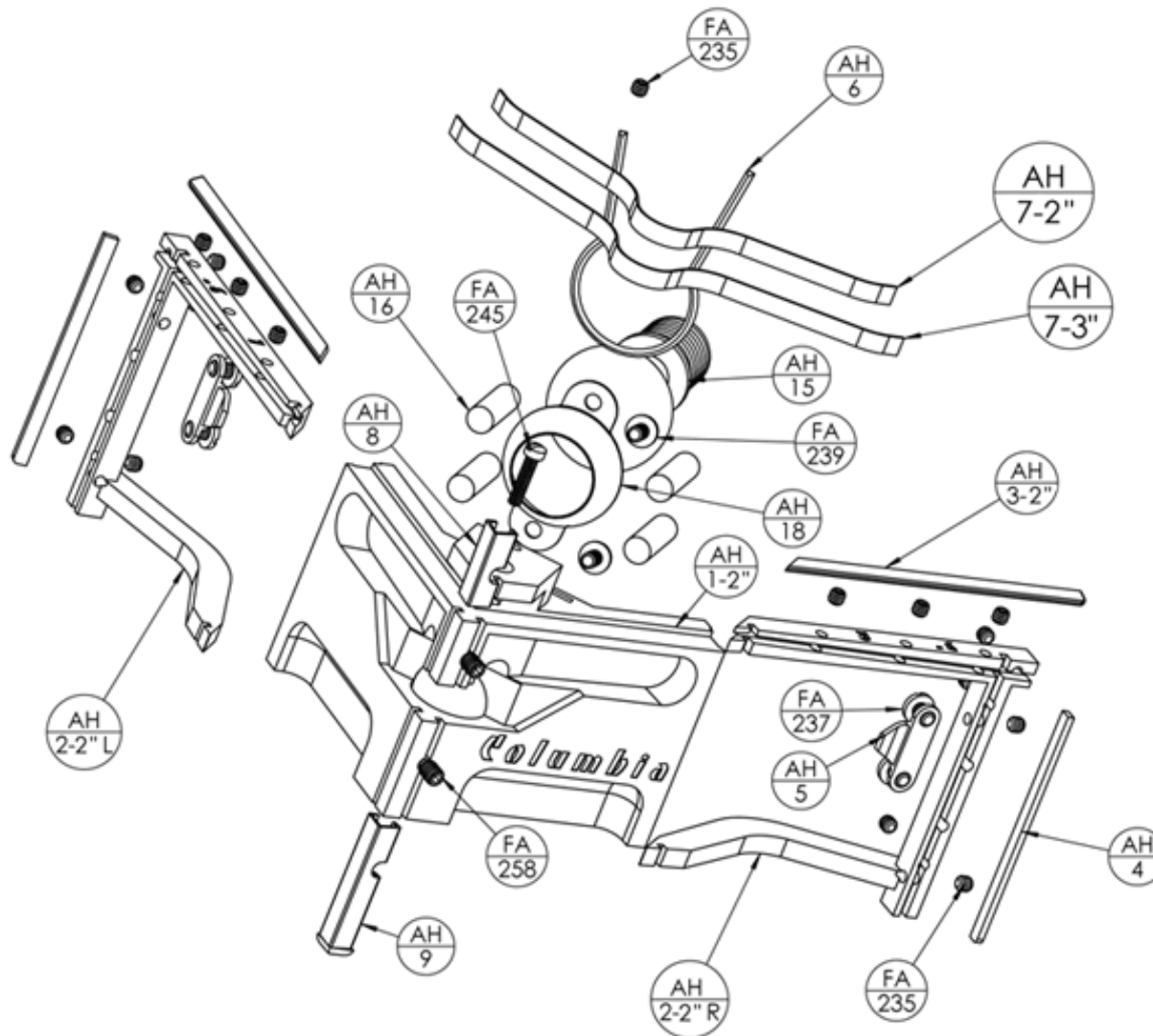




# ANGLE HEAD CORNER FINISHER 2"

M2CF  
EDI-12268

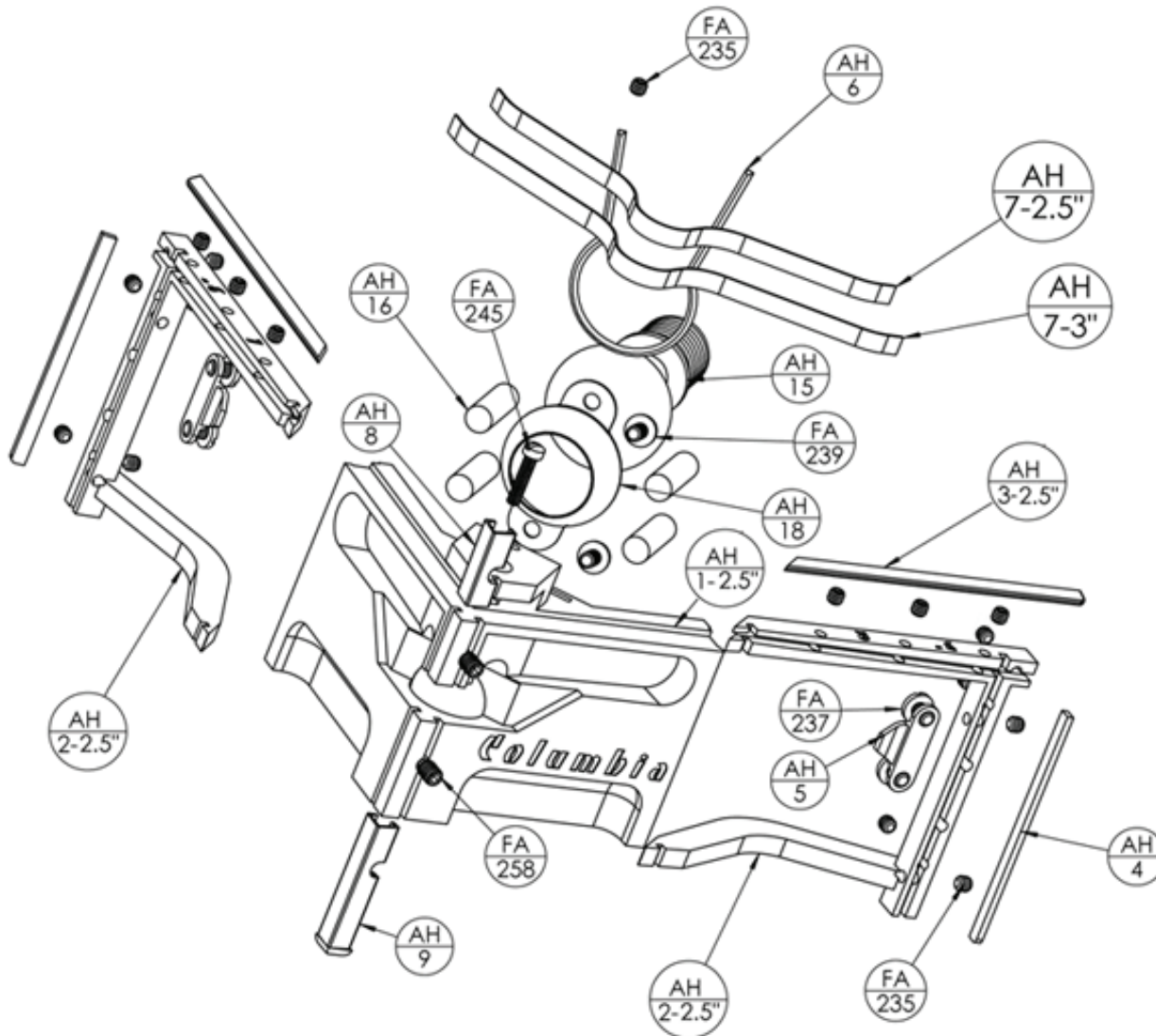


PART #	QUANTITY REQUIRED	ANGLE HEAD CORNER FINISHER (2" M2CF, 2.5" M25CF, 3" M3CF, 3.5" M35CF)
AH #1	1	Head Casting (2", 2.5", 3", 3.5")
AH #2	2	Frame (2", 2.5", 3", 3.5") see sub-assembly
AH #3	2	<b>MAH32</b> - Top Blade (carbide) (2", 2.5", 3", 3.5")
AH #4	2	<b>MAH4</b> - Side Blade
AH #5	2	Frame Retainer Clip
AH #6	1	Funnel Retainer Spring
AH #7-2	1	Frame Tension Spring (2")
AH #7-2.5	2	Frame Tension Spring (2" & 2.5")
AH #8	1	<b>MAH8</b> - Top Retainer Corner Clip
AH #9	1	<b>MAH9</b> - Bottom Retainer Corner Clip
AH #15	1	Handle Connecting Link Ball
AH #16	4	Retaining Spring Backer (to prolong life of AH6)
AH #18	1	Socket Wear Cup
AH #19	0	<b>MAH19</b> - Allen Key
FA #235	17	<b>MFA235</b> - 6/32 x 1/8" Set Screw
FA #236	4	6/32 x 1/8" Binder Slot
FA #239	2	6/32 x 1/4" Binder Slot
FA #245	1	<b>MFA245</b> - 6/32 x 1/2" Fillister Slot
FA #258	2	<b>MFA258</b> - 8-32 x 1/4" Half Dog Set Screw
AHA2	2	FRAME SUB-ASSEMBLY
AH #2	1	Frame (2", 2.5", 3") specify left or right
AH #5	1	Frame Retainer Clip
FA #236	2	6/32 x 1/8" Binder Slot



# ANGLE HEAD CORNER FINISHER 2.5"

M25CF  
EDI-12269

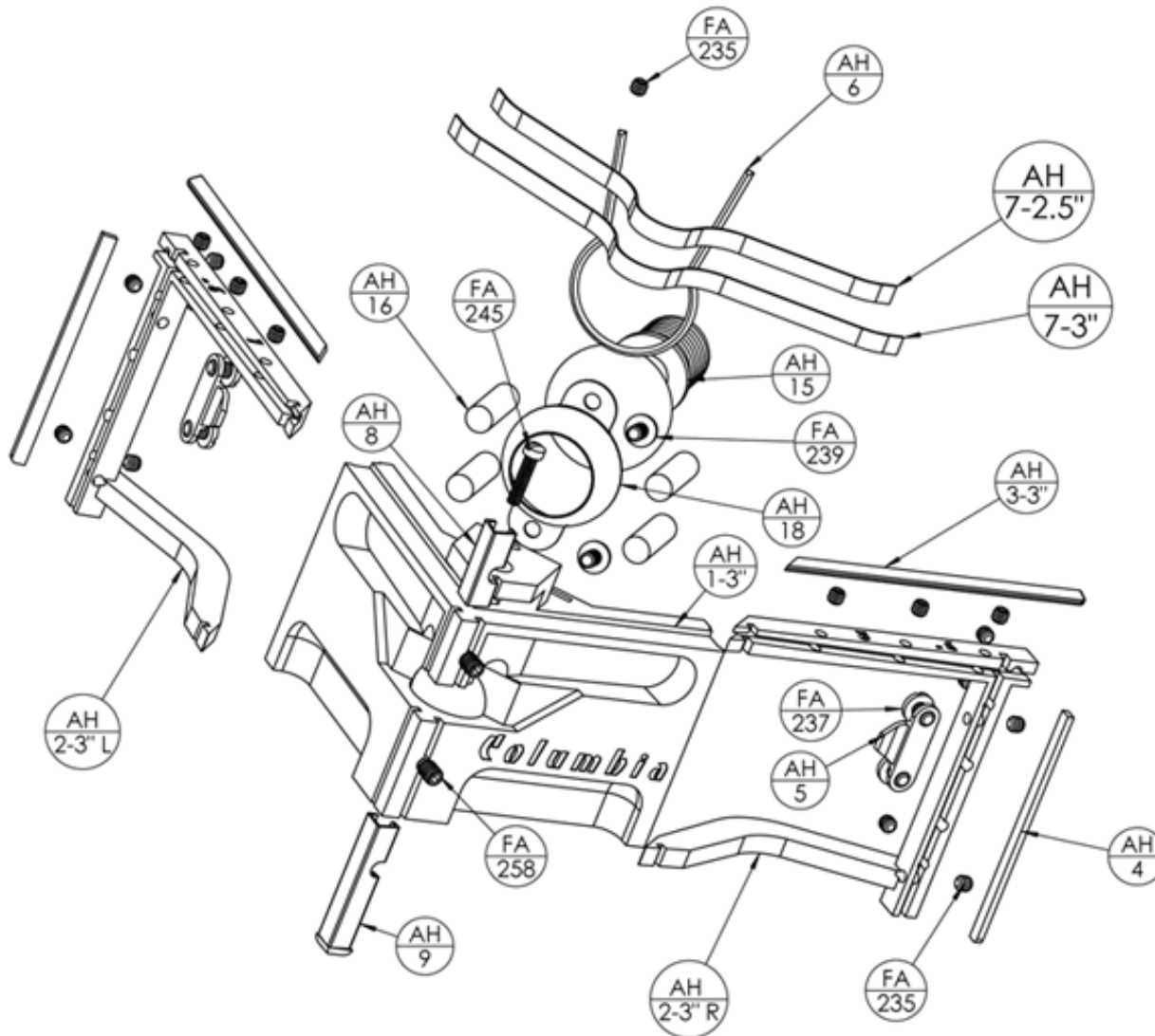


PART #	QUANTITY REQUIRED	ANGLE HEAD CORNER FINISHER (2" M2CF, 2.5" M25CF, 3" M3CF, 3.5" M35CF)
AH #1	1	Head Casting (2", 2.5", 3", 3.5")
AH #2	2	Frame (2", 2.5", 3", 3.5") see sub-assembly
AH #3	2	<b>MAH325</b> - Top Blade (carbide) (2", 2.5", 3", 3.5")
AH #4	2	<b>MAH4</b> - Side Blade
AH #5	2	Frame Retainer Clip
AH #6	1	Funnel Retainer Spring
AH #7-2.5	2	Frame Tension Spring (2" & 2.5")
AH #7-3	2	Frame Tension Spring (2.5" & 3")
AH #8	1	<b>MAH8</b> - Top Retainer Corner Clip
AH #9	1	<b>MAH9</b> - Bottom Retainer Corner Clip
AH #15	1	Handle Connecting Link Ball
AH #16	4	Retaining Spring Backer (to prolong life of AH6)
AH #18	1	Socket Wear Cup
AH #19	0	<b>MAH19</b> - Allen Key
FA #235	17	<b>MFA235</b> - 6/32 x 1/8" Set Screw
FA #236	4	6/32 x 1/8" Binder Slot
FA #239	2	6/32 x 1/4" Binder Slot
FA #245	1	<b>MFA245</b> - 6/32 x 1/2" Filler Slot
FA #258	2	<b>MFA258</b> - 8-32 x 1/4" Half Dog Set Screw
AHA2	2	FRAME SUB-ASSEMBLY
AH #2	1	Frame (2", 2.5", 3") specify left or right
AH #5	1	Frame Retainer Clip
FA #236	2	6/32 x 1/8" Binder Slot



# ANGLE HEAD CORNER FINISHER 3"

M3CF  
EDI-12270

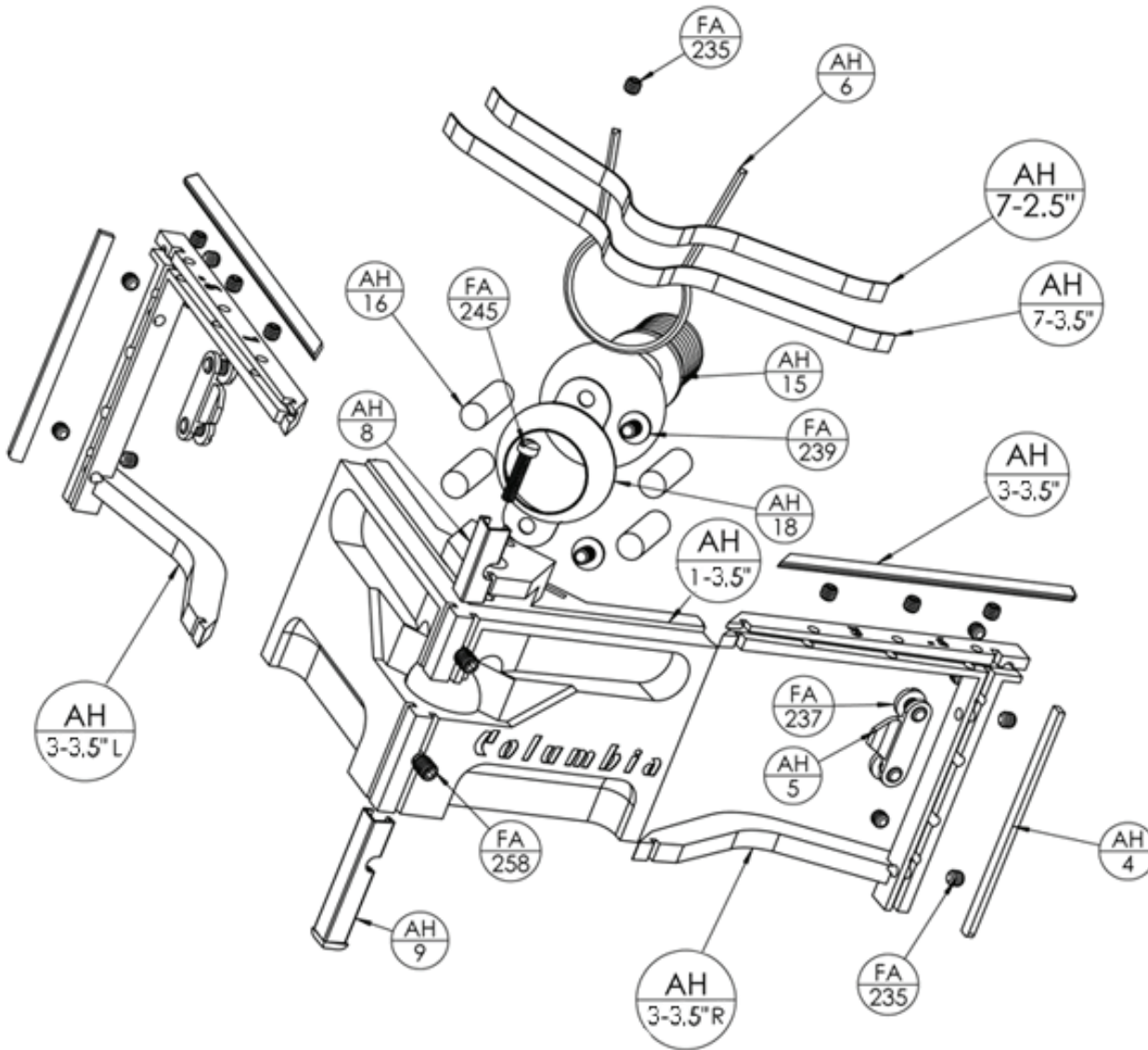


PART #	QUANTITY REQUIRED	ANGLE HEAD CORNER FINISHER (2" M2CF, 2.5" M25CF, 3" M3CF, 3.5" M35CF)
AH #1	1	Head Casting (2", 2.5", 3", 3.5")
AH #2	2	Frame (2", 2.5", 3", 3.5") see sub-assembly
AH #3	2	<b>MAH33</b> - Top Blade (carbide) (2", 2.5", 3", 3.5")
AH #4	2	<b>MAH4</b> - Side Blade
AH #5	2	Frame Retainer Clip
AH #6	1	Funnel Retainer Spring
AH #7-3	2	Frame Tension Spring (2.5" & 3")
AH #7-3.5	2	Frame Tension Spring (3" & 3.5")
AH #8	1	<b>MAH8</b> - Top Retainer Corner Clip
AH #9	1	<b>MAH9</b> - Bottom Retainer Corner Clip
AH #15	1	Handle Connecting Link Ball
AH #16	4	Retaining Spring Backer (to prolong life of AH6)
AH #18	1	Socket Wear Cup
AH #19	0	<b>MAH19</b> - Allen Key
FA #235	17	<b>MFA235</b> - 6/32 x 1/8" Set Screw
FA #236	4	6/32 x 1/8" Binder Slot
FA #239	2	6/32 x 1/4" Binder Slot
FA #245	1	<b>MFA245</b> - 6/32 x 1/2" Fillister Slot
FA #258	2	<b>MFA258</b> - 8-32 x 1/4" Half Dog Set Screw
AHA2	2	FRAME SUB-ASSEMBLY
AH #2	1	Frame (2", 2.5", 3") specify left or right
AH #5	1	Frame Retainer Clip
FA #236	2	6/32 x 1/8" Binder Slot



# ANGLE HEAD CORNER FINISHER 3.5"

M35CF  
EDI-12271



PART #	QUANTITY REQUIRED	ANGLE HEAD CORNER FINISHER (2" M2CF, 2.5" M25CF, 3" M3CF, 3.5" M35CF)
AH #1	1	Head Casting (2", 2.5", 3", 3.5")
AH #2	2	Frame (2", 2.5", 3", 3.5") see sub-assembly
AH #3	2	<b>MAH335</b> - Top Blade (carbide) (2", 2.5", 3", 3.5")
AH #4	2	<b>MAH4</b> - Side Blade
AH #5	2	Frame Retainer Clip
AH #6	1	Funnel Retainer Spring
AH #7-3.5	2	Frame Tension Spring (3" & 3.5")
AH #8A	1	<b>MAH8A</b> - Top Retainer Corner Clip (for 3.5" only)
AH #9A	1	<b>MAH9A</b> - Bottom Retainer Corner Clip (for 3.5" only)
AH #15	1	Handle Connecting Link Ball
AH #16	4	Retaining Spring Backer (to prolong life of AH6)
AH #18	1	Socket Wear Cup
AH #19	0	<b>MAH19</b> - Allen Key
FA #235	17	<b>MFA235</b> - 6/32 x 1/8" Set Screw
FA #236	4	6/32 x 1/8" Binder Slot
FA #239	2	6/32 x 1/4" Binder Slot
FA #245	1	<b>MAH245</b> - 6/32 x 1/2" Fillister Slot
FA #258	2	8-32 x 1/4" Half Dog Set Screw
AHA2	2	FRAME SUB-ASSEMBLY
AH #2	1	Frame (2", 2.5", 3") specify left or right
AH #5	1	Frame Retainer Clip
FA #236	2	6/32 x 1/8" Binder Slot