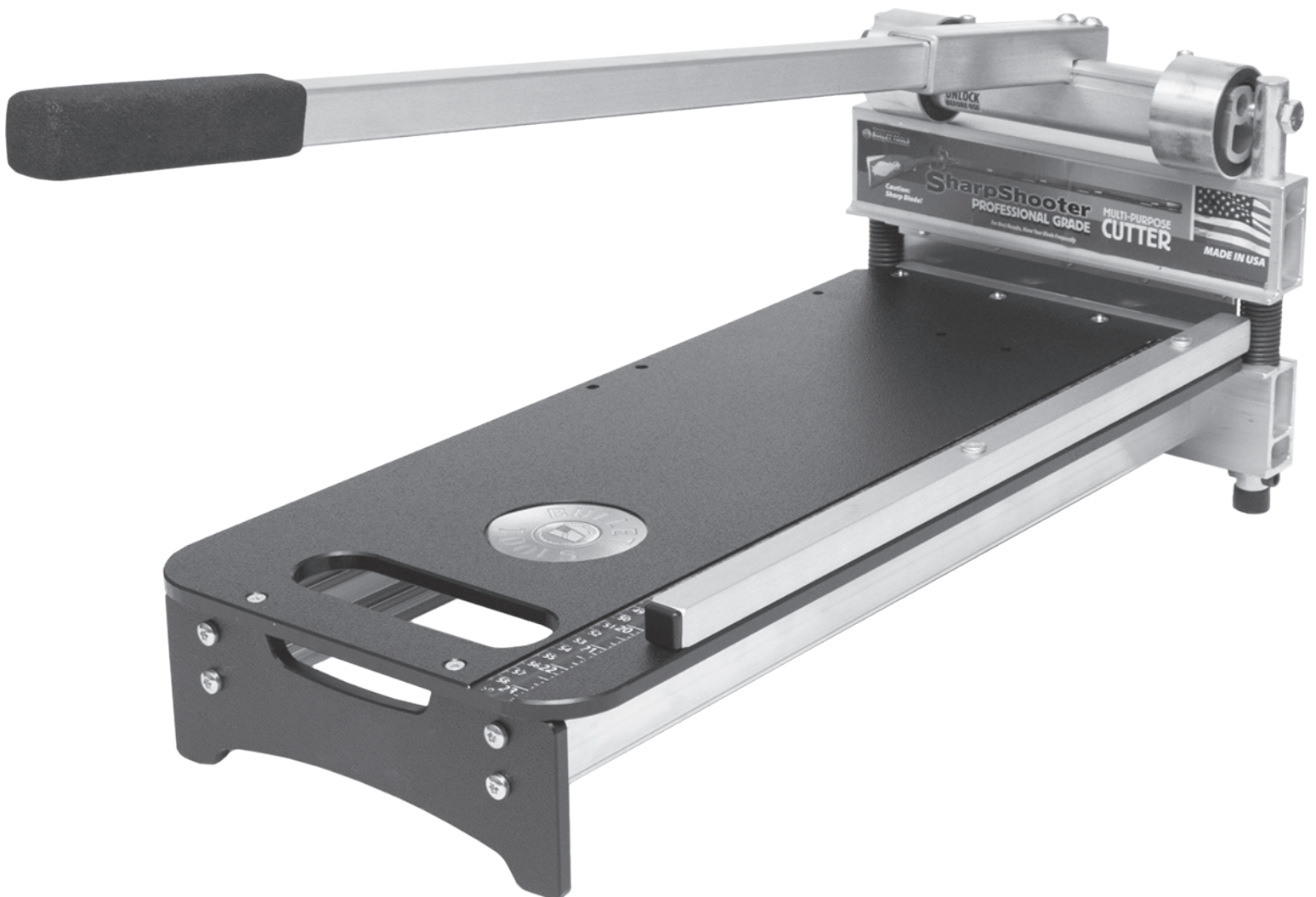


# **BULLET**

BY MARSHALLTOWN®

## **SHARPSHOOTER PRO**

Part# ES00-PR09 | EDI# 29980



104 S. 8th Ave. | Marshalltown, IA  
Phone 800-888-0127 / 641-753-0127 | Fax 800-477-6341 / 641-753-6341  
[www.MARSHALLTOWN.com](http://www.MARSHALLTOWN.com)  
WS2550revA

## INTRODUCTION

Congratulations on your purchase of the Bullet by MARSHALLTOWN SharpShooter Pro. It is proudly Made in the USA, manufactured with the highest-grade materials, and can be used for both flooring and siding. We have designed it with the flooring and siding professional in mind.

Other features of your SharpShooter Pro include:

- Easy, quiet one-cut action
- Ability to cut inside without dust
- Built in ruler for accurate cuts
- Full table with high-density polymer wear surface
- Metal-jacketed polymer bearings
- Aircraft grade aluminum frame
- Dual rails
- Chromium vanadium blade
- Replaceable blade-stop

And can cut material  $\frac{5}{8}$ " thick and 9" wide, including:

- LVT/LVP/WPC/MLF/SPC
- Engineered Hardwood Flooring (solid up to  $\frac{5}{8}$ " and 1250 Janka)
- Laminate Flooring
- Fiber Cement Siding
- Narrow Vinyl Siding

This owner's manual provides the information needed to operate and maintain this SharpShooter Pro. Carefully read and follow all safety and operating instructions in this manual. Ensure every operator of this flooring shear reads this manual before operating the unit. The replacement of any part on this flooring shear with a component other than a manufacturer authorized replacement part may adversely affect the performance, durability, or safety of the product.

**Be sure safety precautions are observed. Read and follow all safety and operating instructions in this operator's manual.** The manufacturer reserves the right to make changes on or add improvements to its product at any time without prior notice or obligation. The manufacturer reserves the right to decide, upon its sole discretion and at any time, to discontinue this product or replacement parts thereof.

This manual covers the SharpShooter Pro. For technical questions or repair parts, please call MARSHALLTOWN customer service at 1-800-888-0127 or visit [www.MARSHALLTOWN.com](http://www.MARSHALLTOWN.com).

# TABLE OF CONTENTS

Introduction.....	2
Safety Precautions.....	3
Safety Decals .....	4
Warranty.....	4
Product Operation .....	5
Cutting Guide .....	5
Maintenance .....	7
Parts Breakdown .....	9
Troubleshooting.....	12

## SAFETY PRECAUTIONS



- DANGER or WARNING safety signs are located near specific hazards.
- General precautions are listed on CAUTION safety signs.

- This notation appears before warnings in the text. It means that the step that follows must be carried out to avoid the possibility of personal injury or death. These warnings are intended to help the technician avoid any potential hazards encountered in the normal service procedures. We strongly recommend that the reader takes advantage of the information provided to prevent personal injury or injury to others.

THE FOLLOWING PRECAUTIONS ARE SUGGESTED TO HELP PREVENT ACCIDENTS. A CAREFUL OPERATOR IS THE BEST OPERATOR. MOST ACCIDENTS CAN BE AVOIDED BY OBSERVING CERTAIN PRECAUTIONS. READ AND TAKE THE FOLLOWING PRECAUTIONS BEFORE OPERATING THIS EQUIPMENT TO HELP PREVENT ACCIDENTS. EQUIPMENT SHOULD BE OPERATED ONLY BY THOSE WHO ARE RESPONSIBLE AND INSTRUCTED TO DO SO.



**CALIFORNIA PROPOSITION 65 WARNING:** This product can expose you to chemicals known to the State of California to cause cancer, birth defects, or other reproductive harm.

- Read all operating and maintenance instructions before operating or servicing the flooring shear.
- A flooring shear is only as safe as its operator. Give complete and undivided attention to the operation of the flooring shear.
- Know how to stop the flooring shear instantly.



**NEVER** operate the flooring shear if any shear components have been removed.

- Keep inexperienced and unauthorized people away from the flooring shear at all times.
- Keep the flooring shear in good operational condition. Loose or damaged parts are dangerous.
- Avoid loose clothing that could get caught in moving parts.



Keep hands and feet away from moving parts.

- Keep all warning, caution and safety instruction labels in good condition. Replace missing, damaged or illegible labels.
- Clear the work area around the shear to prevent tripping or falling onto the shear.
- Operate on level ground to prevent the flooring shear from flipping over.
- DO NOT OPERATE this flooring shear under the influence of alcohol or while taking medication that impairs your reactions.
- Use only factory authorized parts for replacement.
- Wear safety glasses when operating the flooring shear.
- Always use caution when replacing the shear blade.
- Only operate the shear with the approved materials. If extreme force is required to cut a material, it may result in personal injury and/or damage to the flooring shear.
- Wear proper protective clothing while operating flooring shear, including eye, ear, and clothing.
- Handle all solvents and cleaning agents with care and follow manufacturer's instructions on safety and disposal.

## SAFETY DECALS

If your safety decals are damaged, they can be replaced by contacting Customer Service.

Blade Warning Label



Handle Warning Label



## WARRANTY

This product is warranted to the original purchaser only, to be free of defects in material and workmanship under normal use, for one year from purchase date. MARSHALLTOWN shall without charge for parts and labor, repair or replace such parts which are found to be defective. All transportation charges for replacement parts must be borne by the purchaser.

For warranty service, the product must be delivered, with proof of purchase date, to MARSHALLTOWN. Contact MARSHALLTOWN Customer Service to determine the best method of delivering the product that is under warranty. The delivery of the product must be made no later than 30 days after the expiration of the warranty period.

All implied warranties, including those of merchantability and fitness for a particular purpose, are limited to one year from date of purchase by the original retail customer and to the extent permitted by law any and all implied warranties are excluded and disclaimed after the expiration of such period.

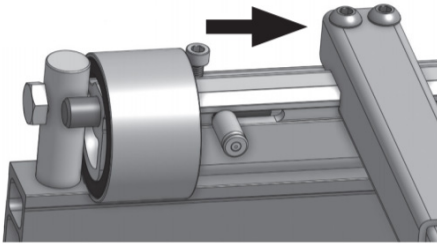
Some states do not allow limitations on how long an implied warranty lasts, or the exclusion or limitations of incidental or consequential damages, so the above limitations or exclusions may not apply to you. This warranty gives you specific legal rights, and you may also have other rights, which vary from state to state.

Exclusion from this warranty:

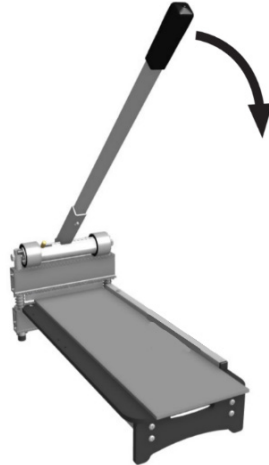
1. All consequential damages, including pickup and delivery of the unit, communication, mileage charges and/or rental of a replacement unit during repairs are not covered under this warranty, or are any loss of income and/or other loss resulting from the failure of the product to function due to a warranty defect.
2. This warranty will not apply when the product becomes inoperative due to misuse, normal wear, neglect, improper maintenance, accident or freight damage; has not been operated and maintained in accordance with the instructions furnished in the Operator's Manual; or has been altered or modified without approval from the factory Service Department.
3. No parts or products are to be returned to the factory without prior written approval from the factory.

## PRODUCT OPERATION

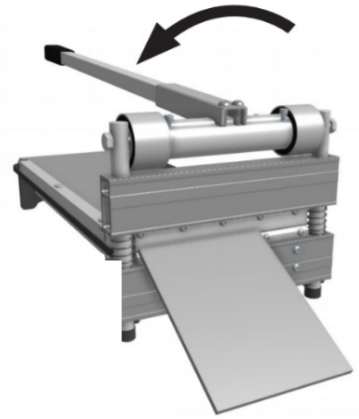
When most materials are cut, the 'drop' piece will have a beveled edge, while the 'keep' piece (the piece left on the table) will have a mostly square edge.



1. Slide the Camlock lever over to unlock shear.



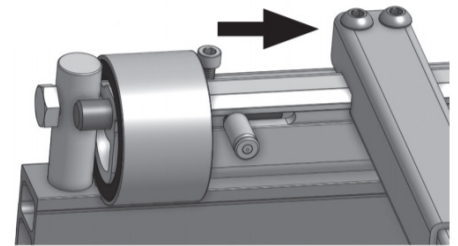
2. Place product on table. It is recommended that you **HOLD MATERIAL IN PLACE** until the cut is complete. Bring handle down until blade touches material.



3. Push handle down until the material is cut completely. Some effort may be required depending of hardness of material.

## SAFETY LOCK

The safety lock can be disengaged by sliding the knob over.



## TRANSPORT

Always re-engage the Safety Lock pin and secure the extended handle in the down position while storing, carrying, or transporting your shear.

## CUTTING GUIDE

The SharpShooter Pro is designed to cut a variety of materials. Some of the most common materials are laminate flooring, engineered hardwood (up to  $\frac{5}{8}$ "/15mm thick, 1250 Janka), LVT/LVP/WPC/MLF/SPC, fiber cement board siding, and narrow vinyl siding.

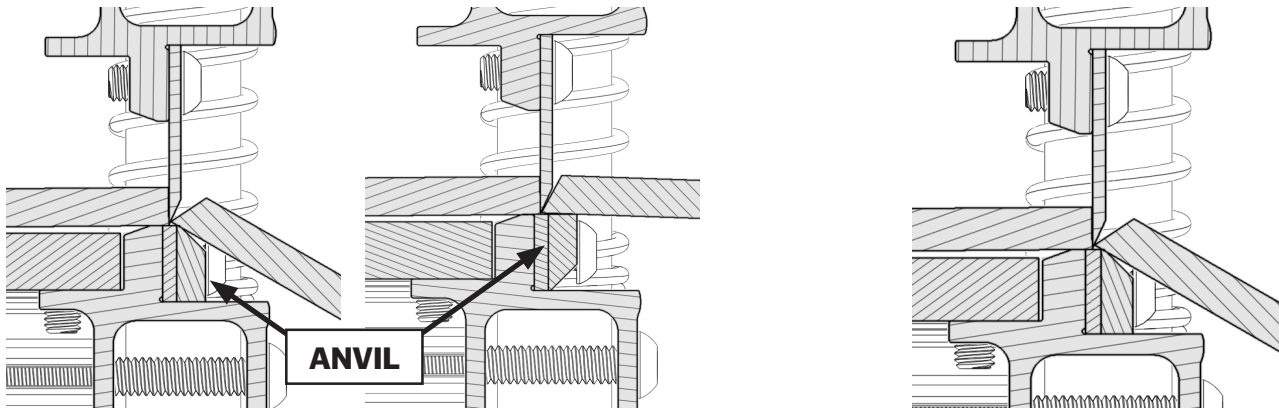
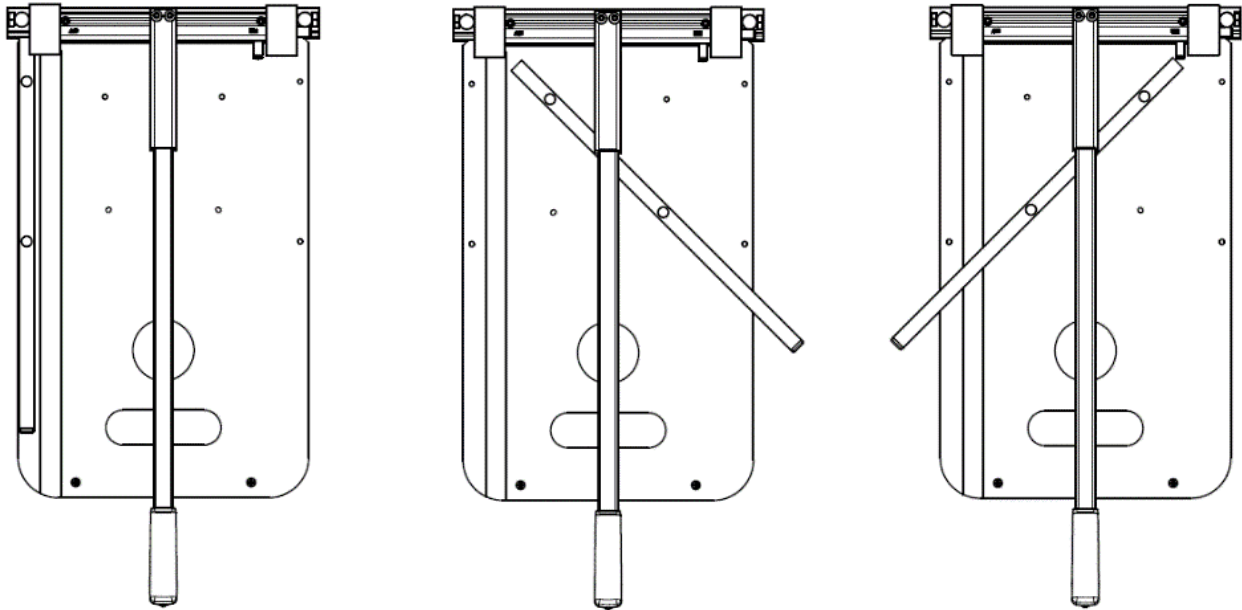
**Note: DO NOT attempt to cut any solid wood, high pressure laminate, or engineered hardwood with a Janka Hardness Rating higher than 1250.**

Note: Even the approved materials may vary greatly in density and hardness. If extreme force is required to cut a material stop immediately, as it could lead to damage to your shear or injury. Attempting to cut unapproved materials will void the warranty.

## 45 DEGREE CUTS

Firmly lift the friction-fit fence to remove it from the table and press back down in the appropriate 45-degree position.

*NOTE: This image is for the Marksman. Your shear may look slightly different.*



### FLOPPY MATERIALS

When cutting floppy materials, flip the anvil: Remove anvil and blade-stop using a 4mm or  $\frac{5}{32}$ " hex key. Reinstall with flat side up instead of bevel. This makes fibrous and floppy materials (examples: cove base, thin vinyl plank) cut more easily.

For Kevlar® fiber reinforced materials (example: rubber belting), put flat side of anvil up above, but also remove plastic blade-stop.

### DOUBLE CUTTING

Most materials shear very well with just one cut. However, some brands of fiber cement siding and other products may require cutting twice to produce a better cut. Simply make your first cut  $\frac{1}{8}$ " to  $\frac{1}{4}$ " (3 to 6mm) longer than your mark, then go back and make your second cut on your mark. This is very useful to create a cleaner cut when a trim molding or transition cannot be used to cover your cut end.

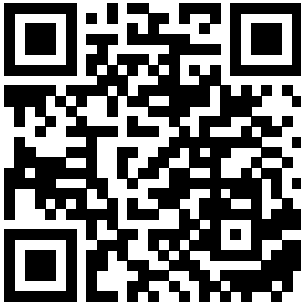


## MAINTENANCE

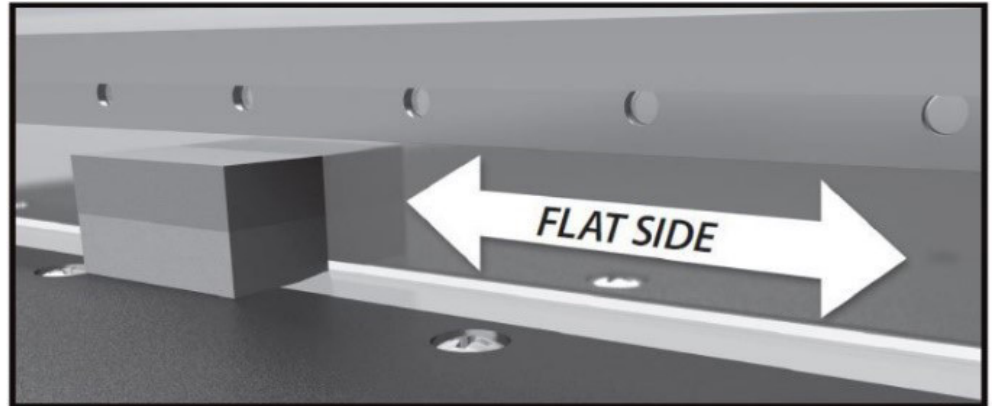
### Honing the Blade

Push the handle down until the blade  $\frac{1}{8}$ " (3mm) above the tabletop. Place the provided Hone Stone against the flat side of the blade. Slide the honing stone from one end of the blade to the other 3-4 times. This will remove any burrs from your blade.

When you first get your shear, you should hone after your 5th cut, then hone your blade every 10th cut for the first 100 cuts until your blade is broken in. From there, you only need to hone once per job. Use caution when honing the blade. The blade is sharp and can easily cause injury. Cut-resistant gloves are recommended when honing the blade.



For more information on honing your blade, scan the QR code or visit [www.marshalltown.com/honing-your-blade](http://www.marshalltown.com/honing-your-blade)



### Sharpening the Blade

The blade can be sharpened to restore a one-sided,  $21^\circ - 22^\circ$  knife edge. It is important to note that the blade must be sharpened only on the beveled side, leaving the flat side flat. We recommend that power grinding only be done professionally, as the blade must be fluid cooled during this process.

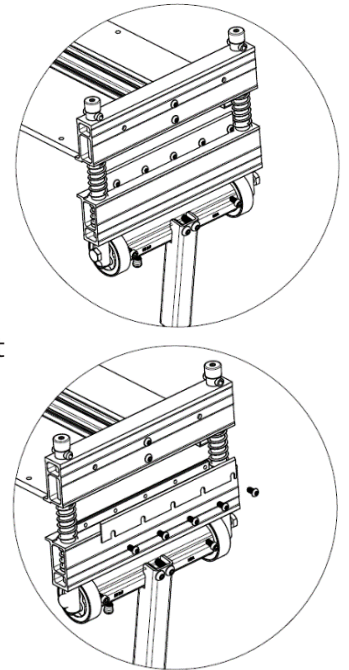


## Replacing the Blade

**WARNING:** Blade is extremely sharp! Use cut-resistant gloves when replacing the blade.

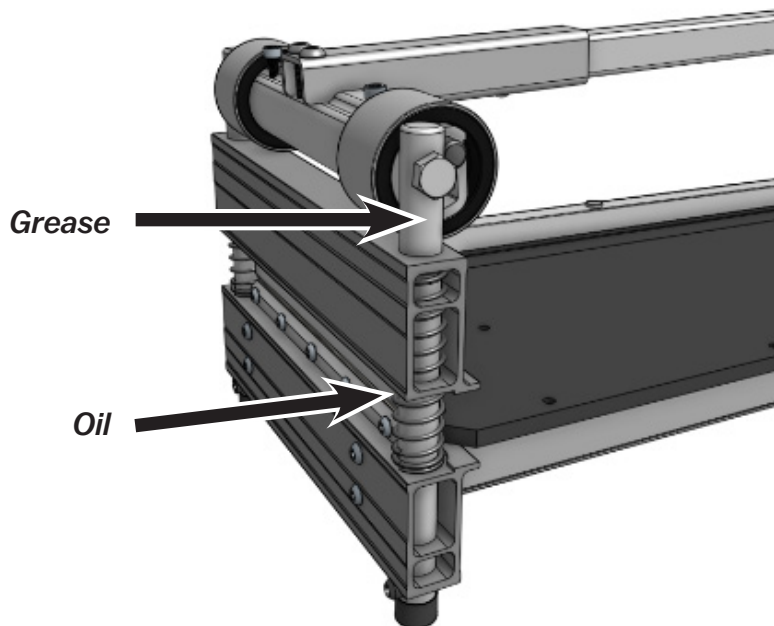
- 1. TURN SHEAR UPSIDE DOWN** Tip: put the shear on the edge of a sturdy table.
- 2. LOOSEN BLADE** Using a Phillips screwdriver, remove the screws.
- 3. REMOVE BLADE** Hold blade by each end and carefully lift out of pocket.
- 4. INSTALL BLADE** Hold blade by each end and carefully place into the blade pocket in the head, with the flat side of the blade facing the table. Be sure that it is firmly seated, and the pocket is clear of debris.
- 5. TIGHTEN THE BLADE** Using a Phillips screwdriver, replace & tighten the screws, starting with the center screw.

*NOTE: This image is for the SharpShooter 2.0. Your shear may look slightly different.*



## Lubrication

After every 100 cuts, it is recommended that the shear be lubricated. Use a light oil and grease (wheel bearing grease) and apply according to the image below. Lubricating the shear will extend the life of the shear and result in easier cutting.







## PARTS BREAKDOWN

REF #	DESCRIPTION	EDI	PART#	QTY
1	EXTRUSION - W-RAIL, EZ LITE RAIL, (AL-52865), 22.375" LONG	WC1005	CON-RAL-W022	2
2	SHARPSHOOTER PRO TAIL	R7320	CON-TAL-PRO9	1
3	SHARPSHOOTER BLADE 2MM D2/M2	WX2579	RAW-BDE-109B	1
4	½" DIAMETER CAM LOCK PIN	R7154	CON-CML-D900	1
5	CONV - U HAN, 2009,1113,PRO -MACHINED 25"	R7204	CON-HAN-U009	1
6	SHARPSHOOTER PRO BASE	R7103	CON-BSE-PRO9	1
7	SHARPSHOOTER PRO TABLE	R7347	CON-TBL-PRO9	1
8	SHARPSHOOTER PRO HEAD	R7228	CON-HED-PRO9	1
9	EX09 BLADE STOP	R7119	CON-BST-EX09	1
10	EX09 ANVIL	R7022	CON-ANV-EX09	1
11	SHARPSHOOTER LITE PIN	WU915	COT-PIN-0400	2
12	¼ x 1¼" FLAT HEAD AL RIVET	WR1553	FAS-RVT-2513	2
13	M6-1.0 X 12 BHSCS ZINC PLT	WR1585	FAS-SCW-5612	10
14	¼-20 X 2" BHSCS ZINC PLT	WR1584	FAS-SCW-5420	4
15	BOLT, M10 X 80 HEX, CLS 10.9, ZINC PLT	WR1510	FAS-BLT-EZ80	2
16	M8-1¼ X 40 BHSCS ZINC PLT	WR1589	FAS-SCW-5840	2
17	HANDLE GRIP, (1 x 1 x 5 x ½")	WK232	GEN-HAN-0868	1
18	RIVETED SHEAR FENCE 19.75IN	R7178	CON-FNC-1000	1
19	M6-1.0 X 16MM PHILLIPS FLAT HEAD ZINC MACHINE SCREW	WR1499	FAS-SCW-8569	4
20	#10 x 1 FHPSMS	WR1556	FAS-SCW-0010	2
21	M6-1 x 25 BH TORX MS ZINC PLT	WR1598	FAS-SCW-7625	4
22	SPRING PIN M10 X 30	WR1548	FAS-PIN-EZ02	2
23	FOOT CAP, ¾" BLACK VINYL, FCR-12	WL793	GEN-CAP-5039	2
24	EZ END CAP, BLACK, FITS SQ TUBE ID OF 0.584 - 0.68"	WL790	GEN-CAP-1075	1
25	SPRING - COMPRESSION - 0.970" OD X 4.0" LONG, 14LBS./IN.	WR1634	GEN-SPR-3575	2
26	SHARPSHOOTER PRO CAMSHAFT	R7142	CON-CAM-PRO9	1
27	BUTTON SPRING, HAIRPIN, 5/16	WR1630	GEN-SPR-0847	1
28	END CAP 0.343 DIAMETER 0.5 HEIGHT NYLON	WL797	GEN-CAP-9375	1
29	M6-1 X 30 SHCS ZP	WR1577	FAS-SCW-2630	1
30	SHARPSHOOTER PRO AND MARKSMAN LOWER HANDLE	R7198	CON-HAN-L100	1
31	M6-1 X 16, SHCS, ZINC PLT	WR1581	FAS-SCW-5021	2
32	BEARING ASSEMBLY, MARKSMAN/SHARPSHOOTER PRO	R7527	SUB-BNG-0150	2

## REPLACEMENT PARTS

REF #	DESCRIPTION	EDI	PART #
3	REPLACEMENT 9" EZ SHEAR BLADE	29788	109B
3,9	SHARPSHOOTER PRO SHEAR MAINTENANCE KIT	29778	PRO-SMK
4,6,8,9,10, 11,13,15,23 ,26,28,29,3 1,32	SHARPSHOOTER PRO REPLACEMENT POWERHEAD	29773	PRO9-RP-PH
9	BLADESTOP REPLACEMENT, 9" X ½" FOR SHARPSHOOTER PRO AND MAGNUM EDGE 9"	29769	869-RP-0009
15	M10 X 80 HEX AXLE BOLTS REPLACEMENT SET	29898	863-RP-EZ80
17	REPLACEMENT HANDLE GRIP, 1" SQ X 5"	29907	868-RP-MAG
10	ANVIL REPLACEMENT, 9" X ½" FOR SHARPSHOOTER AND MAGNUM EDGE 9	29766	854-RP-0009
27	REPLACEMENT HANDLE SPRING PIN, ⅝" 1 SIDED	29860	847-RP
5,17,27	1" SQUARE REPLACEMENT HANDLE UPPER ONLY (SHARPSHOOTER & MARKSMAN)	29881	858-RP-U009
12,18,24	FENCE REPLACEMENT FOR SHARPSHOOTER, MARKSMAN, EZ SHEAR	29870	856-RP-100F
23	FOOT CAP REPLACEMENT (2EA) FOR SHARPSHOOTER, MARKSMAN, EZ SHEAR	29855	838-RP-EZ
30	13" MARKSMAN LOWER HANDLE-MACHINED 7"	R7198	CON-HAN-L100
13	M6-W.O X 12MM ALLEN 10.9 ZINC BUTTON SOCKET CAP SCREW	WR1585	FAS-SCW-5612
16	M8-1.25 X 40MM ALLEN 10.9 ZINC BUTTON SOCKET CAP SCREW	WR1589	FAS-SCW-5840

## TROUBLESHOOTING

### **Before troubleshooting double-check the manual:**

- Is your shear properly assembled?
- Is it being operated correctly?
- Is it properly lubricated?
- Has the blade been honed as recommended?

### **Visually inspect shear, watching for objects that might obstruct the blade or powerhead travel:**

- Foreign material presence between the blade and anvil, in the pin springs or under the cam.
- Check your blade for chips, cracks or burrs.
- Make sure bearings are intact and lubricated. They should not be spinning/moving on the cam during use.

*NOTE: This troubleshooting is for all Bullet shears. If you are uncertain if it pertains to your shear, please contact Marshalltown customer service.*

<b>PROBLEM</b>	<b>CHECK FIRST</b>	<b>CHECK SECOND</b>	<b>CHECK THIRD</b>	<b>CHECK FOURTH</b>
Difficulty cutting	Ensure cam lock is OFF. If equipped, engage power lobes (Model 226)	Make sure handle is FULLY extended	Check blade sharpness/condition	Inspect and lubricate bearings/pins
Not cutting completely through material	Inspect pins for oblong/wallowed orifice	Adjust front stroke stop (MAGNUM shears)	Check bearings for wear/play	Ensure blade is proper nominal height
Blade sticking after completing cuts	Check/remove & replace blade stops if damaged	Ensure blade screws are tight	Remove anvil, turn it over, reinstall	Check for marks on anvil (overbite)
Rough or crushed cuts	Check veneer thickness (max= 1/16")	Check blade condition (chips, burrs, breaks)	Ensure blade is honed and sharp	Review approved materials list
Cuts aren't square	Loosen fence screws, align fence, tighten	Check pins for uneven wear	Inspect blade and anvil/blade-stop for contact	
Handle not returning to open position	Ensure pins are lubricated	Apply grease to contact area of bearing	Lubricate axle bolts	Check springs for breakage
Material won't fit into cut area	Check max thickness of material for your shear	Reverse back stroke stop	Ensure blade is proper nominal height	If you have two bearings, switch which bearing is engaged
Cam lock pin bent/stuck	Do not lift or carry shear by the handle	Return handle slowly to open position - do not "let it fly"	Disengage cam lock pin BEFORE cutting	
Blade chipping	Hone as directed in manual (~25 cuts, then daily)	Do not cut stranded bamboo	Do not cut high pressure laminate	Check veneer thickness (max=1/16")
Pin openings wallowed out / oblong where cam axle passes through	Do not lift or carry shear by the handle	Return handle slowly to open position - do not "let it fly"	Check veneer thickness (max= 1/16")	Review approved materials list
Not cutting to edge of material	Check fence alignment - adjust if needed	Do not "angle" material beyond the blade edge	Ensure angle fence(s) are installed with WIDE edge inward (620 model)	

# **BULLET**

**B Y M A R S H A L L T O W N ®**

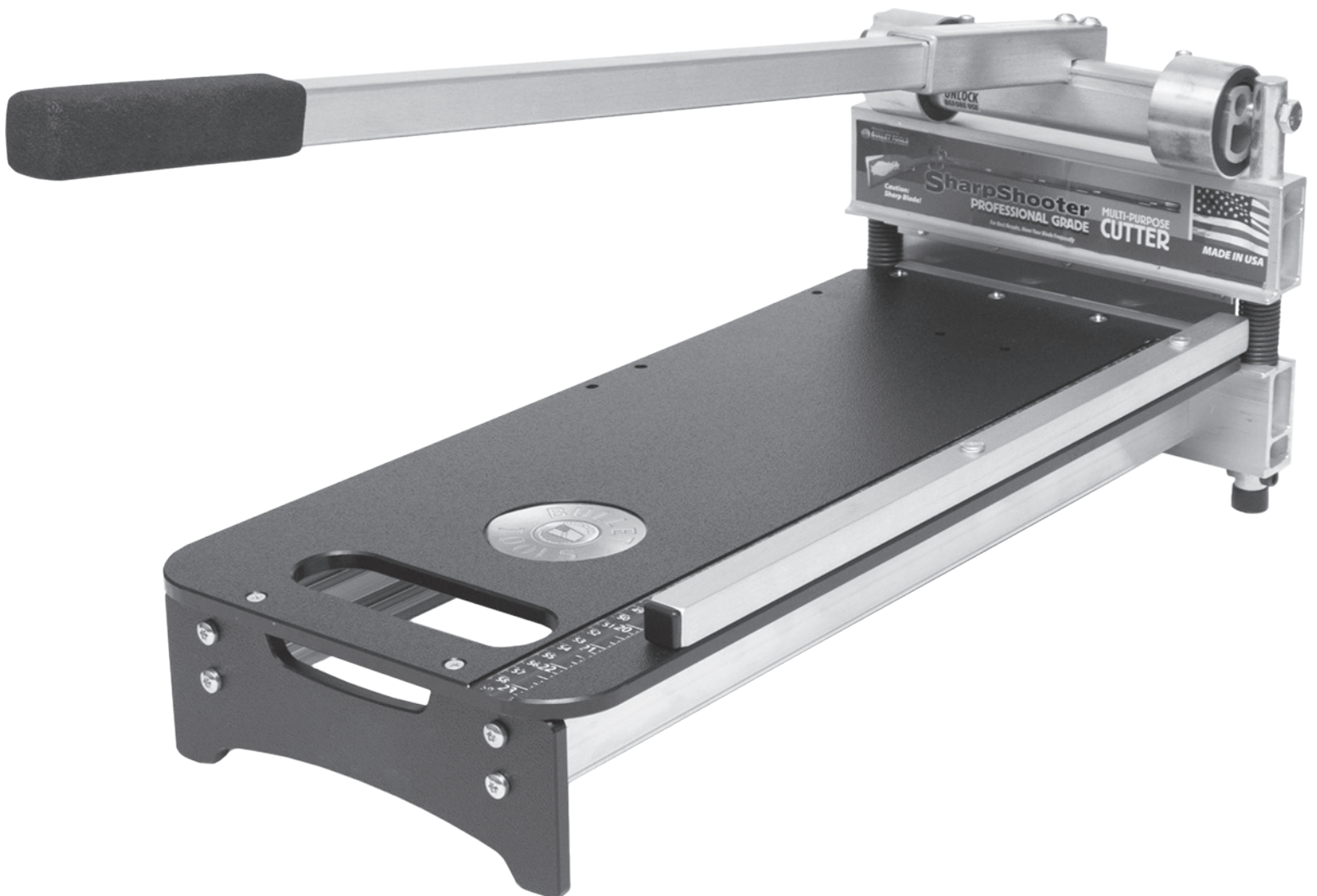
104 S. 8th Ave., Marshalltown, IA  
Phone 800-888-0127 / 641-753-0127  
Fax 800-477-6341 / 641-753-6341  
[www.MARSHALLTOWN.com](http://www.MARSHALLTOWN.com)  
WS2550revA



# **BULLET**

BY MARSHALLTOWN®

**SHARPSHOOTER PRO**  
N.º de pieza ES00-PR09 | N.º EDI 29980



104 S. 8th Ave. | Marshalltown, IA  
Teléfono 800-888-0127 / 641-753-0127 | Fax 800-477-6341 / 641-753-6341  
[www.MARSHALLTOWN.com](http://www.MARSHALLTOWN.com)  
WS2550revA

# INTRODUCCIÓN

Felicitaciones por haber comprado la cortadora SharpShooter Pro de Bullet de MARSHALLTOWN. Este producto está orgullosamente hecho en Estados Unidos, fabricado con materiales de la más alta calidad y puede ser usado para la instalación de pisos y revestimientos. Lo hemos diseñado teniendo en mente a los profesionales en pisos y revestimientos.

Otras características de la cortadora SharpShooter Pro incluyen:

- Acción sencilla y silenciosa de un solo corte
- Capacidad de cortar en interiores sin dejar polvo
- Regla integrada para cortes precisos
- Mesa completa con una superficie de desgaste con polímero de alta densidad
- Cojinetes de polímero con chaqueta de metal
- Bastidor de aluminio de grado aeroespacial
- Rieles dobles
- Hoja de cromo-vanadio
- Tope de hoja reemplazable

Puede cortar material de  $\frac{5}{8}$ " (15 mm) de grosor y 9" (229 mm) de ancho, incluyendo:

- LVT/LVP/WPC/MLF/SPC
- Piso de madera de diseño (con una solidez de hasta  $\frac{5}{8}$ " y una dureza Janka de 1250)
- Piso laminado
- Revestimiento de fibrocemento
- Revestimiento de vinil angosto

Este manual del propietario proporciona la información necesaria para la operación y el mantenimiento de la cortadora SharpShooter Pro. Lea detenidamente y siga todas las instrucciones de operación y seguridad que se encuentran en este manual. Asegúrese de que todos los operadores de esta cortadora de pisos lean este manual antes de utilizar la unidad. El reemplazo de cualquier pieza de esta cortadora de pisos con un componente que no sea una pieza de repuesto autorizada por el fabricante puede afectar negativamente el desempeño, durabilidad o seguridad del producto.

**Asegúrese de seguir las precauciones de seguridad. Lea y siga todas las instrucciones de operación y seguridad que se encuentran en este manual del operador.** El fabricante se reserva el derecho de hacer cambios o añadir mejoras a su producto en cualquier momento y sin previo aviso u obligación. El fabricante se reserva el derecho a decidir, a su entera discreción y en cualquier momento, discontinuar este producto o las piezas de repuesto del mismo.

Este manual abarca la cortadora SharpShooter Pro. Para preguntas técnicas o piezas de repuesto, llame a servicio al cliente de MARSHALLTOWN al 1-800-888-0127 o visite [www.MARSHALLTOWN.com](http://www.MARSHALLTOWN.com).

# CONTENIDO

Introducción.....	2
Precauciones de seguridad .....	3
Calcomanías de seguridad.....	4
Garantía .....	4
Operación del producto.....	5
Guía de corte .....	5
Mantenimiento .....	7
Descripción de las piezas .....	9
Resolución de problemas.....	12



## PRECAUCIONES DE SEGURIDAD



• Los letreros de seguridad PELIGRO o  ADVERTENCIA se encuentran ubicados cerca de riesgos específicos.



• Las medidas de seguridad generales se enumeran en los letreros de seguridad de PRECAUCIÓN.

- Esta nota aparece antes de las advertencias en el texto. Esto significa que el paso que sigue debe llevarse a cabo para evitar la posibilidad de una lesión personal o la muerte. Estas advertencias pretenden ayudar al técnico a evitar cualquier riesgo potencial que se encuentre en los procedimientos de servicio normales. Recomendamos enfáticamente que el lector aproveche la información proporcionada para prevenir lesiones personales o lesiones a otros.

LAS SIGUIENTES PRECAUCIONES SE SUGIEREN PARA AYUDAR A PREVENIR ACCIDENTES. UN OPERADOR CUIDADOSO ES EL MEJOR OPERADOR. LA MAYORÍA DE LOS ACCIDENTES PUEDEN EVITARSE SIGUIENDO CIERTAS PRECAUCIONES. LEA Y TOMÉ LAS SIGUIENTES PRECAUCIONES ANTES DE OPERAR ESTE EQUIPO A FIN DE AYUDAR A PREVENIR ACCIDENTES. EL EQUIPO DEBE SER OPERADO SOLO POR LAS PERSONAS QUE SON RESPONSABLES E INSTRUIDAS PARA HACERLO.

 **ADVERTENCIA DE LA PROPUESTA 65 DE CALIFORNIA:** Este producto puede exponerlo a químicos que en el estado de California se conocen como causantes de cáncer, defectos de nacimiento u otros daños reproductivos.

- Lea todas las instrucciones de operación y mantenimiento antes de operar o dar servicio a la cortadora de pisos.
- Una cortadora de pisos es segura siempre que el operador la utilice con seguridad. Preste completa atención a la operación de la cortadora de pisos.
- Sepa cómo detener la cortadora de pisos al instante.



**NUNCA** opere la cortadora de pisos si cualquiera de los componentes de corte se han extraído.

- Mantenga a las personas sin experiencia y no autorizadas lejos de la cortadora de pisos en todo momento.
- Mantenga la cortadora de pisos en buenas condiciones operativas. Las piezas sueltas o dañadas son peligrosas.
- Evite usar ropa holgada que pudiera ser atrapada por las piezas móviles.



Mantenga las manos y los pies lejos de las piezas móviles.

- Mantenga todas las etiquetas de advertencia, precaución e instrucciones de seguridad en buenas condiciones. Reemplace las etiquetas faltantes, dañadas o ilegibles.
- Despeje el área de trabajo alrededor de la cortadora a fin de evitar tropiezos o caídas sobre la cortadora.
- Opere sobre un suelo nivelado para evitar que la cortadora de piso se voltee.
- **NO OPERE** esta cortadora de pisos bajo la influencia de alcohol o mientras toma medicamentos que deterioran sus reacciones.
- Use únicamente piezas autorizadas de fábrica para repuestos.
- Use lentes de seguridad cuando opere la cortadora de pisos.
- Siempre tenga cuidado al reemplazar la hoja cortadora.
- Solo opere la cortadora con los materiales aprobados. Si se requiere una fuerza extrema para cortar un material, puede resultar en lesiones personales y/o daño a la cortadora de pisos.
- Use ropa de protección apropiada mientras opera la cortadora de pisos, incluyendo protección de ojos, oídos y ropa.
- Maneje todos los solventes y agentes de limpieza con cuidado y siga las instrucciones del fabricante sobre la seguridad y la disposición.

## CALCOMANÍAS DE SEGURIDAD

Si las calcomanías de seguridad están dañadas, pueden reemplazarlas comunicándose con servicio al cliente.

Etiqueta de advertencia de la hoja



Etiqueta de advertencia del mango



## GARANTÍA

Este producto está garantizado solo al comprador original frente a defectos en material y mano de obra bajo un uso normal, por un año a partir de la fecha de compra. MARSHALLTOWN reparará o reemplazará, sin cargo alguno por piezas y mano de obra, dichas piezas que se determinen como defectuosas. Todos los cargos de transportación de las piezas de repuesto deberán ser pagados por el comprador.

Para obtener el servicio de garantía, el producto debe ser enviado, con prueba de la fecha de compra, a MARSHALLTOWN. Comuníquese con el servicio al cliente de MARSHALLTOWN para determinar el mejor método para enviar el producto que está bajo la garantía. El envío del producto debe realizarse a más tardar 30 días después del vencimiento del periodo de garantía.

Todas las garantías implícitas, incluyendo aquellas de comerciabilidad e idoneidad para una finalidad en especial, están limitadas a un año a partir de la fecha de compra por parte del cliente minorista original y en la medida que lo permita la ley, además se excluyen y se renuncia a todas las garantías implícitas después del vencimiento de dicho periodo.

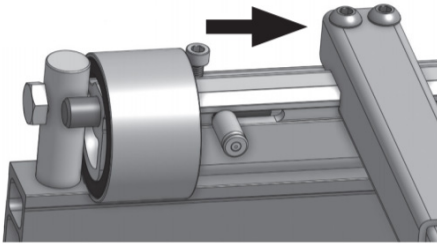
Algunos estados no permiten limitaciones sobre la duración del periodo de una garantía implícita, o la exclusión o limitaciones de daños indirectos o consecuentes, por lo que las limitaciones o exclusiones mencionadas pueden no aplicar a su caso. Esta garantía le otorga derechos legales específicos y es posible que usted tenga otros derechos que varían de estado a estado.

Exclusión de esta garantía:

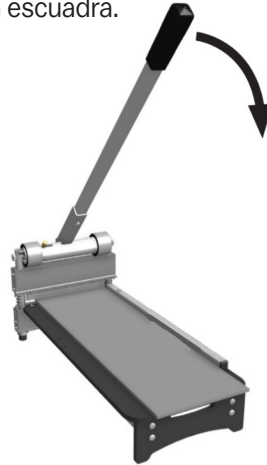
1. Todos los daños consecuentes, incluyendo la recolección y entrega de la unidad, comunicación, cargos por kilometraje y/o renta de una unidad de reemplazo durante reparaciones no están cubiertos por esta garantía ni tampoco cualquier pérdida de ingresos y/u otras pérdidas que resulten por la falla de funcionamiento del producto debido a un defecto cubierto por la garantía.
2. Esta garantía no aplicará cuando el producto se vuelva inoperativo debido al mal uso, desgaste normal, negligencia, mantenimiento inadecuado, accidente o daño en el transporte; no ha sido operado y mantenido de conformidad con las instrucciones proporcionadas en el manual del operador o ha sido alterado o modificado sin la aprobación del Departamento de Servicio de la fábrica.
3. Ninguna pieza o producto debe regresarse a la fábrica sin la aprobación previa por escrito de la fábrica.

## OPERACIÓN DEL PRODUCTO

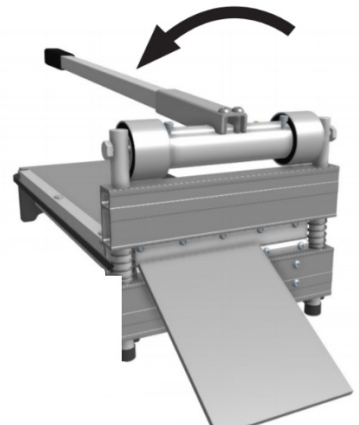
Al cortar la mayoría de los materiales, la pieza que 'cae' tendrá un borde biselado, mientras que la pieza a 'conservar' (la pieza que queda en la mesa) tendrá un borde mayormente en escuadra.



1. Deslice la palanca del Camlock hacia un costado para desbloquear la cortadora.



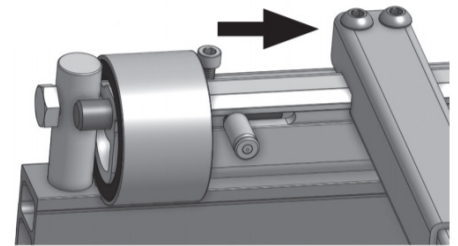
2. Coloque el producto sobre la mesa. Se recomienda SOSTENER EL MATERIAL EN SU LUGAR hasta que se haya completado el corte. Baje el mango hasta que la hoja toque el material.



3. Haga presión sobre el mango hasta cortar el material por completo. Puede ser necesario hacer un poco de esfuerzo, según la dureza del material.

## PASADOR DE SEGURIDAD

El pasador de seguridad puede ser liberado al deslizar la perilla.



## TRANSPORTE

Siempre coloque el pasador de seguridad y asegure el mango extendido en posición baja al almacenar, cargar o transportar la cortadora.

## GUÍA DE CORTE

La cortadora SharpShooter Pro está diseñada para cortar una variedad de materiales. Algunos de los materiales más comunes son pisos laminados, piso de madera de diseño (de hasta  $\frac{5}{8}$ "/15 mm de grosor y una dureza Janka de 1250), LVT/LVP/WPC/MLF/SPC, revestimiento de placas de fibrocemento y revestimiento de vinil angosto.

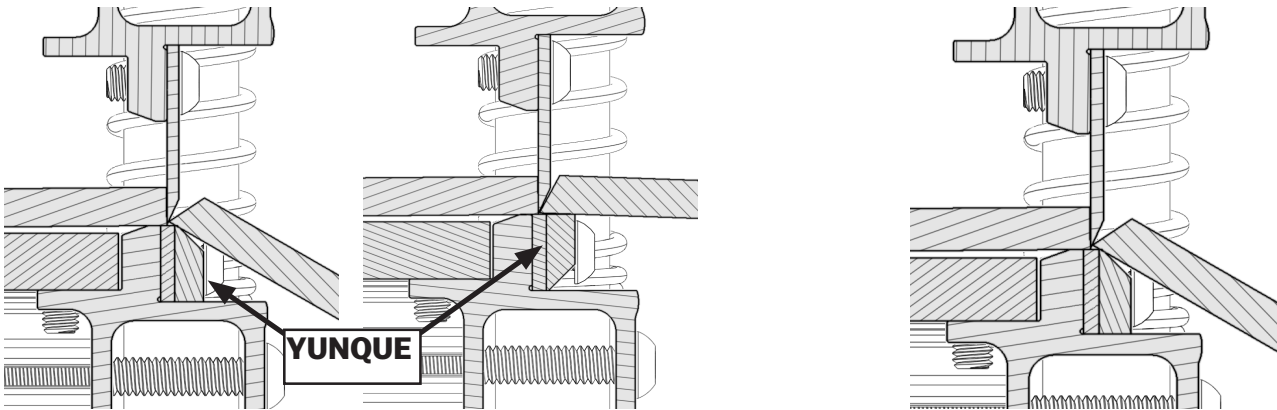
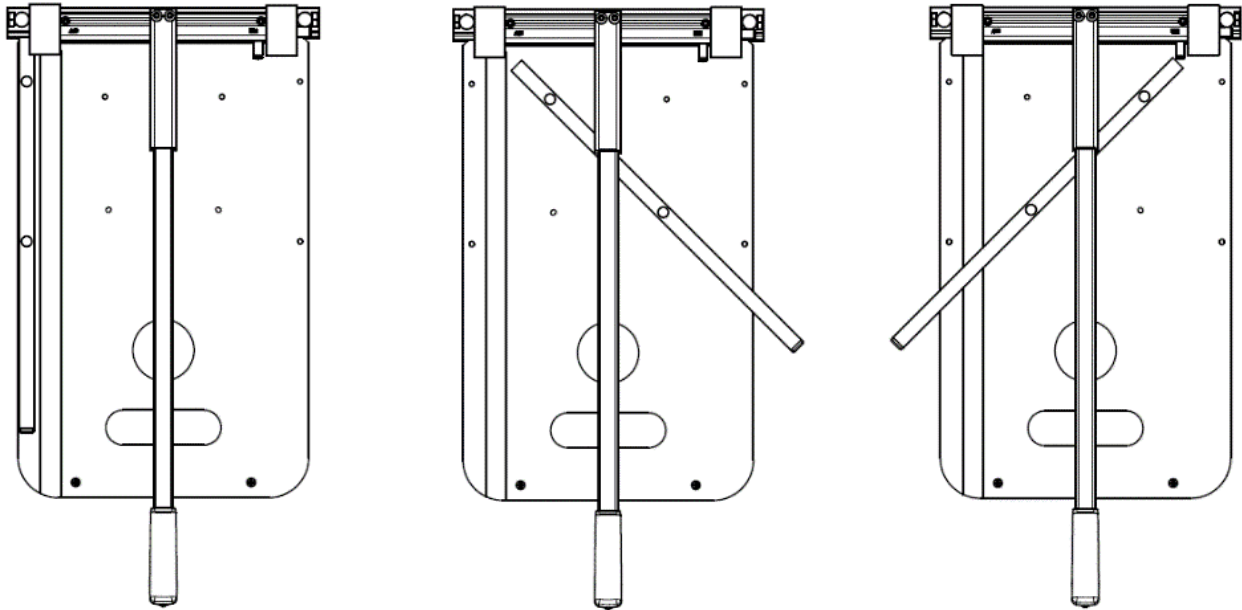
**Nota: NO intente cortar madera sólida, laminado de alta presión o piso de madera de diseño con una clasificación de dureza Janka mayor a 1250.**

Nota: Incluso los materiales aprobados pueden variar mucho en densidad y dureza. Si se requiere una fuerza extrema para cortar un material deténgase inmediatamente, ya que pudiera resultar en daños a la cortadora o lesiones. Intentar cortar materiales no aprobados anulará la garantía.

## CORTES DE 45 GRADOS

Levante con firmeza la guía de ajuste por fricción para retirarla de la mesa y haga presión hacia abajo en la posición de 45 grados apropiada.

*NOTA: Esta imagen es de la cortadora Marksman. Su cortadora puede verse un poco diferente.*



## MATERIALES FLEXIBLES

Voltee el yunque al cortar materiales flexibles: Retire el yunque y el tope de la hoja usando una llave hexagonal de 4 mm o 5/32". Reinstale con el lado plano hacia arriba en lugar del bisel. Esto hace que los materiales fibrosos y flexibles (por ejemplo: zoclo coextruido, tablón de vinil delgado) son más fáciles de cortar.

Para los materiales reforzados con fibras de Kevlar® (por ejemplo: bandas de caucho), coloque el lado plano del yunque por encima, pero recuerde retirar el tope plástico de la hoja.

## DOBLE CORTE

Se puede atravesar muy bien la mayoría de los materiales con un solo corte. Sin embargo, algunas marcas de revestimiento de fibrocemento y otros productos pueden requerir un corte doble para producir un corte mejor. Simplemente haga su primer corte de 1/8" a 1/4" (de 3 a 6 mm) más largo que la marca, después regrese y haga un segundo corte sobre la marca. Esto es muy útil para crear un corte más limpio cuando no se puede usar una moldura o transición para cubrir el extremo de corte.

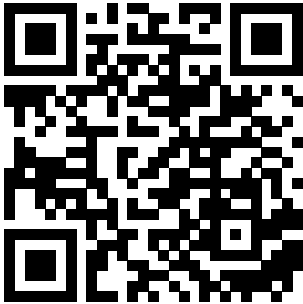


## MANTENIMIENTO

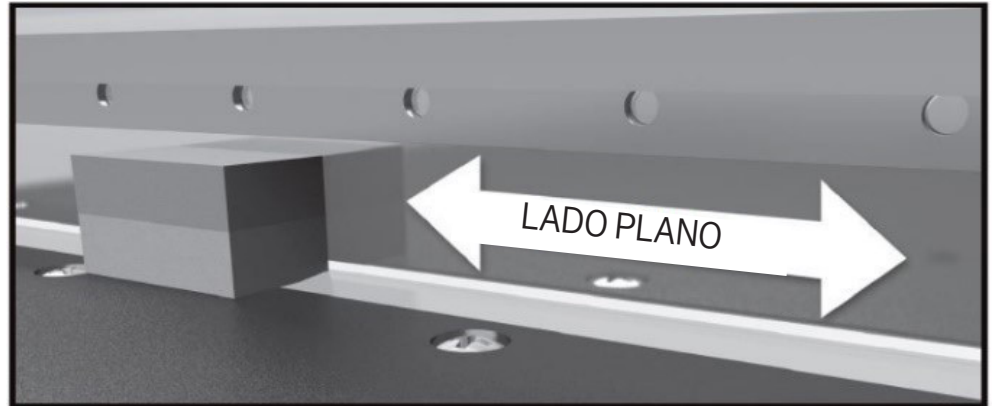
### Cómo afilar la hoja

Empuje el mango hacia abajo hasta que la hoja esté  $\frac{1}{8}$ " (3 mm) por encima de la parte superior de la mesa. Coloque la piedra de esmerilar contra el lado plano de la hoja. Deslice la piedra de esmerilar desde un extremo de la hoja al otro 3 a 4 veces. Esto retirará cualquier rebaba de la hoja.

Cuando reciba su cortadora por primera vez, debería afilarla después de su quinto corte, después afile la hoja cada décimo corte durante los primeros 100 cortes hasta que la hoja se haya asentado. A partir de ahí, solo tendrá que afilarla una vez por trabajo. Tenga cuidado al afilar la hoja. La hoja está afilada y puede causar lesiones fácilmente. Se recomienda usar guantes resistentes a cortes cuando afile la hoja.



Si desea obtener más información sobre cómo afilar su hoja, escanee el código QR o visite [www.marshalltown.com/honing-your-blade](http://www.marshalltown.com/honing-your-blade)



### Afilado de la hoja

La hoja puede afilarse para restaurar un filo unilateral de  $21^\circ$  o  $22^\circ$ . Es importante tener en cuenta que la hoja debe estar afilada solo por el lado biselado, conservando la parte plana de esa manera. Se recomienda que el afilado a presión solo se haga profesionalmente, ya que la hoja debe ser enfriada con fluido durante este proceso.



## Cómo reemplazar la hoja

**ADVERTENCIA:** ¡La hoja está extremadamente afilada! Use guantes resistentes al corte cuando reemplace

la hoja.

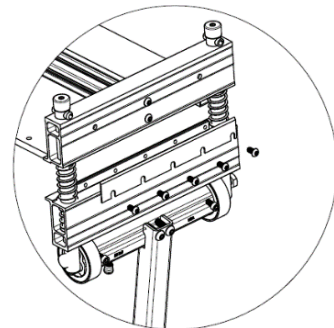
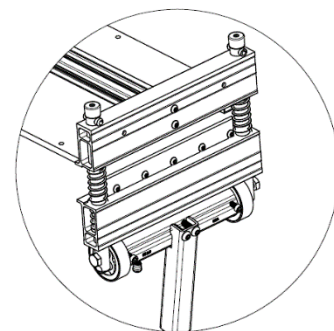
**1. VOLTEE LA CORTADORA BOCA ABAJO** Consejo: coloque la cortadora al borde de una mesa firme.

**2. AFLOJE LA HOJA** Use un destornillador Phillips para retirar los tornillos.

**3. RETIRE LA HOJA** Sostenga la hoja por cada extremo y levante con cuidado hasta sacarla de la cavidad.

**4. INSTALE LA HOJA** Sostenga la hoja por cada extremo y colóquela con cuidado dentro de la cavidad para la hoja, manteniendo el lado plano de la hoja orientado hacia la mesa. Asegúrese de que esté firmemente asentada y la cavidad esté libre de residuos.

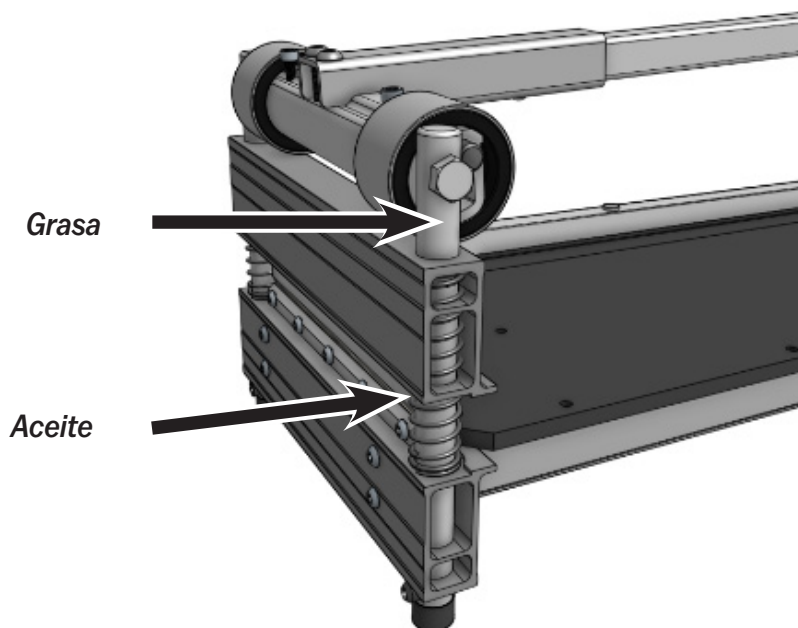
**5. APRIETE LA HOJA** Use un destornillador Phillips para reemplazar y apretar los tornillos, comenzando por el tornillo central.



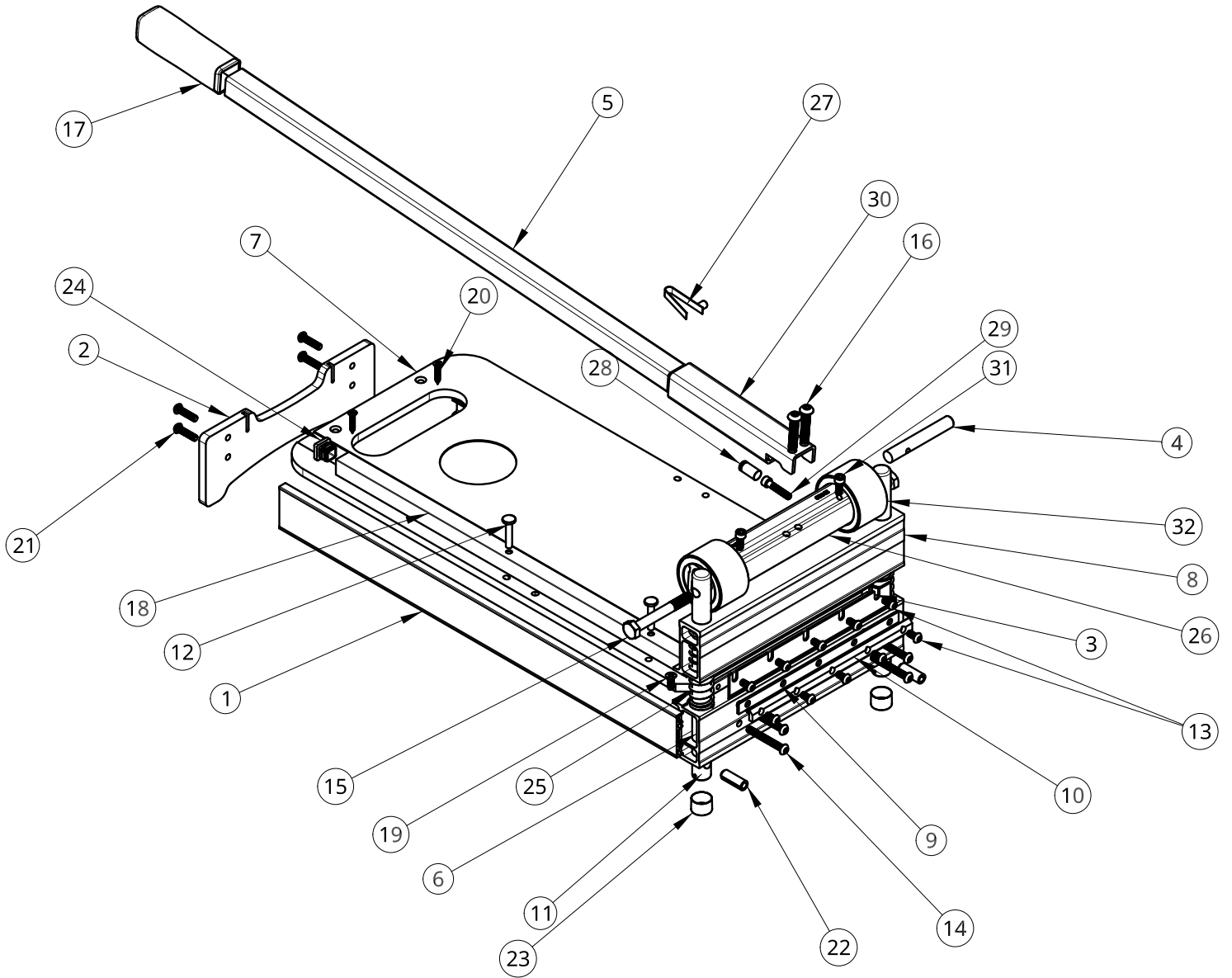
*NOTA: Esta imagen es de la cortadora SharpShooter 2.0. Su cortadora puede verse un poco diferente.*

## Lubricación

Después de cada 100 cortes, se recomienda lubricar la cortadora. Use un aceite o grasa ligera (grasa para cojinete de ruedas) y aplíquela de conformidad con la siguiente imagen. La lubricación prolongará la vida útil de la cortadora y resultará en cortes más fáciles.



# DESCRIPCIÓN DE LAS PIEZAS



## DESCRIPCIÓN DE LAS PIEZAS

N.º de REF	DESCRIPCIÓN	EDI	No. DE PIEZA	CANT.
1	RIEL DE LA CORTADORA 22% X 2, 0.95" C2C	WC1005	CON-RAL-W022	2
2	COLA DE LA CORTADORA SHARPSHOOTER PRO	R7320	CON-TAL-PRO9	1
3	HOJA PARA SHARPSHOOTER DE 2 MM D2/M2	WX2579	RAW-BDE-109B	1
4	PASADOR DE INMOVILIZACIÓN DE LEVA DE ½" DE DIÁMETRO	R7154	CON-CML-D900	1
5	MANGO SUPERIOR 009	R7204	CON-HAN-U009	1
6	BASE DE LA CORTADORA SHARPSHOOTER PRO	R7103	CON-BSE-PRO9	1
7	MESA DE CORTADORA SHARPSHOOTER PRO	R7347	CON-TBL-PRO9	1
8	CABEZAL DE LA CORTADORA SHARPSHOOTER PRO	R7228	CON-HED-PRO9	1
9	TOPE DE HOJA EX09	R7119	CON-BST-EX09	1
10	YUNQUE EX09	R7022	CON-ANV-EX09	1
11	PASADOR DE LA CORTADORA SHARPSHOOTER LITE	WU915	COT-PIN-0400	2
12	REMACHE DE ALUMINIO DE CABEZA PLANA DE ¼ x 1¼"	WR1553	FAS-RVT-2513	2
13	TORNILLOS DE CABEZA REDONDA DE HEXÁGONO INTERIOR DE ZINC GALVANIZADO M6-1.0 X 12	WR1585	FAS-SCW-5612	10
14	TORNILLOS DE CABEZA REDONDA DE HEXÁGONO INTERIOR DE ZINC GALVANIZADO ¼-20 X 2"	WR1584	FAS-SCW-5420	4
15	PERNO, M10 X 80 HEX, CLS 10.9, ZINC GALVANIZADO	WR1510	FAS-BLT-EZ80	2
16	TORNILLOS DE CABEZA REDONDA DE HEXÁGONO INTERIOR DE ZINC GALVANIZADO M8-1¼ X 40	WR1589	FAS-SCW-5840	2
17	AGARRADERA PARA MANGO, (1 x 1 x 5 x ½")	WK232	GEN-HAN-0868	1
18	GUÍA DE LA CORTADORA REMACHADA DE 19.75 IN	R7178	CON-FNC-1000	1
19	TORNILLOS MECÁNICOS DE CABEZA PLANA PHILLIPS DE ZINC GALVANIZADO M6-1 X 16	WR1499	FAS-SCW-8569	4
20	TORNILLOS PHILLIPS DE CABEZA PLANA PARA CHAPA DE METAL #10 X 1	WR1556	FAS-SCW-0010	2
21	TORNILLOS TORX DE SEGURIDAD CON CABEZA DE BOTÓN DE ZINC GALVANIZADO M6-1 X 25	WR1598	FAS-SCW-7625	4
22	PASADOR, TENSIÓN, M10 X 30	WR1548	FAS-PIN-EZ02	2
23	TAPÓN PARA PATAS, ¾" VINIL NEGRO, FCR-12	WL793	GEN-CAP-5039	2
24	TAPÓN EZ, NEGRO, SE ADAPTA A UN TUBO CUADRADO CON IDENTIFICACIÓN 0.584 - 0.68"	WL790	GEN-CAP-1075	1
25	RESORTE HELICOIDAL 14, COMPRESIÓN, 0.989 X 4", X 0.105	WR1634	GEN-SPR-4075	2
26	CIGÜEÑAL DE LA CORTADORA SHARPSHOOTER PRO	R7142	CON-CAM-PRO9	1
27	BOTÓN CON RESORTE, HORQUILLA, 5/16	WR1630	GEN-SPR-0847	1
28	CARCASA S&W 0.40	WL797	GEN-BUL-LET4	1
29	TORNILLO DE CABEZA HUECA DE ZINC GALVANIZADO M6-1 X 30	WR1577	FAS-SCW-2630	1
30	MANGO INFERIOR DE LAS CORTADORAS SHARPSHOOTER PRO Y MARKSMAN	R7198	CON-HAN-L100	1
31	TORNILLO DE CABEZA HUECA DE ZINC GALVANIZADO M6-1 X 16	WR1581	FAS-SCW-5021	2
32	MONTAJE DE COJINETES, CORTADORAS MARKSMAN/SHARPSHOOTER PRO	R7527	SUB-BNG-0150	2

## PIEZAS DE REPUESTO

EDI DE REPUESTO	NO. DE PIEZA DE REPUESTO	DESCRIPCIÓN	INCLUYE NÚMEROS DE LOS DETALLES
29788	109B	REPUESTO PARA HOJA DE CORTADORA EZ SHEAR DE 9"	3
29778	PRO-SMK	KIT DE MANTENIMIENTO DE LA CORTADORA SHARPSHOOTER PRO	3.9
29773	PRO9-RP-PH	UNIDAD DE POTENCIA DE REPUESTO SHARPSHOOTER PRO	4, 6, 8, 9, 10, 11, 13, 15, 23, 26, 28, 29, 31, 32
29769	869-RP-0009	TOPE DE HOJA DE REPUESTO, 9" X ½" PARA SHARPSHOOTER PRO Y MAGNUM EDGE DE 9"	9
29898	863-RP-EZ80	JUEGO DE PERNOS DE EJE HEXAGONAL DE REPUESTO M10 X 80	15
29907	868-RP-MAG	AGARRADERA PARA MANGO DE REPUESTO, 1" CUADRADA X 5"	17
29766	854-RP-0009	REPUESTO DE YUNQUE, 9" X ½" PARA SHARPSHOOTER Y MAGNUM EDGE 9	10
29860	847-RP	PASADOR DE RESORTE PARA MANGO DE REPUESTO, ⅝" DE 1 LADO	27
29881	858-RP-U009	MANGO DE REPUESTO, SOLO SUPERIOR, DE 1" CUADRADA (CORTADORAS SHARPSHOOTER Y MARKSMAN)	5, 17, 27
29870	856-RP-100F	REPUESTO PARA GUÍA PARA CORTADORAS SHARPSHOOTER, MARKSMAN Y EZ SHEAR	12, 18, 24
29855	838-RP-EZ	REPUESTO DE TAPÓN PARA PATAS (2 PIEZAS) PARA CORTADORAS SHARPSHOOTER, MARKSMAN Y EZ SHEAR	23
R7198	CON-HAN-L100	MARKSMAN DE 13" DE MANGO BAJO-MAQUINADO 7"	30
WR1585	FAS-SCW-5612	TORNILLO DE CABEZA HUECA DE BOTÓN DE ZINC M6-1.0 X 12 MM ALLEN 10.9	13
WR1589	FAS-SCW-5840	TORNILLO DE CABEZA HUECA DE BOTÓN DE ZINC M8-1.25 X 40 MM ALLEN 10.9	16

## RESOLUCIÓN DE PROBLEMAS

### Repase el manual antes de continuar con la resolución de problemas:

- ¿Su cortadora ha sido ensamblada apropiadamente?
- ¿Está siendo operada correctamente?
- ¿Se encuentra lubricada apropiadamente?
- ¿La hoja ha sido afilada según las recomendaciones?

### Inspeccione visualmente la cortadora en busca de objetos que pudieran obstruir el movimiento de la hoja o la unidad de potencia:

- Presencia de materiales foráneos entre la hoja y el yunque, en los pasadores de resorte o debajo de la leva.
- Revise que la hoja no tenga astilladuras, fisuras o rebaba.
- Asegúrese de que los cojinetes estén intactos y lubricados. No deben girar/moverse en la leva durante el uso.

*NOTA: Esta es la resolución de problemas para todas las cortadoras Bullet. Si no está seguro de que corresponda con su cortadora, comuníquese con el servicio al cliente de Marshalltown.*



<b>PROBLEMA</b>	<b>REVISE EN PRIMER LUGAR</b>	<b>REVISE EN SEGUNDO LUGAR</b>	<b>REVISE EN TERCER LUGAR</b>	<b>REVISE EN CUARTO LUGAR</b>
Dificultad al cortar	Asegúrese de que el inmovilizador de leva esté DESACTIVADO. Si está equipado, active los lóbulos de potencia (Modelo 226)	Asegúrese de que el mango se encuentre TOTALMENTE extendido	Verifique el filo/la condición de la hoja	Inspeccione y lubrique los cojinetes/pasadores
No corta por completo a través del material	Inspeccione los pasadores en busca de orificios oblongos/desplazados	Ajuste el tope del recorrido frontal (cortadoras MAGNUM)	Verifique que los cojinetes no estén desgastados o sueltos	Asegúrese de que la hoja esté a la altura nominal apropiada
La hoja se atora luego de terminar los cortes	Verifique los topes de hoja, retire y reemplace en caso de estar dañados	Asegúrese de que los tornillos de la hoja estén apretados	Retire el yunque, dele vuelta y reinstale	Verifique si hay marcas en el yunque (desgaste por solapamiento)
Cortes irregulares o destrozados	Verifique el grosor de la chapa de madera (máx = 1/16" / 1.5 mm)	Verifique la condición de la hoja (astilladuras, rebaba, fracturas)	Asegúrese de que la hoja esté afilada	Revise la lista de los materiales aprobados
Los cortes no son exactos	Afloje los tornillos de la guía, alinee la guía y apriete	Verifique los pasadores en busca de desgaste irregular	Inspeccione la hoja y el yunque o el tope de la hoja en busca de contacto	
El mango no vuelve a la posición abierta	Asegúrese de que los pasadores estén lubricados	Aplique grasa en el área de contacto del cojinete	Lubrique los pernos del eje	Verifique que los resortes no estén rotos
El material no cabe en el área de corte	Verifique el grosor máximo del material para su cortadora	Revierta el tope del recorrido posterior	Asegúrese de que la hoja esté a la altura nominal apropiada	Si tiene dos cojinetes, cambie el cojinete que esté embragado
El pasador de inmovilización de leva está doblado o atascado	No levante o cargue la cortadora por el mango	Devuelva lentamente el mango a la posición abierta - no deje que "caiga libremente"	Desenganche el pasador de inmovilización de leva ANTES de cortar	
Melladuras de la hoja	Afile según se indica en el manual (aproximadamente 25 cortes, después a diario)	No corte bambú trenzado	No corte laminado de alta presión	Verifique el grosor de la chapa de madera (máx = 1/16" / 1.5 mm)
Las aberturas del pasador se desplazan hacia afuera / oblongas por donde atraviesa el eje de la leva	No levante o cargue la cortadora por el mango	Devuelva lentamente el mango a la posición abierta - no deje que "caiga libremente"	Verifique el grosor de la chapa de madera (máx = 1/16" / 1.5 mm)	Revise la lista de los materiales aprobados
No corta al borde del material	Verifique la alineación de la guía - ajuste si es necesario	No "doble" el material más allá del borde de la hoja	Asegúrese de que las guías angulares estén instaladas con el borde ANCHO hacia dentro (modelo 620)	

# ***BULLET***

*B Y M A R S H A L L T O W N*®

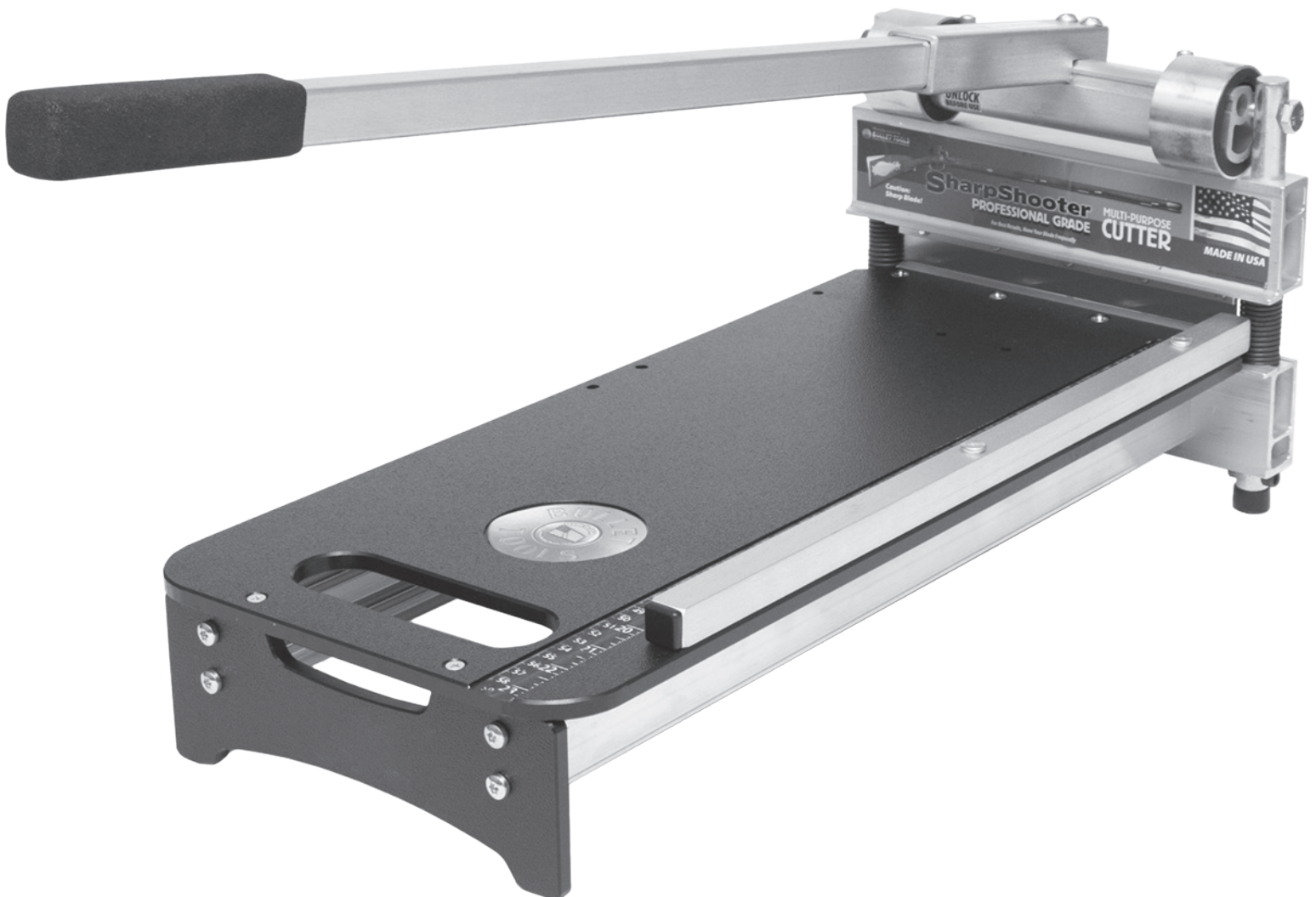
104 S. 8th Ave., Marshalltown, IA  
Teléfono 800-888-0127 / 641-753-0127  
Fax 800-477-6341 / 641-753-6341  
[www.MARSHALLTOWN.com](http://www.MARSHALLTOWN.com)  
WS2550revA

# **BULLET**

BY MARSHALLTOWN®

## **SHARPSHOOTER PRO**

Réf. ES00-PR09 | EDI 29980



104 S. 8th Ave. | Marshalltown, IA  
Téléphone 800-888-0127 / 641-753-0127 | Télécopieur 800-477-6341 / 641-753-6341  
www.MARSHALLTOWN.com  
WS2550revA

## INTRODUCTION

Félicitations pour votre achat d'une cisaille SharpShooter Pro de marque Bullet by MARSHALLTOWN. Elle est fièrement fabriquée aux États-Unis à partir de matériaux de très haute qualité et peut être utilisée à la fois pour les revêtements de sol et le bardage. Nous l'avons conçue à l'intention des professionnels du revêtement de sol et du bardage.

Les autres caractéristiques de la cisaille SharpShooter Pro comprennent notamment :

- Découpe facile et silencieuse en une fois
- Permet de couper à l'intérieur sans poussière
- Règle intégrée pour produire des coupes précises
- Plateau intégral à surface d'usure en polymère de haute densité
- Paliers polymères à enveloppe métallique
- Châssis en aluminium de qualité aviation
- Deux rails
- Lame en chrome-vanadium
- Butée de lame remplaçable

Et elle peut couper des matériaux de 5/8 po (15 mm) d'épaisseur et de 9 po (229 mm) de largeur, notamment :

- LVT/LVP/WPC/MLF/SPC
- Revêtement en bois franc d'ingénierie (massif jusqu'à 5/8 po / 15 mm et dureté Janka de 1250)
- Plancher stratifié
- Bardage en fibro-ciment
- Bardage en vinyle étroit

Ce manuel de l'utilisateur fournit l'information nécessaire pour faire fonctionner et entretenir cette cisaille SharpShooter Pro. Veiller à lire avec attention et à respecter toutes les consignes de sécurité et d'utilisation de ce manuel. S'assurer que chaque utilisateur de cette cisaille à revêtement de sol a lu ce manuel avant d'utiliser l'appareil. Le remplacement de toute pièce de cette cisaille à revêtement de sol par une pièce autre qu'une pièce de rechange agréée par le fabricant peut avoir un effet contraire sur le fonctionnement, la durabilité ou la sécurité du produit.

**Veiller à bien respecter les mesures de sécurité. Lire et respecter toutes les consignes de sécurité et d'utilisation figurant dans ce manuel de l'utilisateur.** Le fabricant se réserve le droit de modifier ou d'améliorer le produit à tout moment sans préavis ni obligation. Le fabricant se réserve le droit de décider, à sa seule discrétion et à tout moment, d'abandonner ce produit ou certaines de ses pièces de rechange.

Ce manuel couvre la cisaille SharpShooter Pro. Pour les questions techniques ou les pièces de rechange, appeler le service après-vente de MARSHALLTOWN au 1-800-888-0127 ou visiter [www.MARSHALLTOWN.com](http://www.MARSHALLTOWN.com).

# TABLE DES MATIÈRES

Introduction .....	2
Mesures de sécurité .....	3
Autocollants de sécurité .....	4
Garantie .....	4
Fonctionnement du produit.....	5
Guide de coupe.....	5
Entretien.....	7
Nomenclature des pièces .....	9
Dépannage .....	12



## MESURES DE SÉCURITÉ



• Les panonceaux DANGER et  AVERTISSEMENT sont placés à proximité de zones dangereuses particulières.



• Les panonceaux ATTENTION comportent des mesures générales de précaution.

• Ce symbole apparaît avant les mises en garde dans le texte. Il signifie que l'étape qui suit doit être effectuée pour écarter les risques de blessures corporelles ou de mort. Ces mises en garde ont pour objet d'aider le technicien à éviter les dangers potentiels rencontrés durant les procédures normales d'entretien. Nous conseillons vivement au lecteur de tenir compte de l'information fournie afin d'éviter les blessures personnelles ou à autrui.

LES MESURES DE PRÉCAUTION SUIVANTES SONT CONSEILLÉES POUR ÉVITER LES ACCIDENTS. LE MEILLEUR UTILISATEUR EST UN UTILISATEUR PRUDENT. LA MAJORITÉ DES ACCIDENTS PEUVENT ÊTRE ÉVITÉS EN OBSERVANT CERTAINES PRÉCAUTIONS. POUR ÉVITER LES ACCIDENTS, LIRE ET RESPECTER LES MESURES DE PRÉCAUTION SUIVANTES AVANT D'UTILISER CE MATÉRIEL. LE MATÉRIEL DOIT ÊTRE UTILISÉ UNIQUEMENT PAR DES PERSONNES RESPONSABLES ET FORMÉES À SON UTILISATION.



**PROPOSITION 65 DE CALIFORNIE - AVERTISSEMENT :** Ce produit peut exposer son utilisateur à des substances que l'État de Californie a déclarées responsables de cancer, malformations congénitales et autres effets nocifs sur la reproduction.

- Lire toutes les instructions d'utilisation et d'entretien avant d'utiliser ou d'entretenir la cisaille à revêtement de sol.
- Une cisaille à revêtement de sol est aussi sûre que son utilisateur seulement. Veiller à accorder toute son attention à l'utilisation de la cisaille à revêtement de sol.
- Savoir comment arrêter la cisaille instantanément.



**NE JAMAIS** utiliser la cisaille à revêtement si certaines de ses pièces ont été retirées.

- Toujours tenir les personnes inexpérimentées et non autorisées à l'écart de la cisaille à revêtement de sol.
- Maintenir la cisaille à revêtement de sol en bon état de fonctionnement. Les pièces desserrées ou endommagées sont dangereuses.
- Éviter les vêtements amples susceptibles d'être pris dans les pièces en mouvement.



Tenir les mains et les pieds à l'écart des pièces en mouvement.

- Maintenir toutes les étiquettes d'avertissement, de mise en garde et d'instructions de sécurité en bon état. Remplacer les étiquettes manquantes, endommagées ou illisibles.
- Dégager la zone de travail autour de la cisaille pour éviter de trébucher ou de tomber sur la cisaille.
- Travailler sur une surface plane pour éviter que la cisaille se renverse.
- NE PAS UTILISER cette cisaille à revêtement de sol alors qu'on est sous l'emprise de l'alcool ou qu'on prend des médicaments qui altèrent les réflexes.
- Utiliser uniquement des pièces de rechange autorisées par l'usine.
- Porter des lunettes de sécurité durant l'utilisation de la cisaille.
- Toujours faire preuve de précaution lors du changement de la lame de cisaille.
- Utiliser la cisaille uniquement avec des matériaux approuvés. Si une force excessive est nécessaire pour couper un matériau, cela peut provoquer des blessures corporelles ou des dommages à la cisaille à revêtement de sol.
- Porter une tenue de protection adaptée durant l'utilisation de la cisaille, notamment des yeux, des oreilles et des vêtements.
- Manipuler tous les solvants et produits nettoyants avec précaution et suivre les instructions du fabricant concernant la sécurité et l'élimination.

## AUTOCOLLANTS DE SÉCURITÉ

Si les autocollants de sécurité sont endommagés, ils peuvent être remplacés en s'adressant au service après-vente.

Étiquette de mise en garde de lame



Étiquette de mise en garde du manche



## GARANTIE

Ce produit est garanti à l'acheteur initial seulement contre les défauts de matériau et de fabrication dans des conditions normales d'utilisation, pendant un an à compter de la date d'achat. MARSHALLTOWN s'engage à réparer ou à remplacer, sans frais de pièces ou de main-d'œuvre, toute pièce jugée défectueuse. Tous les frais de port pour les pièces de rechange seront à la charge de l'acheteur.

Pour recourir à la garantie, le produit doit être renvoyé à MARSHALLTOWN accompagné d'un justificatif de la date d'achat. Communiquer avec le service après-vente de MARSHALLTOWN pour déterminer la meilleure méthode de renvoi du produit sous garantie. Le produit devra être renvoyé au plus tard 30 jours après l'expiration de la période de garantie.

Toutes les garanties implicites, notamment de qualité marchande ou d'adaptation à un emploi particulier, sont limitées à une année à compter de la date d'achat par l'acheteur au détail initial et, dans la mesure permise par la loi, toutes les garanties sont exclues et rejetées après l'expiration de cette période.

Certains états ou provinces interdisent les limites de durée des garanties implicites ou l'exclusion ou la limitation des dommages accessoires ou indirects, par conséquent les limites ou exclusions ci-dessous peuvent ne pas s'appliquer à vous. La présente garantie vous confère des droits juridiques particuliers et vous pouvez également avoir d'autres droits, susceptible de changer d'une juridiction à l'autre.

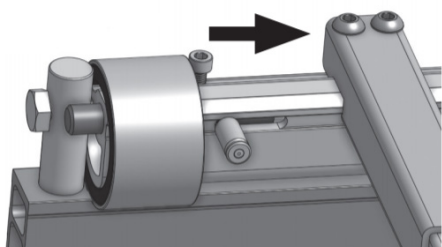
Exclusions de la présente garantie :

1. Tous les dommages indirects, y compris l'enlèvement et la livraison de la machine, les communications, les frais de déplacement et la location de toute machine durant les réparations ne sont pas couverts aux termes de la présente garantie, ni aucun manque à gagner ou autre perte liée à un défaut de fonctionnement du produit en raison d'une défectuosité couverte par la garantie.
2. La présente garantie ne s'applique pas si le produit devient inopérant suite à une utilisation détournée, usure normale, négligence, entretien incorrect, accident ou dommages liés au transport ; s'il n'a pas été utilisé et entretenu conformément aux instructions figurant dans le manuel d'utilisation ; ou s'il a été altéré ou modifié sans l'autorisation du service après-vente du fabricant.
3. Ne pas renvoyer de pièces ou produits à l'usine sans autorisation écrite préalable du fabricant.

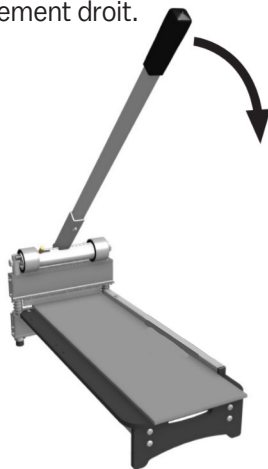


## FONCTIONNEMENT DU PRODUIT

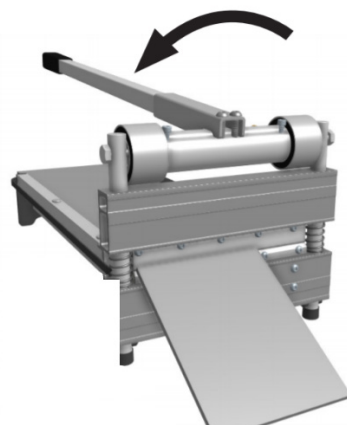
Lors de la découpe de la majorité des matériaux, la « chute » présente un bord biseauté, tandis que la pièce d'« ouvrage » (celle qui reste sur le plateau) a un bord essentiellement droit.



1. Déplacer le levier de blocage de came pour déverrouiller la cisaille.



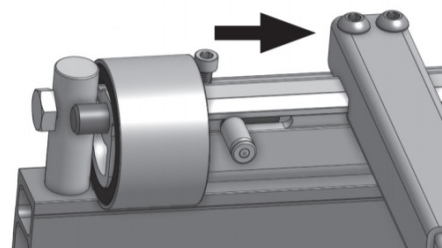
2. Placer le produit sur le plateau. Il est conseillé de **TENIR LE MATÉRIAU EN PLACE** jusqu'à la fin de la découpe. Abaisser le levier jusqu'à ce que la lame touche le matériau.



3. Pousser le levier vers le bas jusqu'à ce que le matériau soit complètement coupé. Un certain effort peut s'avérer nécessaire en fonction de la dureté du matériau.

## BLOCAGE DE SÉCURITÉ

Le verrou de blocage peut être désengagé en déplaçant le bouton.



## TRANSPORT

Toujours réengager la goupille de blocage et bloquer le manche du levier en position basse pour l'entreposage, le port à la main ou le transport de la cisaille.

## CONSEILS DE COUPE

La cisaille SharpShooter Pro est conçue pour couper divers matériaux. Certains des matériaux les plus courants sont notamment les revêtements de sol stratifiés, en bois franc d'ingénierie (jusqu'à 5/8 po / 15 mm d'épaisseur et dureté Janka de 1250), LVT/LVP/WPC/MLF/SPC, bardage en panneau de fibro-ciment et bardage en vinyle étroit.

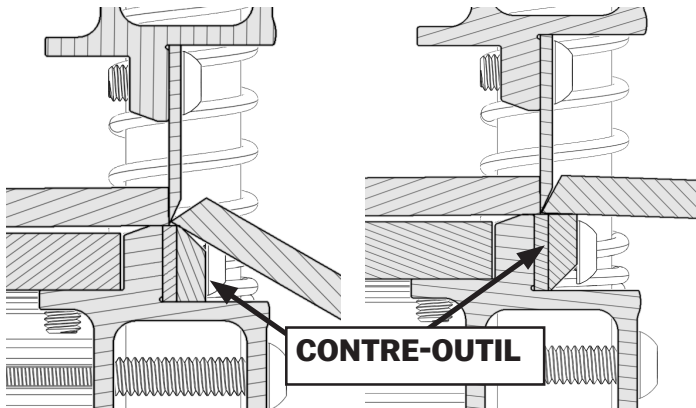
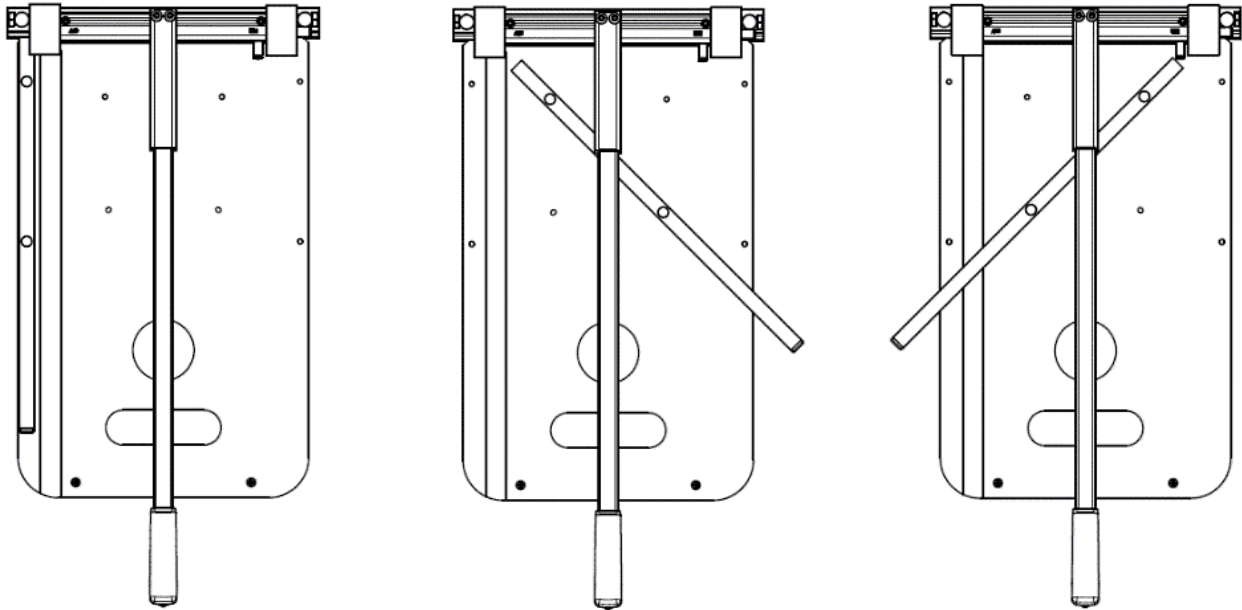
**Remarque : NE PAS tenter de couper de bois massif, de stratifié haute pression ou de bois franc d'ingénierie de dureté Janka supérieure à 1250.**

Remarque : Même les matériaux approuvés peuvent présenter des densités et des duretés très variées. Si une force excessive est nécessaire pour couper un matériau, arrêter immédiatement pour éviter les risques de dommages à la cisaille ou de blessures. Toute tentative de coupe de matériaux non approuvés invalidera la garantie.

## COUPES À 45 DEGRÉS

Tirer fermement le guide vers le haut pour le détacher du plateau et l'enfoncer dans la position à 45 degrés qui convient.

*REMARQUE : Cette illustration correspond au modèle Marksman. La cisaille considérée peut avoir une apparence légèrement différente.*

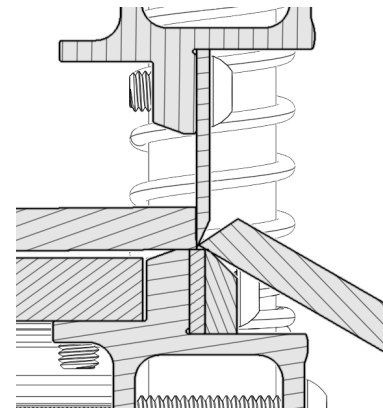


**CONTRE-OUTIL**

### MATÉRIAUX SOUPLES

Pour couper des matériaux souples, retourner le contre-outil : Démontez le contre-outil et la butée de lame à l'aide d'une clé hexagonale de 4 mm ou de 5/32 po. Remontez avec la face plane, et non la face biseautée, vers le haut. Cela facilite la découpe des matériaux souples et fibreux (plinthe à gorge, lames de vinyle minces, par exemple).

Pour les matériaux à fibres de Kevlar® (courroies de caoutchouc, par exemple), mettre le côté plat du contre-outil vers le haut mais retirer la butée de lame en plastique.



### COUPES DOUBLES

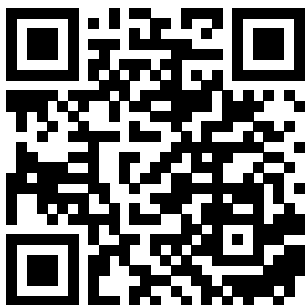
La majorité des matériaux se cisailent sans difficulté en une fois. Toutefois, certains bardages en fibro-ciment et d'autres produits peuvent nécessiter un cisaillement en deux temps pour produire une coupe plus propre. Il suffit d'effectuer une première coupe à une distance de 1/8 po à 1/4 po (3 à 6 mm) au-delà du trait de coupe, puis de couper une deuxième fois directement sur le trait. Cela produit une coupe plus nette, ce qui est très utile s'il n'est pas possible d'utiliser une mouleure ou une pièce de transition pour couvrir le bord coupé.

## ENTRETIEN

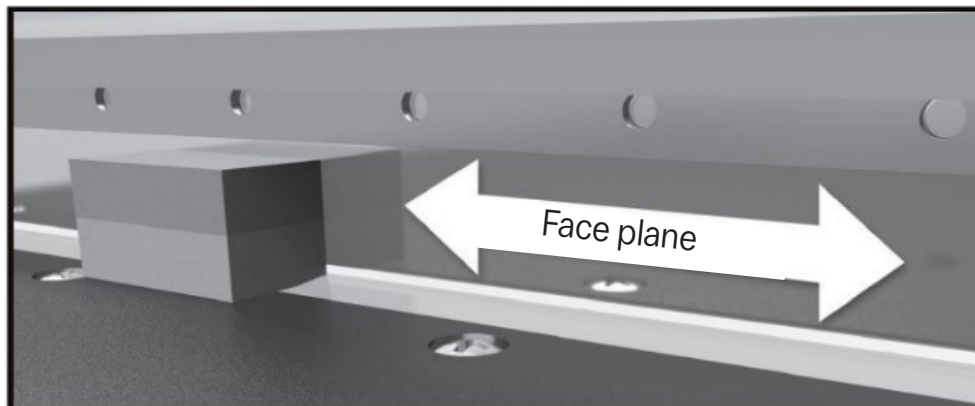
### Affûter la lame

Pousser le levier vers le bas jusqu'à placer la lame à  $\frac{1}{8}$  po (3 mm) au-dessus du plateau. Placer la pierre à aiguiser fournie contre le face plane de la lame. Glisser la pierre à aiguiser d'un bout à l'autre de la lame 3 à 4 fois de suite. Cela permet d'éliminer les ébarbures de la lame.

Lorsque la cisaille est neuve, il est conseillé de l'affûter après la 5ème coupe. Affûter ensuite la lame toutes les 10 coupes jusqu'à la 100ème, après quoi la lame est rodée. À partir de là, il suffit d'affûter une fois pour chaque tâche ou projet. Faire preuve de précaution lors de l'affûtage de la lame. La lame est tranchante et peut facilement provoquer des blessures. Il est conseillé de porter des gants résistants aux coupures pour affûter la lame.

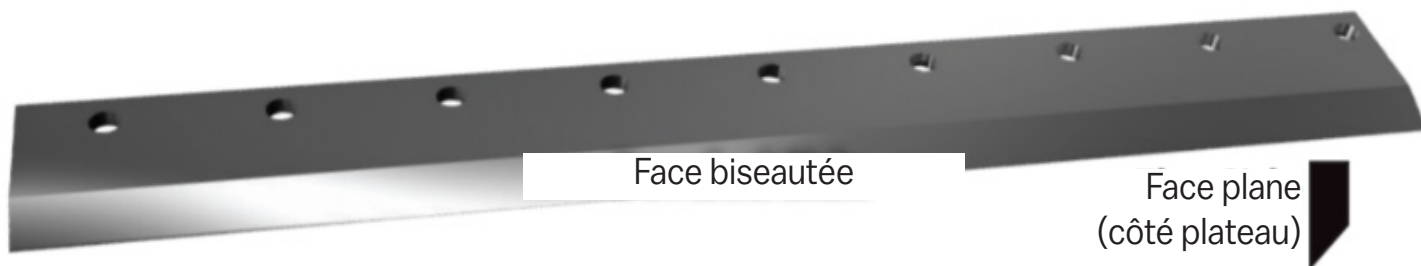


Pour plus d'information sur l'affûtage de la lame, numériser le code QR code ou visiter [www.marshalltown.com/honing-your-blade](http://www.marshalltown.com/honing-your-blade)



### Aiguiser la lame

La lame peut être aiguisée pour rétablir un tranchant de 21 à 22 degrés. Il est important de noter que la lame doit être aiguisée uniquement sur la face biseautée, en laissant la face plane intacte. Nous conseillons de confier le meulage à la machine exclusivement à un professionnel, car la lame doit être refroidie par un liquide durant l'opération.



## Changer la lame

**AVERTISSEMENT :** La lame est très coupante! Porter des gants anticoupure pour changer la lame.

**1. POSER LA CISAILLE À L'ENVERS** Conseil pratique : poser la cisaille au bord d'un établi solide.

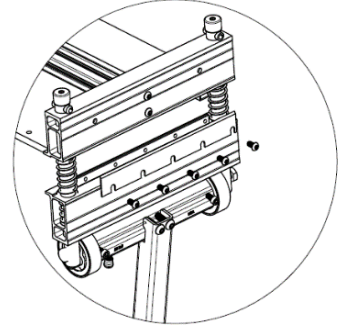
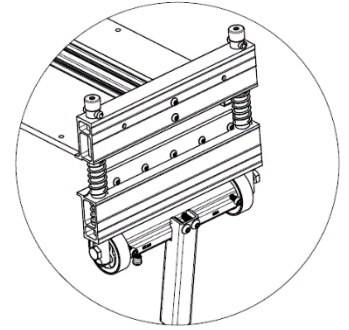
**2. DESSERRER LA LAME** Retirer les vis à l'aide d'un tournevis Phillips.

**3. RETIRER LA LAME** Saisir la lame aux deux extrémités et la soulever avec précaution hors de son logement.

**4. REMONTER LA LAME** Tenir la lame aux deux extrémités et la placer avec précaution dans le logement de lame sur la tête de l'outil, avec la face plane de la lame du côté du plateau. S'assurer qu'elle est bien calée et qu'il n'y a aucune saleté dans le logement de lame.

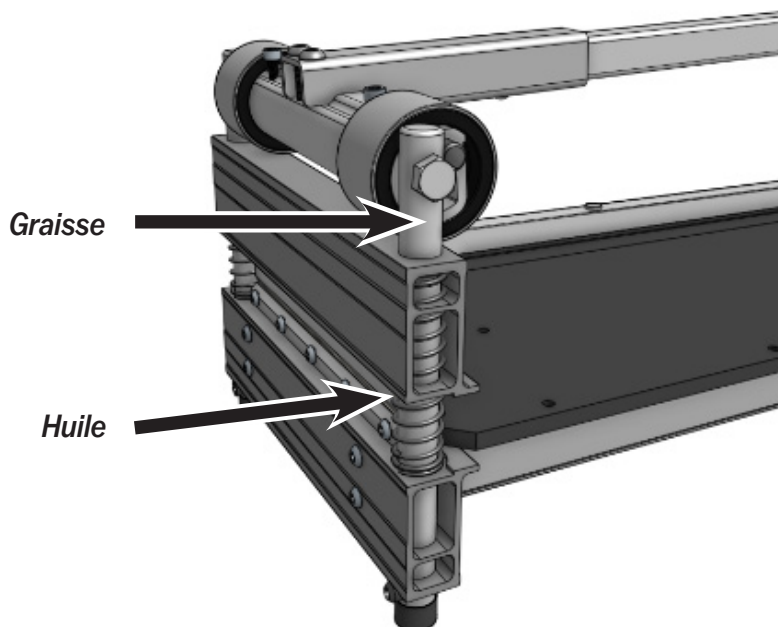
**5. SERRER LA LAME** À l'aide d'un tournevis Phillips, remettre les vis en place et les serrer en commençant par la vis du milieu.

*REMARQUE :* Cette illustration correspond au modèle SharpShooter 2.0. La cisaille considérée peut avoir une apparence légèrement différente.

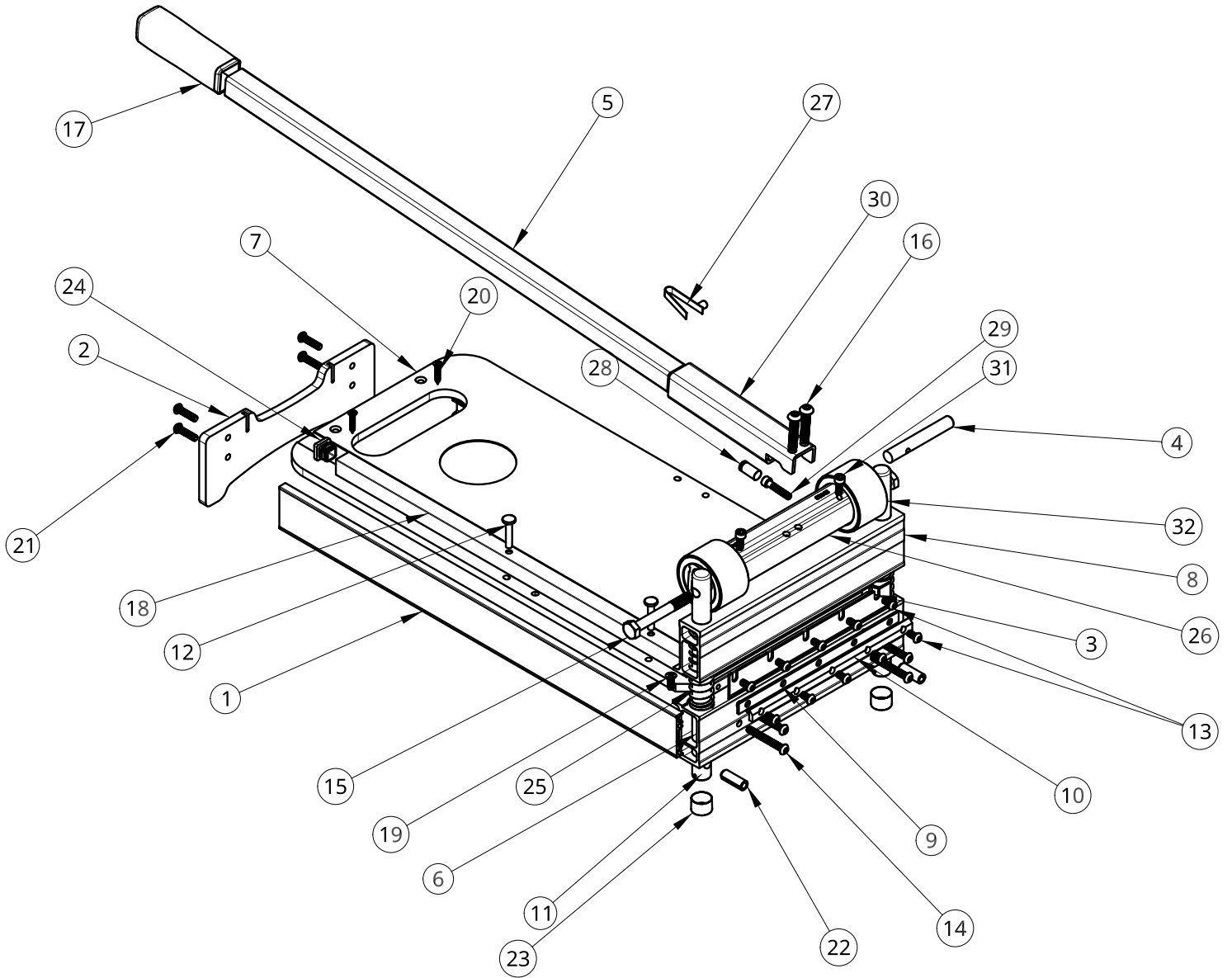


## Lubrification

Il est conseillé de lubrifier la cisaille toutes les 100 coupes. Utiliser une huile et une graisse légères (graisse pour roulements de roue) et les appliquer comme sur l'illustration ci-dessous. La lubrification de la cisaille prolonge sa durée de vie et permet des coupes plus faciles.



# NOMENCLATURE DES PIÈCES



## NOMENCLATURE DES PIÈCES

REP.	DESCRIPTION	EDI	RÉF. PIÈCE	QTÉ
1	RAIL DE CISAILLE DE 22 $\frac{3}{8}$ X 2, 0,95 po C2C	WC1005	CON-RAL-W022	2
2	PIED ARRIÈRE SHARPSHOOTER PRO	R7320	CON-TAL-PRO9	1
3	LAME SHARPSHOOTER 2 MM D2/M2	WX2579	RAW-BDE-109B	1
4	GOUPILLE DE BLOCAGE DE CAME, ½ po DIA.	R7154	CON-CML-D900	1
5	MANCHE DE LEVIER 009	R7204	CON-HAN-U009	1
6	BASE SHARPSHOOTER PRO	R7103	CON-BSE-PRO9	1
7	PLATEAU SHARPSHOOTER PRO	R7347	CON-TBL-PRO9	1
8	TÊTE SHARPSHOOTER PRO	R7228	CON-HED-PRO9	1
9	BUTÉE DE LAME EX09	R7119	CON-BST-EX09	1
10	CONTRE-OUTIL EX09	R7022	CON-ANV-EX09	1
11	AXE SHARPSHOOTER LITE	WU915	COT-PIN-0400	2
12	RIVET AL TÊTE PLATE ¼ x 1-¼ po	WR1553	FAS-RVT-2513	2
13	VIS BHSCS M6-1.0 X 12 ZINGUÉE	WR1585	FAS-SCW-5612	10
14	VIS BHSCS ¼-20 X 2 po ZINGUÉE	WR1584	FAS-SCW-5420	4
15	VIS, M10 X 80 HEXA, CLS 10.9, ZINGUÉE	WR1510	FAS-BLT-EZ80	2
16	VIS BHSCS M8-1¼ X 40 ZINGUÉE	WR1589	FAS-SCW-5840	2
17	POIGNÉE DE MANCHE (1 x 1 x 5 x ½ po)	WK232	GEN-HAN-0868	1
18	GUIDE DE COUPE RIVETÉ 19,75 po	R7178	CON-FNC-1000	1
19	VIS FHPMS M6-1 x 16 ZINGUÉE	WR1499	FAS-SCW-8569	4
20	VIS FHPSMS N° 10 x 1	WR1556	FAS-SCW-0010	2
21	VIS BH TORX MS M6-1 x 25 ZINGUÉE	WR1598	FAS-SCW-7625	4
22	GOUPILLE ÉLASTIQUE, M10 x 30	WR1548	FAS-PIN-EZ02	2
23	BOUCHON DE PIED, ¾ po VINYLE NOIR, FCR-12	WL793	GEN-CAP-5039	2
24	CAPUCHON EZ NOIR POUR TUBE CARRÉ INT. DE 0,584 À 0,68 po	WL790	GEN-CAP-1075	1
25	RESSORT DE COMPRESSION, 0.989 X 4 PO X 0.105, 14 SPIRES	WR1634	GEN-SPR-4075	2
26	ARBRE À CAME SHARPSHOOTER PRO	R7142	CON-CAM-PRO9	1
27	ÉPINGLE ÉLASTIQUE À BOUTON, 5/16	WR1630	GEN-SPR-0847	1
28	DOUILLE .40 S&W	WL797	GEN-BUL-LET4	1
29	VIS SHCS M6-1 X 30 ZINGUÉE	WR1577	FAS-SCW-2630	1
30	LEVIER INFÉRIEUR SHARPSHOOTER PRO AND MARKSMAN	R7198	CON-HAN-L100	1
31	VIS SHCS M6-1 X 16, ZINGUÉE	WR1581	FAS-SCW-5021	2
32	PALIER, MARKSMAN/SHARPSHOOTER PRO	R7527	SUB-BNG-0150	2

## PIÈCES DE RECHANGE

EDI PIÈCE DE RECHANGE	RÉF. PIÈCE DE RECHANGE	DESCRIPTION	REPÈRE(S)
29788	109B	LAME DE CISAILLE EZ SHEAR 9 po DE RECHANGE	3
29778	PRO-SMK	NÉCESSAIRE D'ENTRETIEN DE CISAILLE SHARPSHOOTER PRO	3,9
29773	PRO9-RP-PH	TÊTE DE CISAILLE SHARPSHOOTER PRO DE RECHANGE	4,6,8,9,10,11,13,15,23,26,28,29,31,32
29769	869-RP-0009	BUTÉE DE LAME DE RECHANGE, 9 po X ½ po POUR SHARPSHOOTER PRO ET MAGNUM EDGE 9 po	9
29898	863-RP-EZ80	JEU DE VIS D'AXE TÊTE HEXA M10 X 80 DE RECHANGE	15
29907	868-RP-MAG	POIGNÉE DE RECHANGE, CARRÉ 1 po X 5 po	17
29766	854-RP-0009	CONTRE-OUTIL DE RECHANGE, 9 po X ½ po POUR SHARPSHOOTER ET MAGNUM EDGE 9	10
29860	847-RP	GOUPILLE ÉLAST. RECHANGE LEVIER 5/16 po 1 CÔTÉ	27
29881	858-RP-U009	LEVIER CARRÉ 1 po DE RECHANGE HAUT SEULEMENT (SHARPSHOOTER & MARKSMAN)	5,17,27
29870	856-RP-100F	GUIDE DE RECHANGE POUR SHARPSHOOTER, MARKSMAN, EZ SHEAR	12,18,24
29855	838-RP-EZ	BOUCHON DE PIED DE RECHANGE (QTÉ 2) POUR SHARPSHOOTER, MARKSMAN, EZ SHEAR	23
R7198	CON-HAN-L100	LEVIER INFÉRIEUR MARKSMAN 13 PO - USINÉ 7 PO	30
WR1585	FAS-SCW-5612	VIS TÊTE RONDE SIX PANS CREUX M6-1.0 X 12 MM 10.9 ZINGUÉE	13
WR1589	FAS-SCW-5840	VIS TÊTE RONDE SIX PANS CREUX M8-1.25 X 40 MM 10.9 ZINGUÉE	16



## DÉPANNAGE

### **Avant de dépanner, consulter le manuel :**

- La cisaille est-elle correctement assemblée?
- Est-elle correctement utilisée?
- Est-elle correctement lubrifiée?
- La lame a-t-elle été affûtée conformément aux recommandations?

### **Contrôler visuellement la cisaille, pour vérifier l'absence d'obstructions au mouvement de la lame et de la tête :**

- Présence de matières étrangères entre la lame et le contre-outil, dans les ressorts de l'axe ou sous la came.
- Voir si la lame présente des ébréchures, fissures ou ébarbures.
- Vérifier que les paliers sont en bon état et lubrifiés. Ils ne doivent pas tourner ou se déplacer sur la came durant l'utilisation.

*REMARQUE : Cette procédure de dépannage s'applique à toutes les cisailles Bullet. Si on n'est pas sûr qu'elle se rapporte à la cisaille, communiquer avec le service après-vente Marshalltown.*

<b>PROBLÈME</b>	<b>1er CONTRÔLE</b>	<b>2e CONTRÔLE</b>	<b>3e CONTRÔLE</b>	<b>4e CONTRÔLE</b>
Découpe difficile	Vérifier que la goupille de blocage de came est SORTIE. S'il y a lieu, engager les lobes de came (226)	Vérifier que le manche de levier est COMPLÈTEMENT étendu	Vérifier l'affûtage/l'état de la lame	Contrôler et lubrifier les paliers/ axes
Ne coupe pas complètement à travers les matériaux	Voir si les orifices des axes de coulissement sont oblongs/déformés	Régler la butée de course avant (cisailles MAGNUM)	Contrôler l'usure/le jeu des paliers	Vérifier que la lame est à sa hauteur nominale
Grippage de la lame après les découpes	Contrôler/démonter et changer les butées de lame endommagées	Vérifier le serrage des vis de la lame	Démonter le contre-outil, le retourner et le remonter	Voir s'il y a des marques sur le contre-outil (dépassement de coupe)
Coupes grossières ou écrasées	Vérifier l'épaisseur du placage (Max = 1/16 po / 1,5 mm)	Vérifier l'état de la lame (ébréchures, ébarbures, cassures)	Vérifier que la lame est affûtée et aiguisée	Consulter la liste des matériaux approuvés
Les coupes ne sont pas d'équerre	Desserrer les vis du guide, aligner le guide et resserrer	Voir si les broches présentent une usure inégale	Contrôler le contact entre lame et contre-outil/butée de lame	
Le levier ne revient pas en position ouverte	Vérifier que les axes sont lubrifiés	Graisser la surface de contact des paliers	Lubrifier les vis d'axe	Vérifier que les ressorts ne sont pas cassés
Le matériau ne passe pas dans l'espace de coupe	Vérifier l'épaisseur maximale de matériau pour la cisaille	Retourner la butée de course arrière	Vérifier que la lame est à sa hauteur nominale	Sur les modèles à deux paliers, changer le palier engagé
Goupille de blocage de came déformée/coincée	Ne pas soulever ni transporter la cisaille par le levier	Ramener le levier lentement en position ouverte, ne pas lâcher brusquement	Extraire la goupille de blocage de came AVANT de couper	
La lame s'ébrèche	Affûter comme indiqué dans le manuel (~25 coupes, puis chaque jour)	Ne pas découper de bambou en fibres	Ne pas découper de stratifié haute pression	Vérifier l'épaisseur du placage (max = 1/16 po / 1,5 mm)
Orifices d'axe de came déformés/oblongs dans les axes de coulissement	Ne pas soulever ni transporter la cisaille par le levier	Ramener le levier lentement en position ouverte, ne pas lâcher brusquement	Vérifier l'épaisseur du placage (Max = 1/16 po / 1,5 mm)	Consulter la liste des matériaux approuvés
Ne coupe pas jusqu'au bord du matériau	Vérifier l'alignement du guide, ajuster s'il y a lieu	Ne pas « incliner » le matériau au-delà du tranchant de la lame	Vérifier que le ou les guides d'angle sont installés avec le bord LARGE vers l'intérieur (modèle 620)	

# **BULLET**

*B Y M A R S H A L L T O W N*®

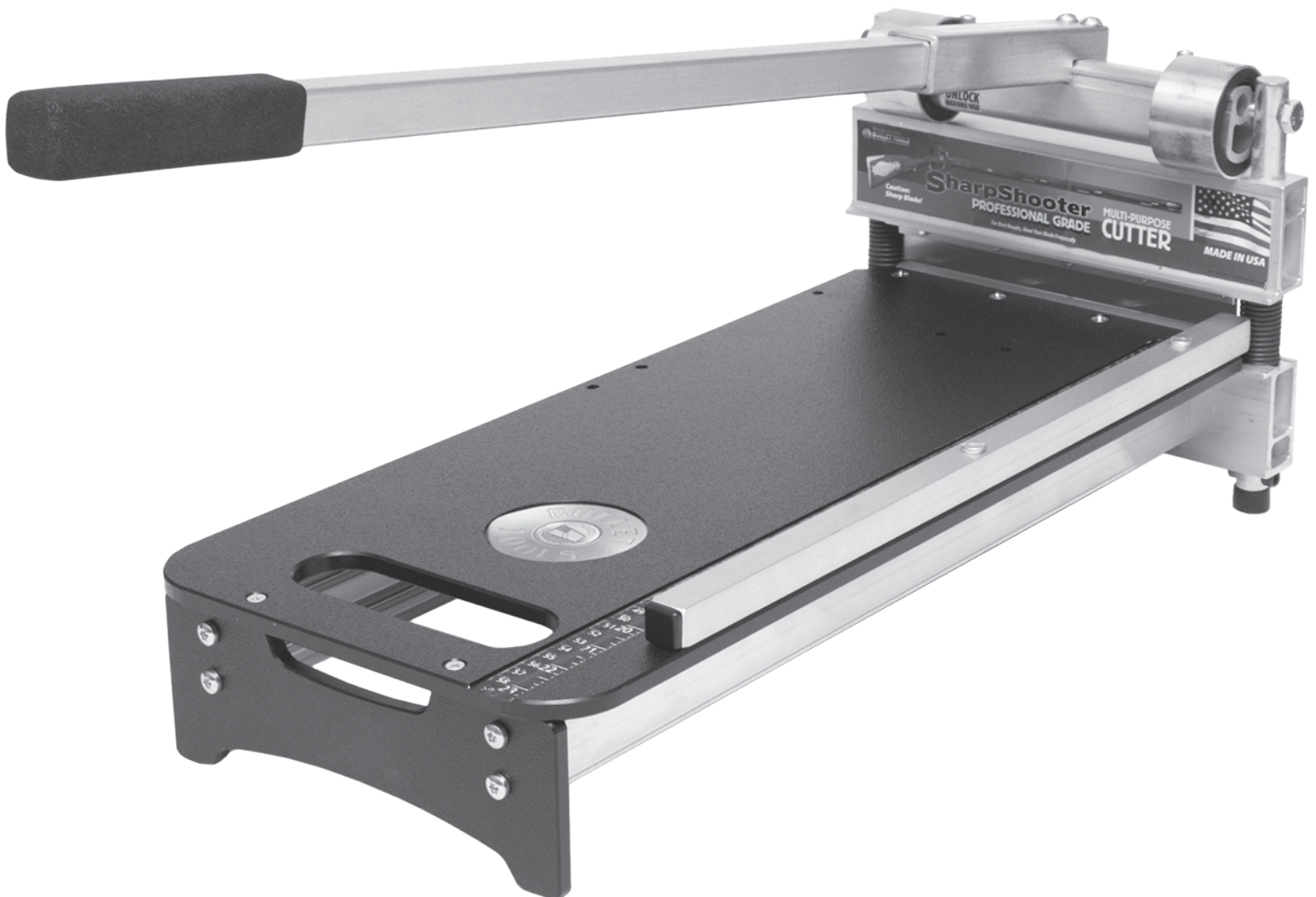
104 S. 8th Ave., Marshalltown, IA  
Téléphone 800-888-0127 / 641-753-0127  
Télécopie 800-477-6341 / 641-753-6341  
[www.MARSHALLTOWN.com](http://www.MARSHALLTOWN.com)  
WS2550revA

# **BULLET**

BY MARSHALLTOWN®

## **SHARPSHOOTER PRO**

Bestell-Nr. ES00-PR09 | EDI-Nr. 29980



104 S. 8th Ave. | Marshalltown, Iowa (USA)  
Tel.: +1 800-888-0127 / +1 641-753-0127 | Fax: +1 800-477-6341 / +1 641-753-6341  
[www.MARSHALLTOWN.com](http://www.MARSHALLTOWN.com)  
WS2550revA

# EINFÜHRUNG

Wir gratulieren Ihnen zum Kauf des SharpShooter Pro aus der Produktserie Bullet by MARSHALLTOWN. Dieses in den USA hergestellte Produkt besteht aus höchstwertigen Materialien und kann für die Arbeit mit Fußbodenbelägen und Fassadenverkleidungen verwendet werden. Bei seiner Konstruktion haben wir uns von den Anforderungen professioneller Fußbodenverleger und Fassadeninstallateure leiten lassen.

Darüber hinaus bietet Ihr SharpShooter Pro die folgenden Vorteile:

- Mit einem einzigen, einfachen Schnitt wird das gewünschte Ergebnis erzielt.
- Das Schneiden kann in Gebäuden stattfinden, ohne dass Staub anfällt.
- Eingebautes Lineal für ein präzises Schneiden
- Kompletter Tisch mit einer hochdichten Polymer-Verschleißfläche
- Metallummantelte Polymerlager
- Rahmen aus luftfahrttauglichem Aluminium
- Doppelschienen
- Chrom-Vanadium-Messer
- Austauschbarer Messeranschlag

Das Gerät kann Materialien bis zur einer Dicke von 15 mm und einer Breite von 228 mm schneiden, darunter:

- LVT/LVP/WPC/Mehrschicht-Bodenbeläge/SPC
- Hartholzwerkstoff-Bodenbeläge (bis zu einer Dicke von 12 mm und 1250 Janka – NUR nach Umdrehen des Schneidguts schneiden; die Rückseite muss nach oben zeigen)
- Laminat
- Faserzement-Fassadenverkleidungen
- Schmale Vinyl-Fassadenverkleidungen

Diese Bedienungsanleitung enthält alle für Bedienung und Instandhaltung dieses SharpShooter Pro-Schneidgeräts erforderlichen Informationen. Lesen und befolgen Sie sorgfältig alle Sicherheits- und Bedienungshinweise in dieser Anleitung. Stellen Sie sicher, dass jeder Bediener dieses Hebelschneiders für Bodenbeläge diese Anleitung vor Gebrauch des Geräts gelesen hat. Der Ersatz jeglicher Teile dieses Hebelschneiders für Bodenbeläge durch nicht vom Hersteller autorisierte Komponenten kann die Leistung, Haltbarkeit oder Sicherheit des Produkts beeinträchtigen.

**Stellen Sie sicher, dass alle Sicherheitsvorkehrungen getroffen werden. Lesen und befolgen Sie alle Sicherheits- und Bedienungshinweise in dieser Bedienungsanleitung.** Der Hersteller behält sich das Recht vor, ohne Ankündigung oder einer damit verbundenen Verpflichtung jederzeit Änderungen oder Verbesserungen an seinem Produkt vorzunehmen. Der Hersteller behält sich ferner das Recht vor, die Produktion dieses Produkts oder seiner Ersatzteile im eigenen Ermessen jederzeit einzustellen.


Gegenstand dieser Anleitung ist der SharpShooter Pro. Bei technischen Fragen oder zum Bezug von Reparaturteilen rufen Sie bitte den MARSHALLTOWN-Kundendienst unter der Rufnummer 1-800-888-0127 an oder besuchen Sie [www.MARSHALLTOWN.com](http://www.MARSHALLTOWN.com).

# INHALTSVERZEICHNIS

Einführung.....	2
Sicherheitsvorkehrungen.....	3
Sicherheitsaufkleber.....	4
Garantie.....	4
Bedienung des Produkts.....	5
Schneidanleitung.....	5
Wartung.....	7
Teileaufschlüsselung.....	9
Fehlersuche und -behebung.....	12

## SICHERHEITSVORKEHRUNGEN




- Die Sicherheitssymbole **GEFAHR** und  **WARNUNG** dienen der Kennzeichnung bestimmter Gefahren.
- Neben Sicherheitssymbolen mit der Aufschrift **VORSICHT** sind Sicherheitshinweise allgemeiner Art angegeben.

- Dieses Symbol erscheint vor Warnungen im Text. Es weist darauf hin, dass der im Anschluss beschriebene Schritt ausgeführt werden muss, um das Risiko von Verletzungen, auch mit Todesfolge, zu vermeiden. Diese Warnungen sollen dem Techniker dabei helfen, potenzielle Gefahren zu vermeiden, die bei der Ausführung normaler Instandhaltungsarbeiten auftreten. Wir empfehlen dem Leser nachdrücklich, durch Beachtung der entsprechenden Hinweise Verletzungen seiner eigenen und anderer Personen zu vermeiden.


DIE FOLGENDEN VORSICHTSMASSNAHMEN DIENEN DER VERMEIDUNG VON UNFÄLLEN. EIN UMSICHTIGER BEDIENER IST DER BESTE BEDIENER. DIE MEISTEN UNFÄLLE KÖNNEN BEI BEACHTUNG BESTIMMTER VORSICHTSMASSNAHMEN VERMIEDEN WERDEN. LESEN UND BEACHTEN SIE VOR DER BEDIENUNG DIESES GERÄTS DIE FOLGENDEN VORSICHTSMASSNAHMEN, UM UNFÄLLE ZU VERHÜTEN. DER HEBELSCHNEIDER DARF NUR VON IHRER VERANTWORTUNG BEWUSSTEN PERSONEN BEDIENT WERDEN, DIE IM UMGANG MIT DEM GERÄT GESCHULT WURDEN.

 **WARNUNG GEMÄSS „CALIFORNIA PROPOSITION 65“:** Dieses Produkt kann Sie mit Chemikalien in Kontakt bringen, von denen dem US-Bundesstaat Kalifornien bekannt ist, dass sie Krebs, Geburtsfehler oder andere Störungen des Fortpflanzungssystems verursachen.

- Vor Betrieb oder Instandhaltung des Hebelschneiders für Bodenbeläge alle Bedienungs- und Wartungsanweisungen lesen.
- Hebelschneider für Bodenbeläge können nur von einem auf die Sicherheit achtenden Bediener sicher bedient werden. Beim Arbeiten mit dem Hebelschneider für Bodenbeläge keine Ablenkungen zulassen.
- Informieren Sie sich darüber, wie der Hebelschneider für Bodenbeläge sofort zum Stillstand gebracht werden kann.

 Den Hebelschneider für Bodenbeläge **NICHT** in Betrieb nehmen, wenn zuvor irgendwelche Komponenten des Geräts entfernt wurden.

- Unerfahrenen und unbefugten Personen ist der Zugang zum Hebelschneider für Bodenbeläge zu verwehren.
- Einen einwandfreien Betriebszustand des Hebelschneiders für Bodenbeläge gewährleisten. Lose oder beschädigte Teile stellen eine Gefahr dar.
- Das Tragen von lose anliegenden Kleidungsstücken vermeiden, die sich in bewegten Teilen verfangen können.

 Hände und Füße von bewegten Teilen fernhalten.

- Auf einen guten Zustand aller Warn-, Vorsichts- und Sicherheitshinweisenaufkleber achten. Fehlende, beschädigte und unleserliche Aufkleber sind zu ersetzen.
- Den Arbeitsbereich rund um den Hebelschneider aufräumen, damit keine Personen stolpern und auf das Gerät fallen können.
- Das Gerät auf ebenem Boden betreiben, damit der Hebelschneider für Bodenbeläge nicht umkippen kann.
- Diesen Hebelschneider für Bodenbeläge **NICHT** unter dem Einfluss von Alkohol oder Medikamenten in Betrieb nehmen, welche die Reaktionsfähigkeit beeinträchtigen.
- Nur Original-Ersatzteile verwenden.
- Beim Bedienen des Hebelschneiders für Bodenbeläge eine Schutzbrille tragen.
- Beim Auswechseln des Schneidmessers mit der gebotenen Vorsicht vorgehen.
- Den Hebelschneider nur mit dafür zugelassenen Materialien bedienen. Wenn zum Schneiden eines Materials ein extrem hoher Kraftaufwand erforderlich ist, kann es zu Verletzungen und/oder Beschädigungen des Hebelschneiders für Bodenbeläge kommen.
- Bei der Bedienung des Hebelschneiders für Bodenbeläge ist eine angemessene Schutzbekleidung mit Augen- und Ohrenschutz zu tragen.
- Alle Lösemittel und Reinigungsflüssigkeiten sind mit Vorsicht zu behandeln; die Hinweise des Herstellers zur Sicherheit und Entsorgung sind zu beachten.

## SICHERHEITSAUFKLEBER

Wenn Ihre Sicherheitsaufkleber beschädigt sind, können Sie vom Kundendienst Ersatzaufkleber anfordern.

Messer-Warnaufkleber



Griff-Warnaufkleber



## GARANTIE

Auf dieses Produkt wird die auf den Erstkäufer beschränkte Garantie gewährt, dass es für einen Zeitraum von einem Jahr ab dem Kaufdatum bei normalem Gebrauch weder Material- noch Ausführungsmängel aufweist. MARSHALLTOWN verpflichtet sich, Teile, an denen Mängel festgestellt werden, ohne Berechnung von Material- oder Arbeitskosten zu reparieren oder zu ersetzen. Alle Kosten für den Versand von Ersatzteilen sind vom Käufer zu tragen.

Um den Garantiedienst in Anspruch nehmen zu können, muss das Produkt mit einem das Kaufdatum ausweisenden Beleg an MARSHALLTOWN geschickt werden. Wenden Sie sich an den MARSHALLTOWN-Kundendienst, um sich zur optimalen Versandmethode des unter Garantieschutz stehenden Produkts beraten zu lassen. Die Zustellung des Produkts muss spätestens 30 Tage nach Ablauf der Garantiezeit erfolgen.

Alle stillschweigenden Garantien, darunter Garantien der Marktgängigkeit und Eignung zu einem bestimmten Zweck, sind auf einen Zeitraum von einem Jahr ab dem Datum des Kaufs durch den Einzelhandels-Erstkunden und im gesetzlich zulässigen Umfang beschränkt; nach Ablauf dieser Frist sind alle stillschweigenden Garantien ausgeschlossen und werden abgelehnt.

Bestimmte Rechtsprechungen gestatten keine zeitlichen Beschränkungen stillschweigender Garantien oder keine Ausschlüsse oder Beschränkungen von Ersatzansprüchen infolge von Neben- oder Folgeschäden, weshalb die oben genannten Beschränkungen oder Ausschlüsse gegebenenfalls nicht auf Sie zutreffen. Diese Garantie gewährt Ihnen bestimmte Rechte. Darüber hinaus verfügen Sie je nach Rechtsprechung gegebenenfalls noch über weitere Rechte.

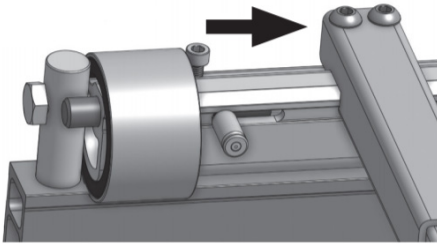
Ausschlüsse von dieser Garantie:

1. Ersatzansprüche für Folgeschäden, einschließlich der Kosten der Abholung und Lieferung des Geräts, der Kommunikation, Fahrkosten und/oder der Anmietung eines Ersatzgeräts während einer Reparatur, fallen nicht unter diese Garantie. Dies gilt auch für Einkommensausfälle und/oder sonstige Verluste, die auf einen Funktionsausfall des Produkts infolge eines von der Garantie gedeckten Fehlers zurückzuführen sind.
2. Diese Garantie ist nichtig, wenn das Produkt infolge von Missbrauch, normalem Verschleiß, Fahrlässigkeit, unsachgemäßer Wartung, Unfällen oder Transportschäden funktionsunfähig wird, nicht gemäß den Anweisungen in der Bedienungsanleitung betrieben und gewartet wurde oder ohne Genehmigung der werkseigenen Kundendienstabteilung modifiziert wurde.
3. Teile oder Produkte dürfen ohne vorherige Genehmigung des Werks nicht an dieses zurückgeschickt werden.



## BEDIENUNG DES PRODUKTS

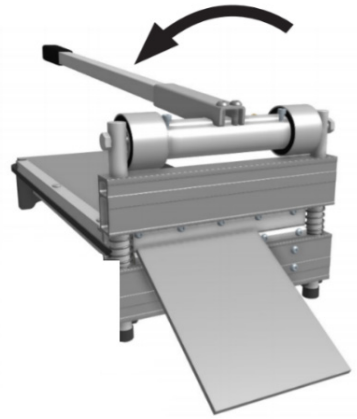
Beim Schneiden der meisten Materialien weist das abgetrennte Teil eine abgeschrägte Kante auf, das auf dem Tisch verbleibende Teil dagegen meist eine rechtwinklige Kante.



1. Schieben Sie den Camlock-Hebel zur Seite, um den Hebelschneider zu entriegeln.



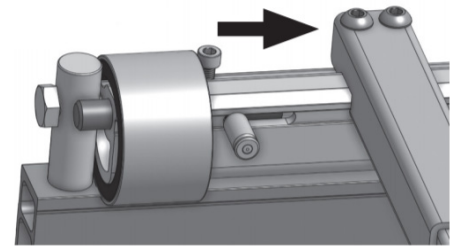
2. Legen Sie das Schneidgut auf den Tisch. Es wird empfohlen, das MATERIAL FESTZUHALTEN, bis der Schnitt ausgeführt ist. Drücken Sie den Griff zunächst nur so weit nach unten, bis das Messer das Material berührt.



3. Drücken Sie den Griff dann weiter nach unten, bis das Material ganz durchgeschnitten ist. Je nach der Härte des Schneidguts kann dafür ein gewisser Kraftaufwand erforderlich sein.

## SICHERHEITSSPERRE

Die Sperre kann gelöst werden, indem der Verriegelungsknopf zur Seite geschoben wird.



## TRANSPORT

Setzen Sie stets den Stift der Sicherheitssperre wieder ein und sichern Sie den ausgefahrenen Griff in der unteren Position, während Sie den Hebelschneider lagern, tragen oder transportieren.

## SCHNEIDANLEITUNG

Der SharpShooter Pro wurde zum Schneiden von vielen verschiedenen Materialien entwickelt. So eignet er sich beispielsweise für häufig verwendete Materialien wie Laminatbodenbeläge, Hartholzwerkstoffe (bis zu einer Dicke von 12 mm und 1250 Janka – NUR nach Umdrehen des Schneidguts schneiden; die Rückseite muss nach oben zeigen), LVT/LVP/WPC/Mehrschicht-Bodenbeläge/SPC, Faserzementplatten-Fassadenverkleidungen und schmale Vinyl-Fassadenverkleidungen.

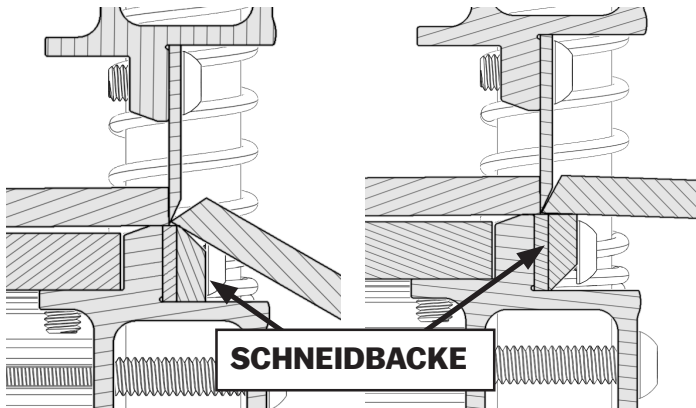
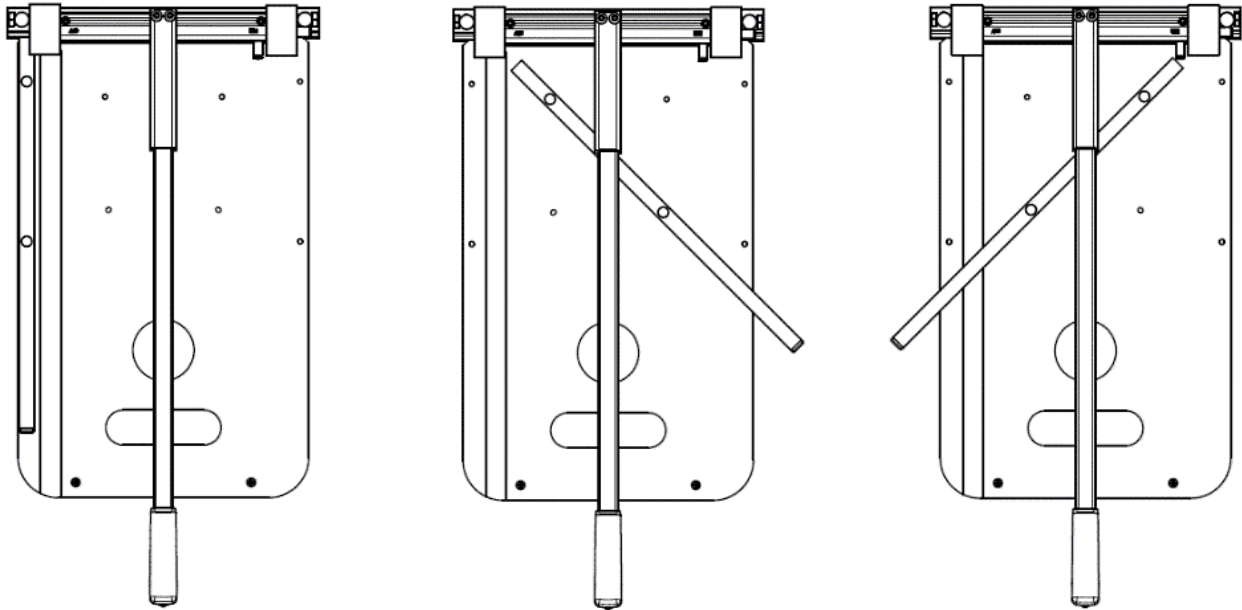
**Hinweis: KEINEN Versuch unternehmen, Massivholz oder Hochdrucklaminat zu schneiden. Außerdem darf kein Hartholzwerkstoff mit einer Härte von mehr als 1250 in Janka geschnitten werden. Hartholzwerkstoff mit einer Härte von weniger als 1250 in Janka darf nur geschnitten werden, wenn das Schneidgut umgedreht wird und die Rückseite beim Schneiden nach oben weist.**

Hinweis: Auch die für das Gerät geeigneten Materialien können deutliche Unterschiede bzgl. ihrer Dichte und Härte aufweisen. Wenn zum Schneiden eines Materials ein extrem hoher Kraftaufwand erforderlich ist, ist die Arbeit sofort einzustellen, um mögliche Beschädigungen des Hebelschneiders und Verletzungen zu vermeiden. Bei jedem Versuch, nicht für das Gerät geeignete Materialien zu schneiden, wird die Garantie ungültig.

## 45-GRAD-SCHNITTE

Heben Sie das Reibpassungs-Führungslinéal kräftig vom Tisch ab und drücken Sie es in der entsprechenden 45-Grad-Position wieder hinein.

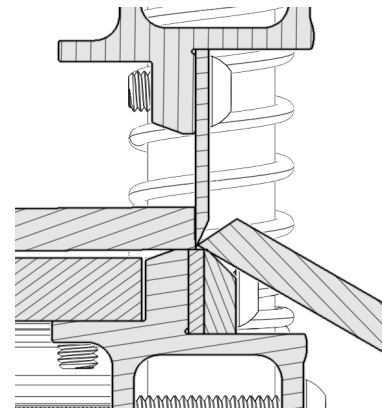
*HINWEIS: Dieses Bild stellt nur den Marksman dar. Ihr Hebelschneidermodell sieht ggf. etwas anders aus.*



### NICHTSTEIFES MATERIAL

Zum Schneiden von nichtsteifen Materialien kehren Sie die Schneidbacke um: Entfernen Sie die Schneidbacke und den Messeranschlag mit einem 4-mm-Inbusschlüssel. Bauen Sie die Teile so wieder ein, dass die flache Seite statt der abgeschrägten Kante nach oben zeigt. Auf diese Weise lassen sich faserige und nichtsteife Materialien (z. B. Bodenleisten, schmale Vinylplanken) einfacher schneiden.

Für mit Kevlar®-Fasern verstärkte Materialien (z. B. Gummiriemen) muss die flache Seite der Schneidbacke nach oben zeigen. Entfernen Sie aber auch den Kunststoff-Messeranschlag.



### DOPPELSCHNITT

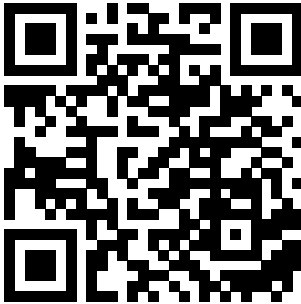
Für manche Materialien reicht ein einziger Schnitt völlig aus. Bestimmte Faserzement-Hausverkleidungen und andere Produkte bedürfen allerdings ggf. eines zweiten Schnitts, um bessere Ergebnisse zu erzielen. Führen Sie Ihren ersten Schnitt einfach in einem Abstand von 3 bis 6 mm von der eigentlichen Schnittlinie aus, bevor Sie den zweiten Schnitt direkt an der Schnittlinie ausführen. Damit erzielen Sie einen saubereren Schnitt, wenn die Schnittkante nicht mit einer Zierleiste oder einem Übergangsstück abgedeckt werden kann.

# WARTUNG

## Honen des Messers

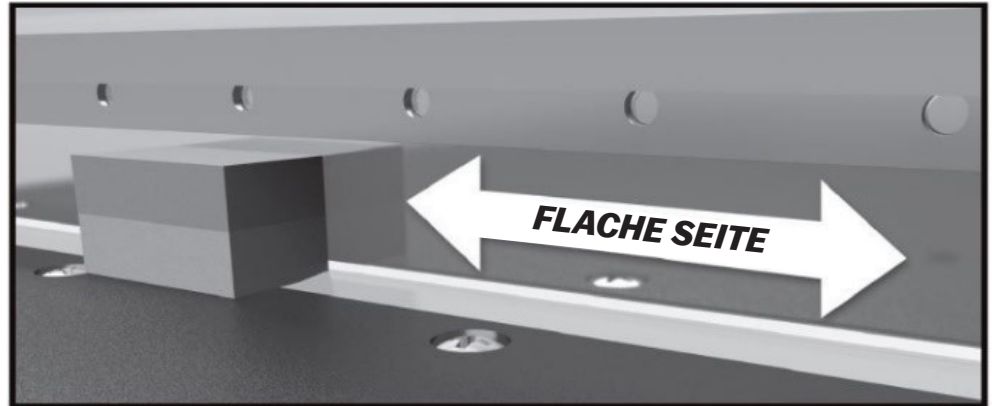
Drücken Sie den Griff so weit nach unten, bis sich die Messerklinge 3 mm über der Tischfläche befindet. Halten Sie den im Lieferumfang enthaltenen Honstein gegen die flache Seite der Klinge. Ziehen Sie den Honstein 3- 4 Mal von einem Ende der Messerklinge zur anderen. Dadurch werden etwaige Grate von der Klinge entfernt.

Einen neuen Hebelschneider sollten Sie nach dem 5. Schnitt erstmals honen. Während der nächsten 100 Schnitte honen Sie das Messer nach jedem 10. Schnitt, bis es eingearbeitet ist. Daraufhin muss es nur noch vor jedem Schneidprojekt gehont werden. Beim Honen der Klinge vorsichtig vorgehen. Die Klinge ist scharf und kann leicht Verletzungen verursachen. Daher wird beim Honen des Messers das Tragen von schnittfesten Handschuhen empfohlen.



Für nähere Informationen über das Honen  
Ihres Schneidmessers scannen Sie diesen  
QR-Code oder besuchen Sie

[www.marshalltown.com/honing-your-blade](http://www.marshalltown.com/honing-your-blade).



## Schärfen der Messerklinge

Durch Schärfen des Messers kann auf einer (1) Seite eine 21°-22°-Schneide wiederhergestellt werden. Die Klinge darf nur auf der abgeschrägten Seite geschliffen werden; die flache Seite muss flach bleiben. Wir empfehlen, ein elektrisches Schärfen nur in einem Fachgeschäft vornehmen zu lassen, da die Klinge während dieses Vorgangs durch eine Flüssigkeit gekühlt werden muss.



## Auswechseln des Messers

**WARNUNG:** Das Messer ist extrem scharf! Beim Auswechseln des Messers sind schnittfeste Handschuhe zu tragen.

**1. HEBELSCHNEIDER UMDREHEN** Tipp: Setzen Sie den Hebelschneider auf einem stabilen Tisch ab.

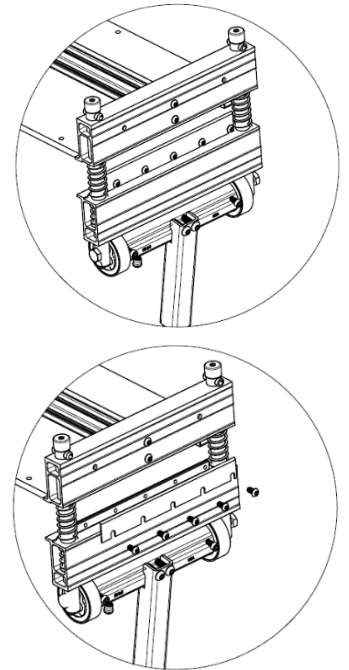
**2. MESSER LÖSEN** Entfernen Sie die Schrauben mit einem Kreuzschlitzschraubendreher.

**3. MESSER ENTFERNEN** Halten Sie das Messer an beiden Enden fest und heben Sie es vorsichtig aus seiner Aufnahme heraus.

**4. MESSER EINBAUEN** Halten Sie das Messer an beiden Enden fest und setzen Sie es vorsichtig in die Messeraufnahme im Kopf ein. Die flache Seite des Messers muss auf den Tisch weisen. Achten Sie darauf, dass das Messer ganz eingesetzt wurde und sich keine Verunreinigungen in der Aufnahme befinden.

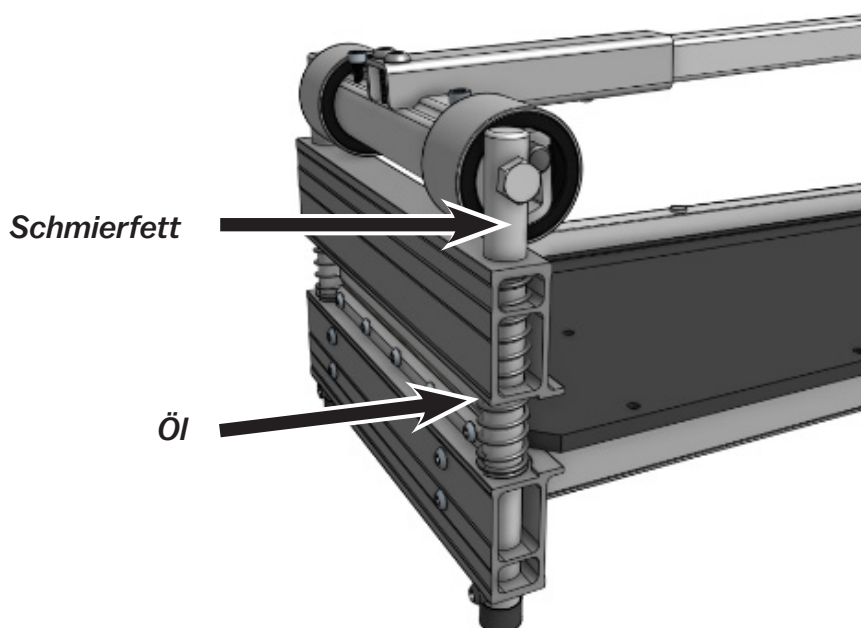
**5. MESSER ANZIEHEN** Setzen Sie die Schrauben wieder ein und ziehen Sie sie mit einem Kreuzschlitzschraubendreher an. Beginnen Sie mit der mittleren Schraube.

*HINWEIS: Dieses Bild stellt nur den SharpShooter 2.0 dar. Ihr Hebelschneidermodell sieht ggf. etwas anders aus.*

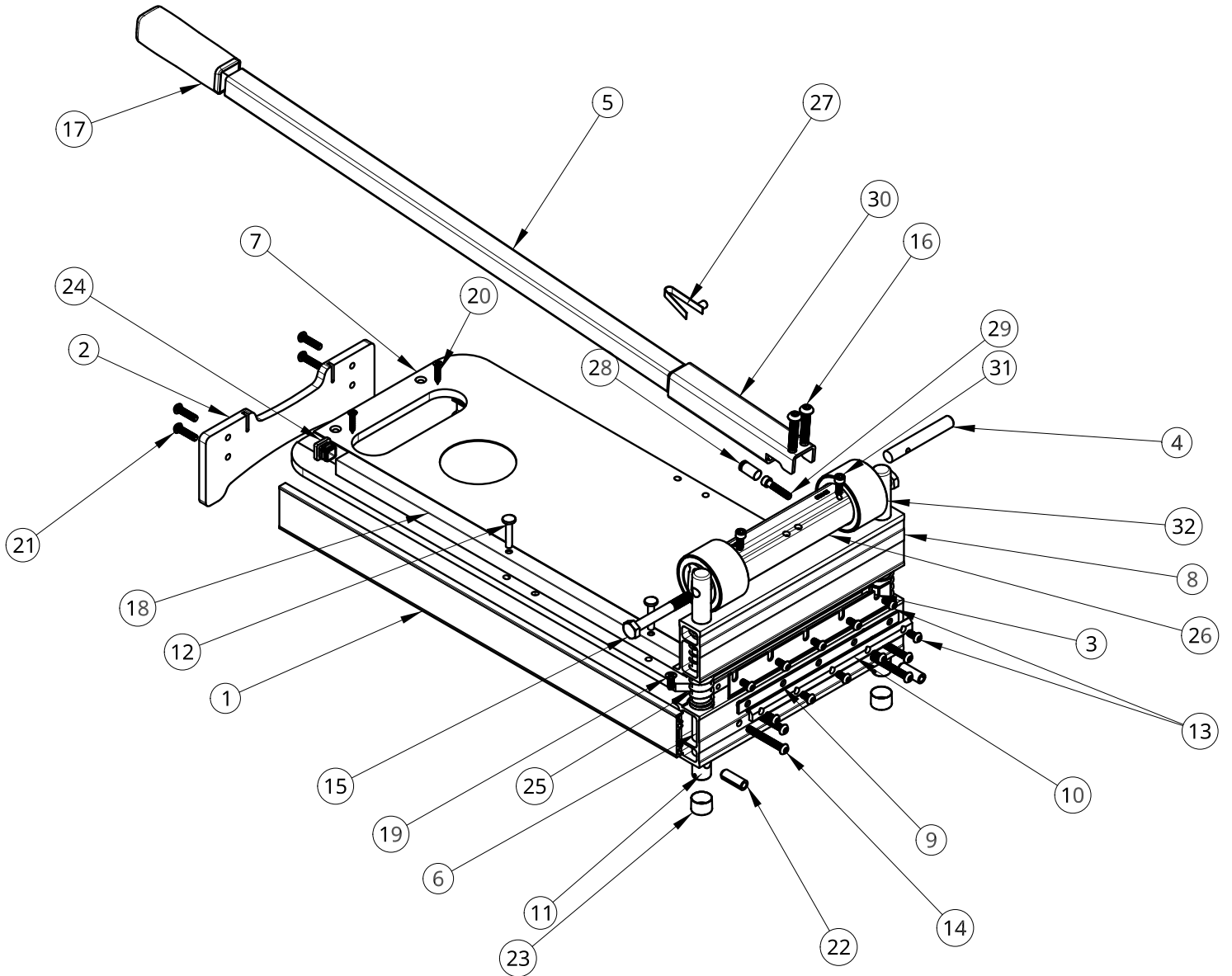


## Schmierung

Es wird empfohlen, den Hebelschneider nach jeweils 100 Schnitten zu schmieren. Tragen Sie an den in der nebenstehenden Abbildung gezeigten Stellen ein Leichtöl und Schmierfett (Radlagerfett) auf. Durch Schmieren des Hebelschneiders wird die Nutzungsdauer des Geräts verlängert und der Schneidvorgang vereinfacht.



# TEILEAUFSCHLÜSSELUNG



# TEILEAUFSCHLÜSSELUNG

NR.	BESCHREIBUNG	EDI	BESTELL-NR.	ANZ.
1	22 <sup>3</sup> / <sub>8</sub> X 2 HEBELSCHNEIDERSCHIENE, 0,95" C2C	WC1005	CON-RAL-W022	2
2	SHARPSHOOTER PRO-SEITENPLATTE	R7320	CON-TAL-PRO9	1
3	SHARPSHOOTER-MESSER, 2 MM D2/M2	WX2579	RAW-BDE-109B	1
4	CAM-LOCK-STIFT, 1/2" DURCHMESSER	R7154	CON-CML-D900	1
5	009 OBERER GRIFF	R7204	CON-HAN-U009	1
6	SHARPSHOOTER PRO-SOCKEL	R7103	CON-BSE-PRO9	1
7	SHARPSHOOTER PRO-TISCH	R7347	CON-TBL-PRO9	1
8	SHARPSHOOTER PRO-KOPFTEIL	R7228	CON-HED-PRO9	1
9	EX09 MESSERANSCHLAG	R7119	CON-BST-EX09	1
10	EX09 SCHNEIDBACKE	R7022	CON-ANV-EX09	1
11	SHARPSHOOTER LITE-STIFT	WU915	COT-PIN-0400	2
12	1/4 x 1/4" ALUMINIUM-SENKKOPFNIET	WR1553	FAS-RVT-2513	2
13	M6-1. 0 X 12 SENKSCHRAUBE MIT INNENSECHSKANT, VERZINKT	WR1585	FAS-SCW-5612	10
14	1/4- 20 X 2" SENKSCHRAUBE MIT INNENSECHSKANT VERZINKT	WR1584	FAS-SCW-5420	4
15	SECHSKANTSCHRAUBE, M10 X 80, KLASSE 10,9, VERZINKT	WR1510	FAS-BLT-EZ80	2
16	M8-1 1/4 X 40 SENKSCHRAUBE MIT INNENSECHSKANT, VERZINKT	WR1589	FAS-SCW-5840	2
17	HANDGRIFF (1 x 1 x 5 x 1/8")	WK232	GEN-HAN-0868	1
18	GENIETETES HEBELSCHNEIDER-FÜHRUNGSLINEAL 19,75 ZOLL	R7178	CON-FNC-1000	1
19	M6-1 x 16 KREUZSCHLITZ-SENKKOPF-MASCHINENSCHRAUBE, VERZINKT	WR1499	FAS-SCW-8569	4
20	NR. 10 x 1 KREUZSCHLITZ-SENKKOPFBLECHSCHRAUBE	WR1556	FAS-SCW-0010	2
21	M6-1 x 25 TORX HALBRUNDKOPF-MASCHINENSCHRAUBE, VERZINKT	WR1598	FAS-SCW-7625	4
22	SPANNSTIFT, M10 X 30	WR1548	FAS-PIN-EZ02	2
23	FUSSDECKEL, 3/4" SCHWARZES VINYL, FCR-12	WL793	GEN-CAP-5039	2
24	EZ-ENDKAPPE, SCHWARZ, PASSEND FÜR RECHTECKIGEN ROHR-ID VON 0,584-0,68"	WL790	GEN-CAP-1075	1
25	DRUCKFEDER, 0,989 X 4", X 0,105, 14 SPIRALEN	WR1634	GEN-SPR-4075	2
26	SHARPSHOOTER PRO-NOCKENWELLE	R7142	CON-CAM-PRO9	1
27	FEDERTASTE, HAARNADEL, 5/16	WR1630	GEN-SPR-0847	1
28	VERBRAUCHTE HÜLSE, 0,40 S&W	WL797	GEN-BUL-LET4	1
29	M6-1 X 30 INNENSECHSKANT-KOPFSCHRAUBE, VERZINKT	WR1577	FAS-SCW-2630	1
30	UNTERER SHARSHOOTER PRO- UND MARKSMAN-GRIFF	R7198	CON-HAN-L100	1
31	M6-1 X 16 INNENSECHSKANT-KOPFSCHRAUBE, VERZINKT	WR1581	FAS-SCW-5021	2
32	LAGERBAUGRUPPE, MARKSMAN/SHARSHOOTER PRO	R7527	SUB-BNG-0150	2



## ERSATZTEILE

ERSATZTEIL-EDI	ERSATZTEIL-NR.	BESCHREIBUNG	EINSCHL. EINZEL-NR
29788	109B	9" EZ SHEAR-SCHNEIDMESSER-ERSATZ	3
29778	PRO-SMK	SHARPSHOOTER PRO-HEBELSCHNEIDER-WARTUNGSSATZ	3,9
29773	PRO9-RP-PH	SHARPSHOOTER PRO-ERSATZSCHNEIDKOPF	4,6,8,9,10,11,13,15,23,26,28,29,31,32
29769	869-RP-0009	ERSATZ-MESSERANSCHLAG, 9" X 1/2" FÜR SHARPSHOOTER PRO- UND MAGNUM-MESSERSCHNEIDE 9"	9
29898	863-RP-EZ80	M10 X 80 SECHSKANT-ACHSSCHRAUBEN-ERSATZ-SET	15
29907	868-RP-MAG	ERSATZHANDGRIFF, 1" QUADR. X 5"	17
29766	854-RP-0009	SCHNEIDBACKENERSATZ, 9" X 1/2" FÜR SHARPSHOOTER- UND MAGNUM-MESSERSCHNEIDE 9"	10
29860	847-RP	HANDGRIFF-ERSATZFEDERSTIFT, 5/16" 1-SEITIG	27
29881	858-RP-U009	RECHTECKIGER 1"-ERSATZHANDGRIFF, NUR OBEN (SHARPSHOOTER U. MARKSMAN)	5,17,27
29870	856-RP-100F	ERSATZ-FÜHRUNGSLINEAL FÜR SHARPSHOOTER, MARKSMAN, EZ SHEAR	12,18,24
29855	838-RP-EZ	ERSATZFUSSDECKEL (2 ST.) FÜR SHARPSHOOTER, MARKSMAN, EZ SHEAR	23
R7198	CON-HAN-L100	13" UNTERER MARKSMAN-GRIF-BEARBEITET 7"	30
WR1585	FAS-SCW-5612	M6-1,0 X 12 MM INBUS 10,9 ZINK HALBRUNDKOPF-INNENSECHSKANTSCHRAUBE	13
WR1589	FAS-SCW-5840	M8-1,25 X 40 MM INBUS 10,9 ZINK HALBRUNDKOPF-INNENSECHSKANTSCHRAUBE	16



## FEHLERSUCHE UND -BEHEBUNG

### **Vor dem Ergreifen von Fehlersuchmaßnahmen in der Anleitung nachschlagen:**

- Haben Sie Ihren Hebelschneider richtig zusammengebaut?
- Wird er richtig bedient?
- Wurde er ordnungsgemäß geschmiert?
- Wurde das Messer wie empfohlen geschmiert?

### **Eine visuelle Inspektion des Hebelschneiders durchführen und auf Objekte achten, die den Fahrweg des Messers oder Schneidkopfes blockieren könnten:**

- Fremdkörper zwischen Messer und Schneidbacke, in den Federstiften oder unter der Nockenwelle.
- Überprüfen Sie das Messer auf Scharten, Sprünge und Grate.
- Stellen Sie sicher, dass die Lager intakt und geschmiert sind. Sie sollten sich beim Gebrauch auf der Nockenwelle nicht drehen bzw. bewegen.

*HINWEIS: Diese Fehlersuchanleitung bezieht sich auf alle Bullet-Hebelschneider. Wenn Sie sich nicht sicher sind, ob bestimmte Fehlersuchhinweise auf Ihren Hebelschneider zutreffen, wenden Sie sich bitte an den Marshalltown-Kundendienst.*

<b>PROBLEM</b>	<b>ERSTE PRÜFUNG</b>	<b>ZWEITE PRÜFUNG</b>	<b>DRITTE PRÜFUNG</b>	<b>VIERTE PRÜFUNG</b>
Schwierigkeiten beim Schneiden	Sicherstellen, dass das Cam-Lock entriegelt ist. Falls vorhanden, die Schneidnocken aktivieren (Modell 226)	Sicherstellen, dass der Griff GANZ ausgefahren ist.	Messer auf Schärfe/ Zustand überprüfen.	Lager/Stifte inspizieren und schmieren.
Schneidgut wird nicht vollständig durchgeschnitten.	Stifte auf längliche/ ausgeschlagene Öffnung inspizieren.	Vorderen Hubanschlag einstellen (MAGNUM-Hebelschneider).	Lager auf Verschleiß/ Spiel überprüfen.	Sicherstellen, dass sich das Messer in der korrekten Nennhöhe befindet.
Messer bleibt nach Ausführung des Schnitts stecken.	Messeranschlüge überprüfen/ausbauen und bei Beschädigung auswechseln.	Sicherstellen, dass die Messerschrauben fest angezogen sind.	Schneidbacke entfernen, umdrehen, wieder einbauen.	Schneidbacke auf Markierungen überprüfen (Überbiss).
Grobe oder stumpfe Schnitte	Furnierdicke überprüfen (max. 1,5 mm)	Messorzustand überprüfen (Scharten, Ungleichmäßigkeiten)	Sicherstellen, dass das Messer gehont wurde und scharf ist.	Liste des genehmigten Schneidguts lesen.
Schnitte verlaufen nicht rechtwinklig.	Schrauben des Führungslinals lockern, Lineal ausrichten, wieder anziehen.	Stifte auf ungleichmäßige Abnutzung überprüfen.	Messer und Schneidbacke/ Messeranschlag auf Kontakt überprüfen.	
Griff kehrt nicht in offene Stellung zurück.	Sicherstellen, dass die Stifte geschmiert sind.	Schmierfett auf Kontaktbereich des Lagers auftragen.	Achsschrauben schmieren.	Federn auf Brüche überprüfen.
Schneidgut passt nicht in den Schneidbereich.	Max. Dicke des Schneidguts für den Hebelschneider nachsehen.	Hinteren Hubanschlag umkehren.	Sicherstellen, dass sich das Messer in der korrekten Nennhöhe befindet.	Bei Vorhandensein von zwei Lagern zwischen dem jeweils aktiven Lager wechseln.
Cam-Lock-Stift verbogen/steckt fest.	Hebelschneider nicht am Griff anheben oder tragen.	Griff langsam in offene Stellung zurückstellen – nicht zurückschnellen lassen.	Cam-Lock-Stift VOR dem Schneiden lösen.	
Scharten im Messer	Gemäß Anleitung honen (~25 Schnitte, dann täglich).	Kein faseriges Bambusholz schneiden.	Keine Hochdrucklamine schneiden.	Furnierdicke überprüfen (max. 1,5 mm)
Stiftöffnungen sind am Durchgangspunkt der Nockenachse ausgestoßen/ länglich.	Hebelschneider nicht am Griff anheben oder tragen.	Griff langsam in offene Stellung zurückstellen – nicht zurückschnellen lassen.	Furnierdicke überprüfen (max. 1,5 mm)	Liste des genehmigten Schneidguts lesen.
Schneidgut wird nicht bis zur Kante geschnitten.	Ausrichtung des Führungslinals überprüfen und ggf. einstellen.	Schneidgut nicht über die Messerschneide hinaus „abwinkeln“.	Sicherstellen, dass Winkellineale so eingebaut sind, dass die BREITE Kante nach innen weist (Modell 620).	

# **BULLET**

**B Y M A R S H A L L T O W N ®**

104 S. 8th Ave., Marshalltown, Iowa  
Tel.: +1 800-888-0127 / +1 641-753-0127  
Fax: +1 800-477-6341 / +1 641-753-6341  
[www.MARSHALLTOWN.com](http://www.MARSHALLTOWN.com)  
WS2550revA