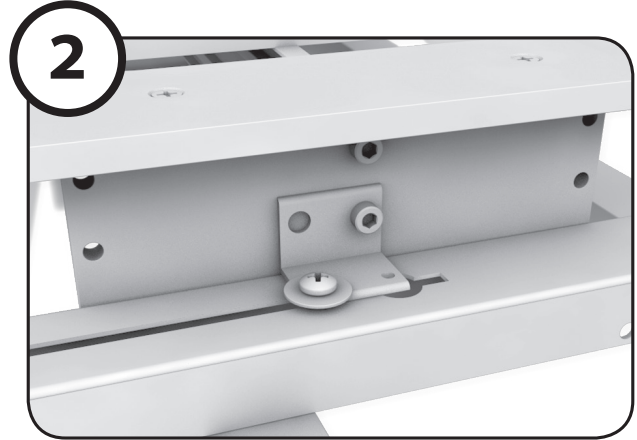
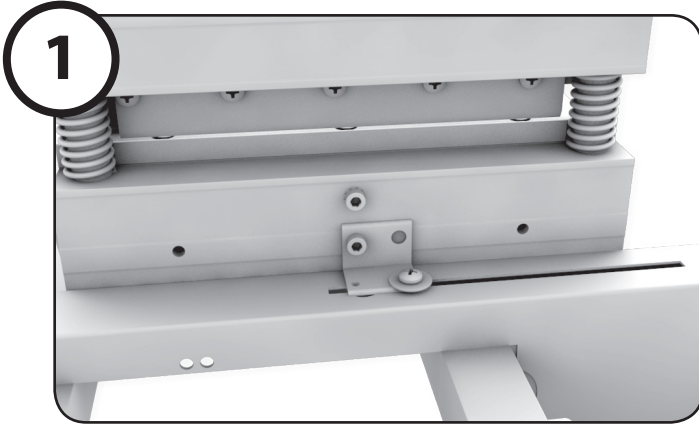


200MB INSTALLATION

1. Attach mounting brackets to power assembly base with existing fasteners, as shown.

2. Attach mounting brackets to machine foot with existing fasteners, as shown.



Note: This kit is used for multiple shear models Your shear may not use all of the parts included.

Questions? Call us at 208-772-0175

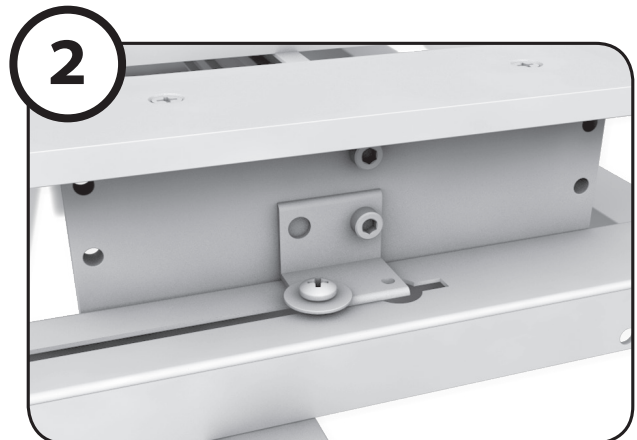
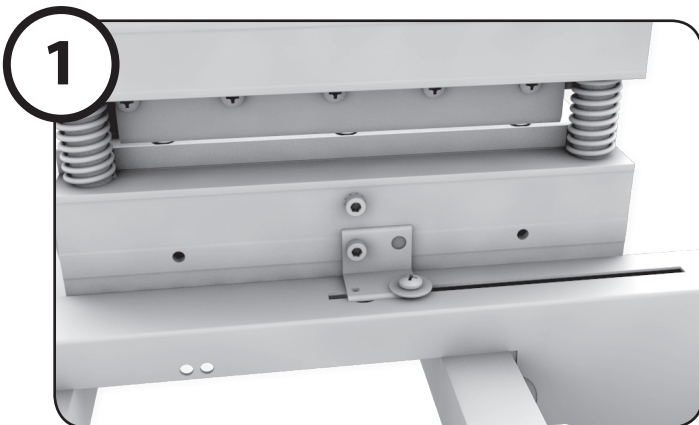


PRT-INS-20MB.RevD.10.18 ©2018 Bullet Tools

200MB INSTALLATION

1. Attach mounting brackets to power assembly base with existing fasteners, as shown.

2. Attach mounting brackets to machine foot with existing fasteners, as shown.



Note: This kit is used for multiple shear models Your shear may not use all of the parts included.

Questions? Call us at 208-772-0175



PRT-INS-20MB.RevD.10.18 ©2018 Bullet Tools