

BULLET

BY MARSHALLTOWN®

MAGNUM EDGE SIDING SHEAR

Part #MS20-1613 | EDI #29986



104 S. 8th Ave. | Marshalltown, IA
Phone 800-888-0127 / 641-753-0127 | Fax 800-477-6341 / 641-753-6341
www.MARSHALLTOWN.com
WS2643revA

INTRODUCTION

Thank you for your purchase of the Bullet by MARSHALLTOWN 13" Magnum Edge Siding Shear. This top-of-the-line, American-made siding shear is a versatile, heavy-duty siding shear designed with the siding professional in mind.

Your new Magnum Edge Siding Shear includes features such as:

- The ability to cut without dust, noise, or electrical cords
- A shear blade outlasts 20 saw blades
- Built-in ruler and LED light kit for precision cuts
- Moveable fence allows for both 90- and 45-degree cuts
- Universal mount brackets for easy shear stand, sawhorse, or scaffolding mounting
- Reduces airborne silica dust below OSHA minimum thresholds for PPE

Can cut materials up to 1" thick and 13" wide, including:

- Fiber Cement/Vinyl/Wood Siding
- OSB Siding
- Rubber
- Soft Plastic
- WPC
- Laminate Siding
- PVC/OSB trim up to 4/4 or 1" thick
- Pressboard Lap
- Tar & Wood Shingles

This owner's manual provides the information needed to operate and maintain this Magnum Edge Siding Shear. Carefully read and follow all safety and operating instructions in this manual. Ensure every operator of this siding shear reads this manual before operating the unit. The replacement of any part on this siding shear with a component other than a manufacturer authorized replacement part may adversely affect the performance, durability, or safety of the product.

Be sure safety precautions are observed. Read and follow all safety and operating instructions in this operator's manual.

The manufacturer reserves the right to make changes on or add improvements to its product at any time without prior notice or obligation. The manufacturer reserves the right to decide, upon its sole discretion and at any time, to discontinue this product or replacement parts thereof.

This manual covers the Magnum Edge Siding Shear. For technical questions or repair parts, please call MARSHALLTOWN customer service at 1-800-888-0127 or visit www.MARSHALLTOWN.com.

TABLE OF CONTENTS

Introduction.....	2
Safety Precautions.....	3
Safety Decals	4
Warranty.....	4
Setup	5
Production Operation.....	5
Adjustments.....	5-7
Maintenance.....	7-8
Troubleshooting.....	9
Parts Breakdown.....	10-11
Replacement Parts	11


SAFETY PRECAUTIONS




- DANGER or WARNING safety signs are located near specific hazards.
- General precautions are listed on CAUTION safety signs.

This notation appears before warnings in the text. It means that the step that follows must be carried out to avoid the possibility of personal injury or death. These warnings are intended to help the technician avoid any potential hazards encountered in the normal service procedures. We strongly recommend that the reader takes advantage of the information provided to prevent personal injury or injury to others.


THE FOLLOWING PRECAUTIONS ARE SUGGESTED TO HELP PREVENT ACCIDENTS. A CAREFUL OPERATOR IS THE BEST OPERATOR. MOST ACCIDENTS CAN BE AVOIDED BY OBSERVING CERTAIN PRECAUTIONS. READ AND TAKE THE FOLLOWING PRECAUTIONS BEFORE OPERATING THIS EQUIPMENT TO HELP PREVENT ACCIDENTS. EQUIPMENT SHOULD BE OPERATED ONLY BY THOSE WHO ARE RESPONSIBLE AND INSTRUCTED TO DO SO.

 CALIFORNIA PROPOSITION 65 WARNING: This product can expose you to chemicals known to the State of California to cause cancer, birth defects, or other reproductive harm.

- Read all operating and maintenance instructions before operating or servicing the siding shear.
- A siding shear is only as safe as its operator. Give complete and undivided attention to the operation of the siding shear.
- Know how to stop the siding shear instantly.

 NEVER operate the siding shear if any shear components have been removed.

- Always keep inexperienced and unauthorized people away from the siding shear.
- Keep the siding shear in good operational condition. Loose or damaged parts are dangerous.
- Avoid loose clothing that could get caught in moving parts.

 Keep hands and feet away from moving parts.

- Keep all warning, caution, and safety instruction labels in good condition. Replace missing, damaged, or illegible labels.
- Clear the work area around the shear to prevent tripping or falling onto the shear.
- Operate on level ground to prevent the siding shear from flipping over.
- DO NOT OPERATE this siding shear under the influence of alcohol or while taking medication that impairs your reactions.
- Use only factory authorized parts for replacement.
- Wear safety glasses when operating the siding shear.
- Always use caution when replacing the shear blade.
- Only operate the shear with the approved materials. If extreme force is required to cut a material, it may result in personal injury and/or damage to the siding shear.
- Wear proper protective clothing while operating siding shear, including eye, ear, and clothing.
- Handle all solvents and cleaning agents with care and follow manufacturer's instructions on safety and disposal.

SAFETY DECALS

If your safety decals are damaged, they can be replaced by contacting Customer Service.



R6166



R7566

WARRANTY

This product is warranted to the original purchaser only, to be free of defects in material and workmanship under normal use, for five years from purchase date. MARSHALLTOWN shall without charge for parts and labor, repair or replace such parts which are found to be defective. All transportation charges for replacement parts must be borne by the purchaser.

For warranty service, the product must be delivered, with proof of purchase date, to MARSHALLTOWN. Contact MARSHALLTOWN Customer Service to determine the best method of delivering the product that is under warranty. The delivery of the product must be made no later than 30 days after the expiration of the warranty period.

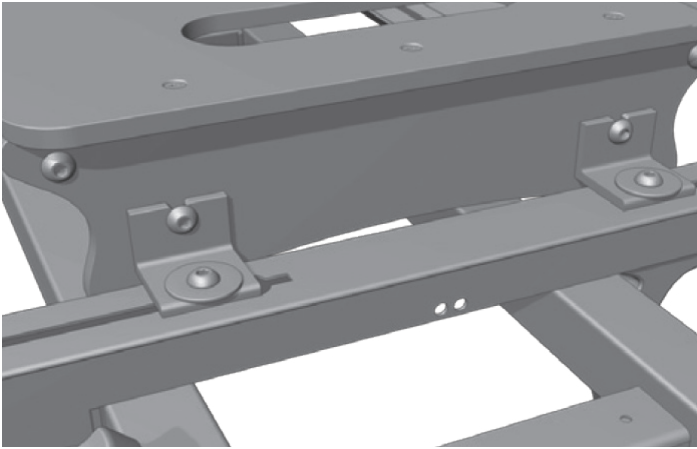
All implied warranties, including those of merchantability and fitness for a particular purpose, are limited to one year from date of purchase by the original retail customer and to the extent permitted by law any and all implied warranties are excluded and disclaimed after the expiration of such period.

Some states do not allow limitations on how long an implied warranty lasts, or the exclusion or limitations of incidental or consequential damages, so the above limitations or exclusions may not apply to you. This warranty gives you specific legal rights, and you may also have other rights, which vary from state to state.

Exclusion from this warranty:

1. All consequential damages, including pickup and delivery of the unit, communication, mileage charges and/or rental of a replacement unit during repairs are not covered under this warranty, or are any loss of income and/or other loss resulting from the failure of the product to function due to a warranty defect.
2. This warranty will not apply when the product becomes inoperative due to misuse, normal wear, neglect, improper maintenance, accident or freight damage; has not been operated and maintained in accordance with the instructions furnished in the Operator's Manual; or has been altered or modified without approval from the factory Service Department.
3. No parts or products are to be returned to the factory without prior written approval from the factory.

SETUP



INSTALL MOUNTING BRACKETS AND ATTACH TO CUT STATION OR STAND

Using a T30 bit (included) and socket or screw driver, unscrew four lower rail attachment bolts $\frac{1}{4}$ " (6mm). Slip mounting brackets up over rail attachment bolts and tighten securely. Fasten to chop-saw stand or cut station using appropriate hardware such as $\frac{5}{16}$ " diameter bolts or lag-screws and corresponding washers (not included). When using a bench-type cut station, it is convenient to fasten some dimensional lumber in place as 'spacers' before attaching your shear.

PRODUCT OPERATION

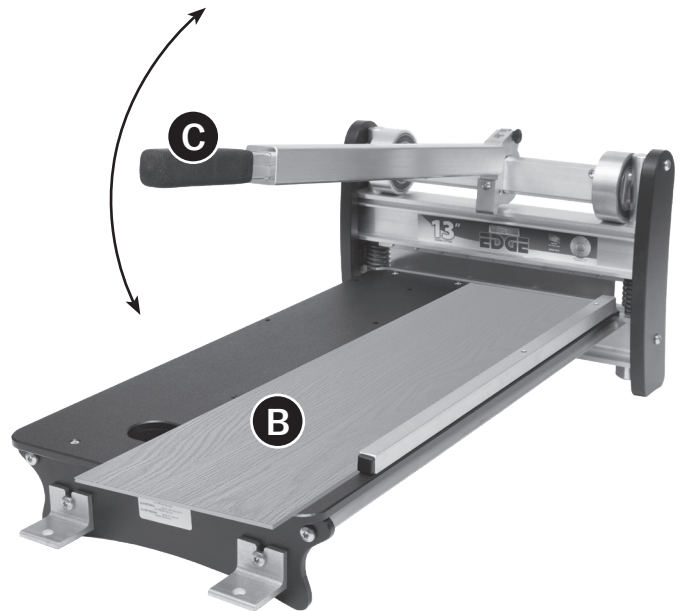
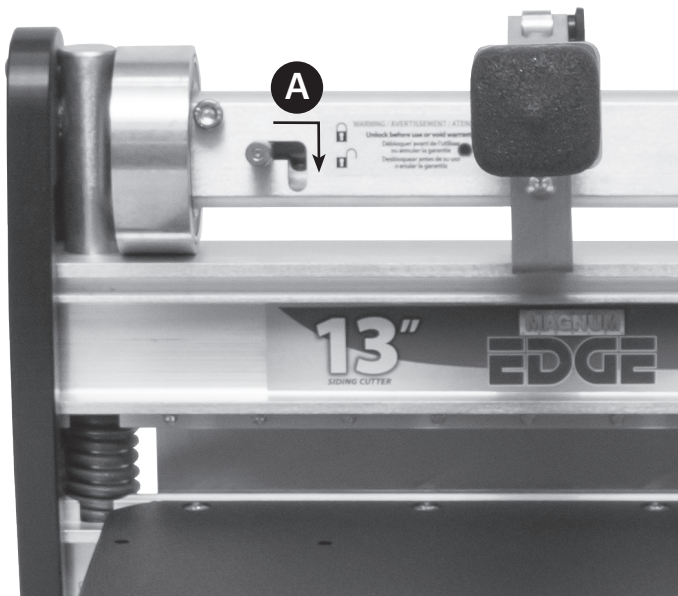


CAUTION
BLADE IS VERY SHARP - USE EXTREME CAUTION



MAKING CUTS

The Magnum Edge Siding Shear is operated manually. The two-part extendable handle is grasped by the operator and pushed down to make a cut. A SIDING BLADE IS PRE-INSTALLED IN THIS SHEAR, DO NOT USE IT TO CUT HARDWOOD.



1. To unlock, gently press handle down, slide Cam-Lock (A) in and down.

2. Place material (B) on table, and slide under blade to desired cut position.

3. Push handle (C) down until material is completely cut.

TIP: DOUBLE CUTTING

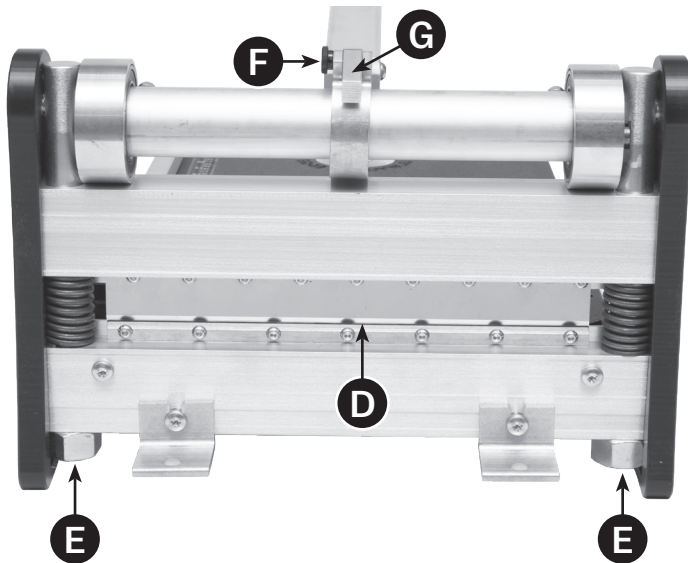
Most materials shear very well with just one cut. However, some brands may require cutting twice to produce a better cut.

Simply make your first cut $\frac{1}{8}$ " to $\frac{1}{4}$ " (3 to 6mm) longer than your mark, then go back and make your second cut on your mark. This is very useful to create a cleaner cut when a trim molding or transition cannot be used to cover your cut end.

ADJUSTMENTS



NOTICE
DO NOT CUT HARDWOOD WITH THIS SHEAR!



DEPTH ADJUSTMENTS

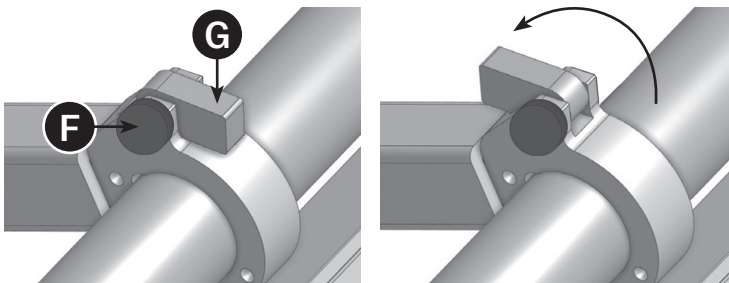
The blade should be set so it cuts into the plastic blade stop (D) when the handle is pressed down.

To set the blade depth, rotate the two large nuts (E) on the underside of the base with a 1½" (38mm) wrench.

Ensure that both are turned an equal amount.

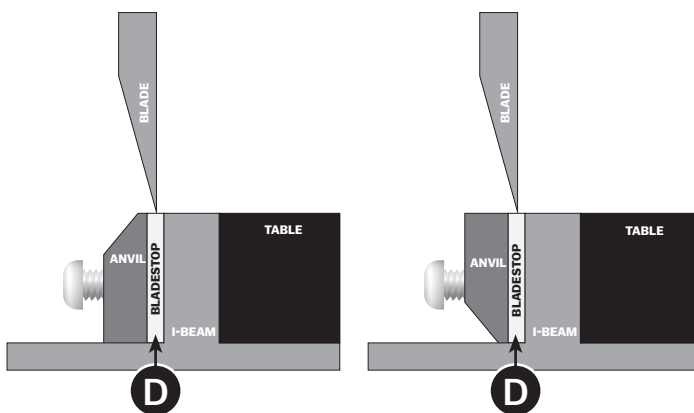
Adjust in quarter turn increments and check to see how deep the blade is set.

To open the blade to cut 1" material, loosen the Back Stop Knob (F) and rotate the Back Stop (G) up.



BACKSTOP DOWN

BACKSTOP UP



THE ANVIL

The anvil has two edges: a ½" (0.75mm) narrow edge and a ¾" (4.5mm) wide edge. Either edge can be used according to the support needed to make a clean cut. Some soft-backed products require the wider anvil edge.

TO CHANGE BETWEEN ANVIL EDGES

Simply remove the anvil screws and flip the anvil over. Ensure blade stop is in place.



Approved materials may vary in density and hardness. If extreme pressure is required to cut a product, it may result in damage to your machine. Please contact MARSHALLTOWN Tools before proceeding.

Warranty is void if an unapproved product damages the machine.



ADJUSTMENTS



CAM LOCK IN LOCKED POSITION



CAM LOCK IN UNLOCKED POSITION

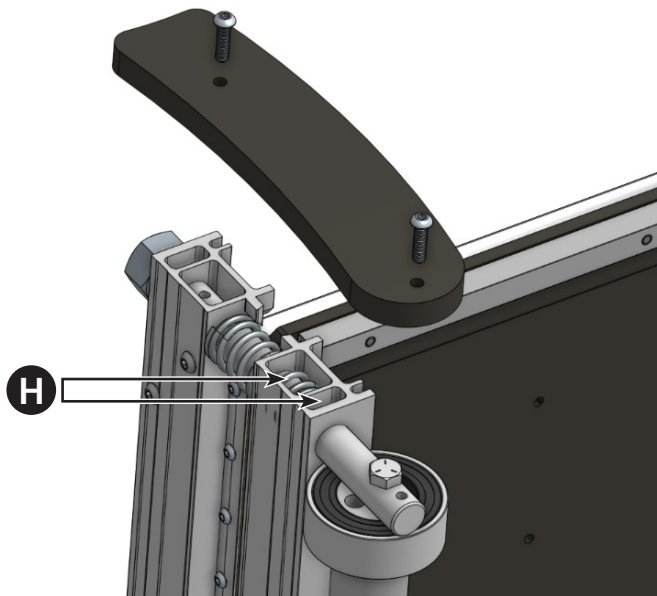
SAFETY LOCK

For maximum security, the safety lock will automatically reset in the “locked” position unless disengaged. The safety lock can be disengaged by sliding the knob over and down, hooking into slot.

TRANSPORT

It is important to re-engage lock and secure unextended handle in down position while storing, carrying, or transporting your Magnum Edge Flooring Shear.

MAINTENANCE



LUBRICATING

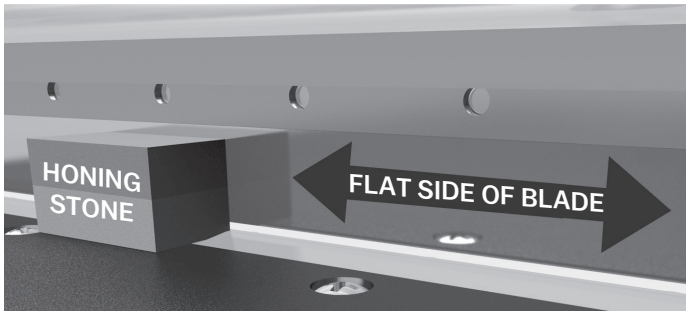
Your Magnum EDGE has been pre-lubricated with grease under the end caps. Re-Grease every 2 years of use, or if the shear starts squeaking.

1. Lock the handle down
2. Lay your Magnum EDGE on its side
3. Remove the end cap by unscrewing the two button head screws with a 5mm hex “Allen” wrench
4. Fill the grease cavity (H) with grease
5. Re-attach the end cap
6. Repeat procedure on the other side

THE BLADE STOP

The blade stop may become worn. Remove anvil, turn blade stop over for more use. Replacements can be purchased at your dealer.

MAINTENANCE



For more information on honing your blade, follow this QR Code link or URL below:

<https://marshalltown.com/honing-your-blade>

HONING THE BLADE

Push the handle down until the blade is $\frac{1}{8}$ " (3mm) above the tabletop. Place the provided Hone Stone against the flat side of the blade. Slide the honing stone from one end of the blade to the other 3-4 times. This will remove any burrs from your blade.

When you first get your shear, you should hone after your 5th cut, then hone your blade every 10th cut for the first 100 cuts until your blade is broken in. From there, you only need to hone once per job. Use caution when honing the blade. The blade is sharp and can easily cause injury. Cut resistant gloves are recommended when honing the blade.

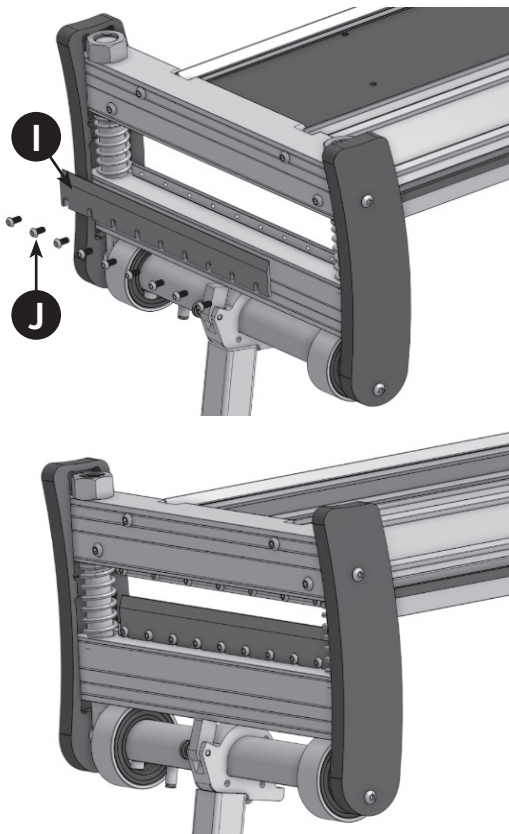


SHARPENING THE BLADE

The blade can be sharpened to restore a one-sided, 21° – 22° knife edge. It is important to note that the blade must be sharpened only on the beveled side, leaving the flat side flat.

We recommend that power grinding only be done professionally, as the blade must be fluid cooled during this process.

REPLACING THE BLADE



1. TURN SHEAR UPSIDE DOWN

Tip: put the shear on the edge of a sturdy table.

2. LOOSEN BLADE (I)

Using a $\frac{5}{32}$ " (4mm) hex key "Allen" wrench, remove the Button Head Socket Cap Screws screws (J).

3. REMOVE BLADE

Hold blade by each end and carefully lift out of pocket

4. INSTALL BLADE

Hold blade by each end and carefully place into the blade pocket in the head, with the flat side of the blade facing the table. Be sure that it is firmly seated, and the pocket is clear of debris.

5. TIGHTEN THE BLADE

Using a $\frac{5}{32}$ " (4mm) hex key "Allen" wrench, replace & tighten the screws, starting with the center screw.



WARNING

USE EXTREME CAUTION! Blade is very sharp.



TROUBLESHOOTING

Before troubleshooting double-check the manual:

- Is your shear properly assembled?
- Is it being operated correctly?
- Is it properly lubricated?
- Has the blade been honed as recommended?

Visually inspect shear, watching for objects that might obstruct the blade or powerhead travel:

- Foreign material presence between the blade and anvil, in the pin springs or under the cam.
- Check your blade for chips, cracks or burrs.
- Make sure bearings are intact and lubricated. They should not be spinning/moving on the cam during use.

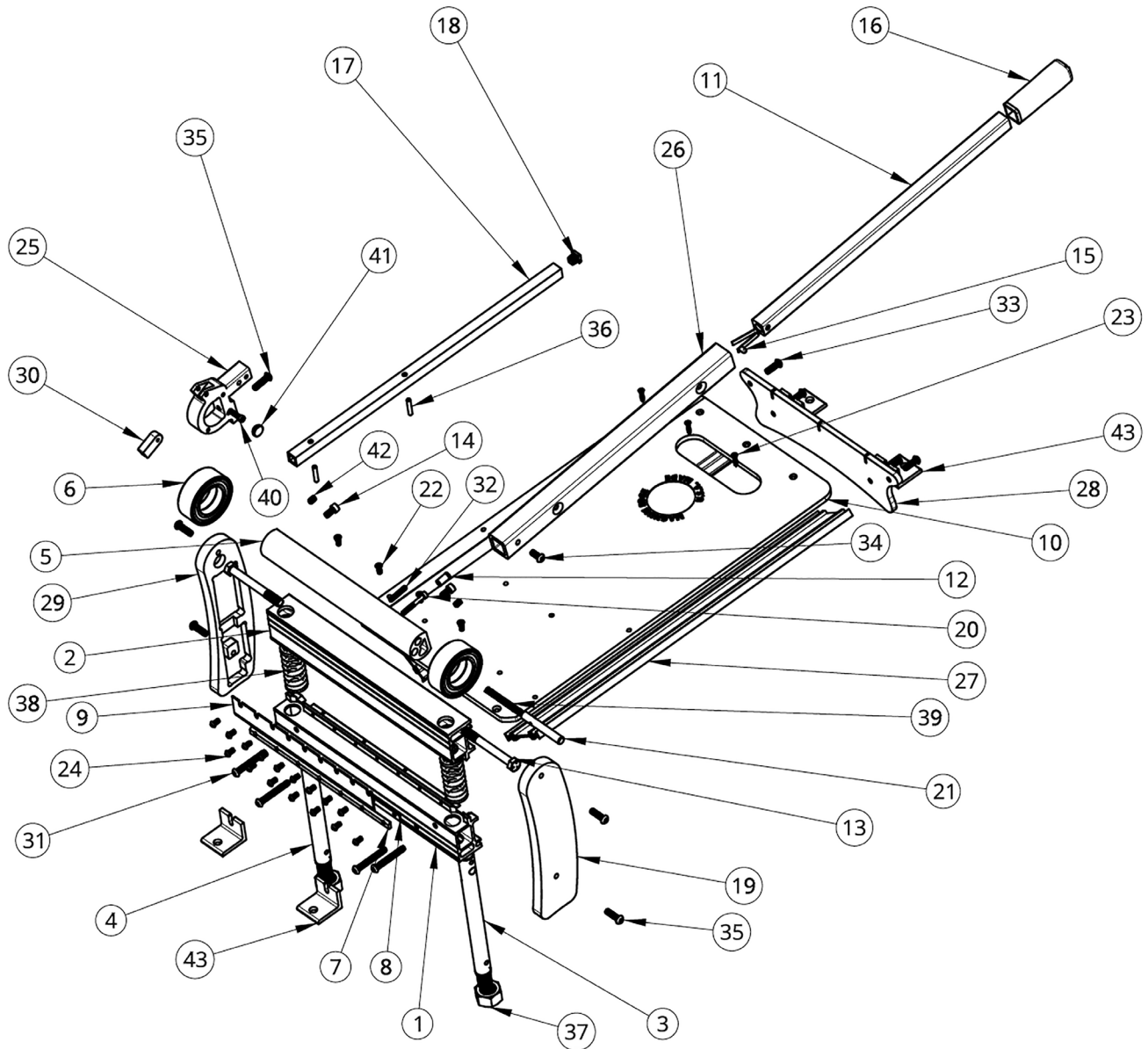
NOTE: This troubleshooting is for all Bullet shears. If you are uncertain if it pertains to your shear, please contact Marshalltown customer service.

PROBLEM	CHECK FIRST	CHECK SECOND	CHECK THIRD	CHECK FOURTH
Difficulty cutting	Ensure cam lock is OFF. If equipped, engage power lobes (Model 226)	Make sure handle is FULLY extended	Check blade sharpness/condition	Inspect and lubricate bearings/pins
Not cutting completely through material	Inspect pins for oblong/wallowed orifice	Adjust front stroke stop (MAGNUM shears)	Check bearings for wear/play	Ensure blade is proper nominal height
Blade sticking after completing cuts	Check/remove & replace blade stops if damaged	Ensure blade screws are tight	Remove anvil, turn it over, reinstall	Check for marks on anvil (overbite)
Rough or crushed cuts	Check veneer thickness (max= 1/16")	Check blade condition (chips, burrs, breaks)	Ensure blade is honed and sharp	Review approved materials list
Cuts aren't square	Loosen fence screws, align fence, tighten	Check pins for uneven wear	Inspect blade and anvil/blade-stop for contact	
Handle not returning to open position	Ensure pins are lubricated	Apply grease to contact area of bearing	Lubricate axle bolts	Check springs for breakage
Material won't fit into cut area	Check max thickness of material for your shear	Reverse back stroke stop	Ensure blade is proper nominal height	If you have two bearings, switch which bearing is engaged
Cam lock pin bent/stuck	Do not lift or carry shear by the handle	Return handle slowly to open position - do not "let it fly"	Disengage cam lock pin BEFORE cutting	
Blade chipping	Hone as directed in manual (~25 cuts, then daily)	Do not cut stranded bamboo	Do not cut high pressure laminate	Check veneer thickness (max=1/16")
Pin openings wallowed out / oblong where cam axle passes through	Do not lift or carry shear by the handle	Return handle slowly to open position - do not "let it fly"	Check veneer thickness (max= 1/16")	Review approved materials list
Not cutting to edge of material	Check fence alignment - adjust if needed	Do not "angle" material beyond the blade edge	Ensure angle fence(s) are installed with WIDE edge inward (620 model)	

PARTS BREAKDOWN LIST

REF#	EDI	PART#	DESCRIPTION	QTY
1	R7089	CON-BSE-1913	MAGNUM 1913 BASE	1
2	R7216	CON-HED-1913	MAGNUM 1913 HEAD	1
3	WU948	COT-PIN-190L	MAGNUM 1900 SERIES PIN (LEFT) Zinc Plated	1
4	WU966	COT-PIN-190R	MAGNUM 1900 SERIES PIN (RIGHT) Zinc Plated	1
5	R7127	CON-CAM-1913	MAGNUM 1913 CAM	1
6	R7529	SUB-BNG-PCAM	BEARING ASSEMBLY, POWERCAM FOR MAGNUM SHEARS	2
7	R7023	CON-ANV-EX13	ES00-EX13 ANVIL	1
8	R7120	CON-BST-EX13	ES00-EX13 BLADE STOP	1
9	WX2591	RAW-BDE-213B	13" SIDING SHEAR BLADE	1
10	R7333	CON-TBL-1913	MAGNUM 1913 TABLE	1
11	R7207	CON-HAN-U900	MAGNUM SERIES UPPER HANDLE	1
12	WX2532	GEN-BUL-LET4	.40 S&W SPENT CASING	1
13	WR1508	FAS-BLT-9037	½ X 4½ HEX HEAD GRADE 5 PLATED AXLE BOLT	2
14	WR1611	FAS-SCW-9040	M8 x 16 SHCS 12.9	2
15	WR1630	GEN-SPR-0847	BUTTON SPRING, HAIRPIN, ⅝	1
16	WK232	GEN-HAN-0868	HANDLE GRIP, (1 x 1 x 5 x ⅛")	1
17	R7184	CON-FNC-9000	UNIVERSAL FENCE	1
18	WL795	GEN-CAP-850E	END CAP, ⅝" SQ, LDPE BLK	1
19	R7173	CON-END-190L	MAGNUM 1900 SERIES LEFT ENDCAP	1
20	WR1506	FAS-BLT-9010	M6 x 45MM SHCS	1
21	R7154	CON-CML-D900	½" DIAMETER CAM LOCK PIN	1
22	WR1604	FAS-SCW-8569	M6-1.0 x 16 FHPMS ZP	4
23	WR1556	FAS-SCW-0010	#10 x 1 FHPMS	3
24	WR1585	FAS-SCW-5612	M6-1.0 x 12 BHSCS Zinc Plt	16
25	R7296	CON-STB-1900	MAGNUM 1900 SERIES HANDLE STUB	1
26	R7191	CON-HAN-190L	MAGNUM 1900 SERIES LOWER HANDLE	1
27	WC1148	CON-RAL-1900	MAGNUM 1900 SERIES RAIL	2
28	R7310	CON-TAL-1913	MAGNUM 1913 TAIL	1
29	R7174	CON-END-190R	MAGNUM 1900 SERIES RIGHT ENDCAP	1
30	R7107	CON-BSS-19BS	MAGNUM 1900 SERIES BACK STROKE STOP	1
31	WR1597	FAS-SCW-7525	⅝-18 X 2½ TORX PH THREAD CUTTING SCREW	4
32	WR1610	FAS-SCW-9035	SET SCREW, M6 x 35mm, CUP PT	1
33	WR1596	FAS-SCW-7510	⅝-18 X 1 TORX PH THREAD CUTTING SCREW	4
34	WR1587	FAS-SCW-5821	M8-1.25 x 20 BHSCS Zinc Plated	1
35	WR1588	FAS-SCW-5830	M8-1.25 x 30 BHSCS Zinc Plated	5
36	WR1541	FAS-PIN-0881	DOWEL PIN, ¼" x 1¼"	2
37	WR1524	FAS-NUT-1014	1-14 Nut	2
38	WR1631	GEN-SPR-0859	SPRING, 1.046 ID x 3.5L	2
39	WR1640	GEN-SPR-D000	SPRING, ⅜ x 3½", CAM LOCK	1
40	WR1737	FAS-SCW-EZ04	M6 x 25 SHCS ZP	1
41	WL814	GEN-KNB-931B	M6 PUSH ON KNURLED KNOB FOR SHCS	1
42	WR1612	FAS-SCW-9041	M8 X 12 SET SCREW -CUP POINT	2
43	R7076	CON-BRK-1600	SHEAR STAND MOUNTING BRACKET FOR MAGNUM EDGE	4

PARTS BREAKDOWN



REPLACEMENT PARTS

REF #	DESCRIPTION	EDI	PART #
9	13" SIDING SHEAR BLADE	29810	213B
15	REPLACEMENT HANDLE SPRING PIN, 5/16" 1 SIDED	29860	847-RP
7	ANVIL REPLACEMENT, 13" X 1/2" FOR MARKSMAN AND MAGNUM EDGE	29766	854-RP-1113
8	BLADESTOP REPLACEMENT, 13" X 1/2" FOR MARKSMAN AND MAGNUM EDGE 13"	29768	869-RP-1113
16	REPLACEMENT HANDLE GRIP, 1" SQ X 5"	29907	868-RP-MAG
17,18,36	REPLACEMENT FENCE, EDGE, 220-SID, I-SERIES MAGNUM	29871	856-RP-I
11,15,16	REPLACEMENT HANDLE UPPER ONLY (EDGE 13 & I-SERIES MAGNUM)	29883	858-RP-U900
6	REPLACEMENT BEARING SET, 2EA PC BALL BEARINGS W/ SLEEVES	29905	856UPG-RP
21	1/2" CAMLOCK PIN REPLACEMENT	29763	860-MAG-RP
24	M6-1.0 X 12 BHSCS ZINC PLATED	WR1585	FAS-SCW-5612

BULLET

B Y M A R S H A L L T O W N®

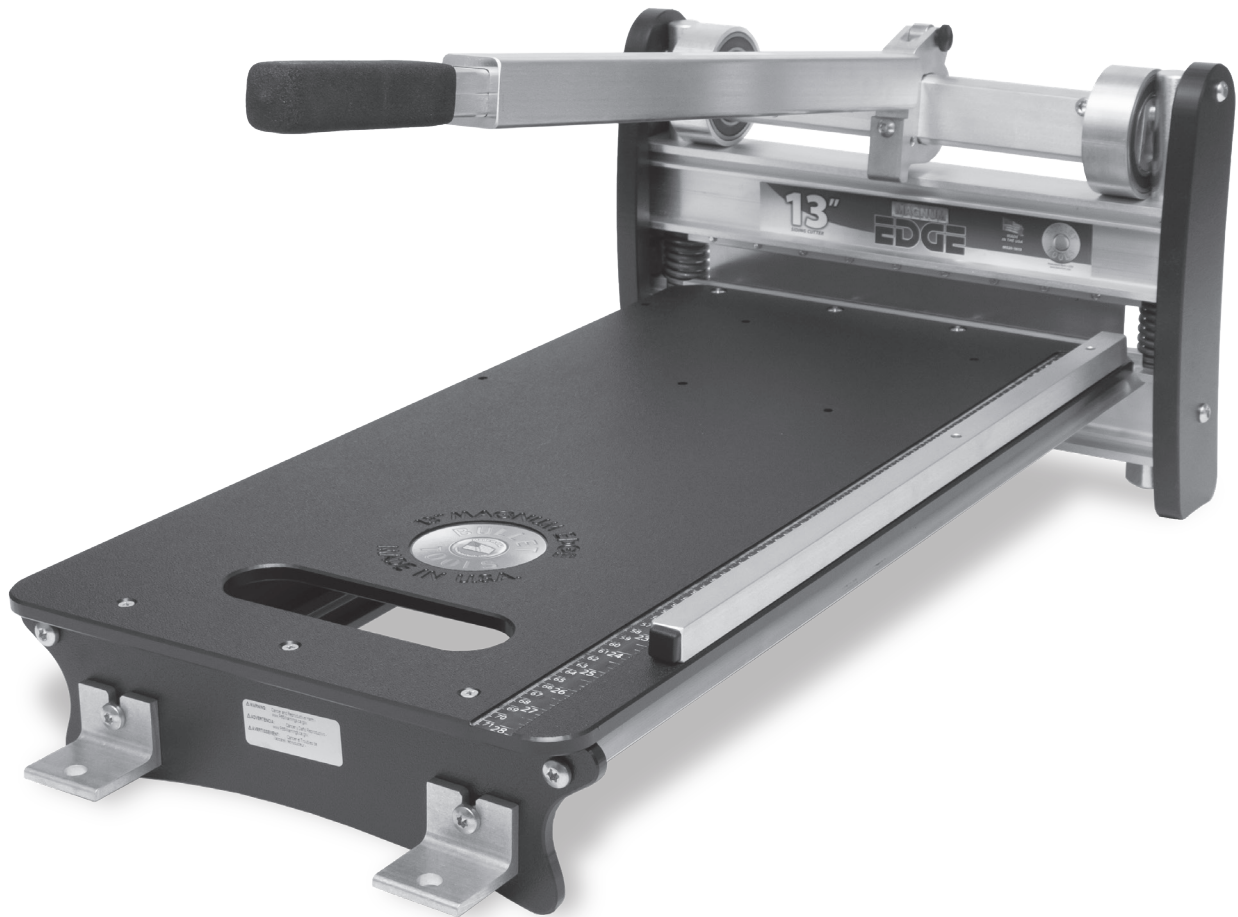
104 S. 8th Ave., Marshalltown, IA
Phone 800-888-0127 / 641-753-0127
Fax 800-477-6341 / 641-753-6341
www.MARSHALLTOWN.com
WS2643revA

BULLET

BY MARSHALLTOWN®

CORTADORA DE REVESTIMIENTO MAGNUM EDGE

N.º de pieza MS20-1613 | N.º EDI 29986



104 S. 8th Ave. | Marshalltown, IA
Teléfono 800-888-0127 / 641-753-0127 | Fax 800-477-6341 / 641-753-6341
www.MARSHALLTOWN.com
WS2643revA

INTRODUCCIÓN

Gracias por su compra de la cortadora de revestimiento de 13" Magnum Edge de Bullet por MARSHALLTOWN®. Esta cortadora de revestimiento de vanguardia hecha en Estados Unidos es una cortadora de revestimiento de trabajo pesado y versátil diseñada teniendo en mente al profesional de revestimientos.

Su nueva cortadora de revestimiento Magnum Edge incluye las siguientes características:

- Capacidad de cortar sin dejar polvo, causar ruido y sin cables eléctricos
- Una hoja cortadora que supera en duración a 20 hojas de sierra
- Regla integrada y conjunto de luces LED para cortes de precisión
- Guía móvil que permite cortes de 90 y 45 grados
- Soportes de montaje universal para un montaje de la cortadora en escuadra, caballete o escuadra
- Reduce el polvo de sílice en el aire por debajo de los umbrales mínimos de OSHA para uso de EPP

Puede cortar materiales de hasta 1" (25 mm) de espesor y 13" (330 mm) de ancho, incluidos:

- Revestimiento de fibrocemento/vinílico/madera
- Revestimiento de tablero de fibras orientadas (OSB)
- Caucho
- Plástico suave
- WPC
- Revestimiento de laminado
- Molduras de PVC/OSB de hasta 4/4 o 1" de espesor
- Tablones sobrepuestos para revestimiento
- Tejas de alquitrán o madera

Este manual del propietario proporciona la información necesaria para la operación y el mantenimiento de esta cortadora de revestimiento Magnum Edge. Lea detenidamente y siga todas las instrucciones de operación y seguridad que se encuentran en este manual. Asegúrese de que todos los operadores de esta cortadora de revestimiento lean este manual antes de utilizar la unidad. El reemplazo de cualquier pieza de esta cortadora de revestimiento con un componente que no sea una pieza de repuesto autorizada por el fabricante puede afectar negativamente el desempeño, durabilidad o seguridad del producto.

Asegúrese de seguir las precauciones de seguridad. Lea y siga todas las instrucciones de operación y seguridad que se encuentran en este manual del operador. El fabricante se reserva el derecho de hacer cambios o añadir mejoras a su producto en cualquier momento y sin previo aviso u obligación. El fabricante se reserva el derecho a decidir, a su entera discreción y en cualquier momento, discontinuar este producto o las piezas de repuesto del mismo.

Es manual explica el uso de la cortadora de revestimiento Magnum Edge. Para preguntas técnicas o piezas de repuesto, llame a servicio al cliente de MARSHALLTOWN® al 1-800-888-0127 o visite www.MARSHALLTOWN.com.

CONTENIDO

Introducción.....	2
Precauciones de seguridad	3
Calcomanías de seguridad.....	4
Garantía	4
Montaje.....	5
Operación del producto.....	5
Ajustes	5-7
Mantenimiento	7-8
Resolución de problemas.....	9
Descripción de las piezas	10-11
Piezas de repuesto	11



PRECAUCIONES DE SEGURIDAD




• Los letreros de seguridad PELIGRO o  ADVERTENCIA se encuentran ubicados cerca de riesgos específicos.



• Las medidas de seguridad generales se enumeran en los letreros de seguridad de PRECAUCIÓN.

Esta nota aparece antes de las advertencias en el texto. Esto significa que el paso que sigue debe llevarse a cabo para evitar la posibilidad de una lesión personal o la muerte. Estas advertencias pretenden ayudar al técnico a evitar cualquier riesgo potencial que se encuentre en los procedimientos de servicio normales. Recomendamos enfáticamente que el lector aproveche la información proporcionada para prevenir lesiones personales o lesiones a otros.

LAS SIGUIENTES PRECAUCIONES SE SUGIEREN PARA AYUDAR A PREVENIR ACCIDENTES. UN OPERADOR CUIDADOSO ES EL MEJOR OPERADOR. LA MAYORÍA DE LOS ACCIDENTES PUEDEN EVITARSE SIGUIENDO CIERTAS PRECAUCIONES. LEA Y TOMÉ LAS SIGUIENTES PRECAUCIONES ANTES DE OPERAR ESTE EQUIPO A FIN DE AYUDAR A PREVENIR ACCIDENTES. EL EQUIPO DEBE SER OPERADO SOLO POR LAS PERSONAS QUE SON RESPONSABLES E INSTRUIDAS PARA HACERLO.

 **ADVERTENCIA DE LA PROPUESTA 65 DE CALIFORNIA:** Este producto puede exponerlo a químicos que en el estado de California se conocen como causantes de cáncer, defectos de nacimiento u otros daños reproductivos.

- Lea todas las instrucciones de operación y mantenimiento antes de operar o dar servicio a la cortadora de revestimiento.
- Una cortadora de revestimiento es segura siempre que el operador la utilice con seguridad. Preste completa atención a la operación de la cortadora de revestimiento.
- Sepa cómo detener la cortadora de revestimiento al instante.



NUNCA opere la cortadora de revestimiento si cualquiera de los componentes de corte se ha extraído.

- Siempre mantenga a las personas sin experiencia y no autorizadas lejos de la cortadora de revestimiento.
- Mantenga la cortadora de revestimiento en buenas condiciones operativas. Las piezas sueltas o dañadas son peligrosas.
- Evite usar ropa holgada que pudiera quedar atrapada en las piezas móviles.



Mantenga las manos y los pies lejos de las piezas móviles.

- Mantenga todas las etiquetas de advertencia, precaución e instrucciones de seguridad en buenas condiciones. Reemplace las etiquetas faltantes, dañadas o ilegibles.
- Despeje el área de trabajo alrededor de la cortadora a fin de evitar tropiezos o caídas sobre la cortadora.
- Opere sobre un suelo nivelado para evitar que la cortadora de revestimiento se voltee.
- NO OPERE esta cortadora de revestimiento bajo la influencia de alcohol o mientras toma medicamentos que deterioran sus reacciones.
- Use únicamente piezas autorizadas de fábrica para repuestos.
- Use lentes de seguridad cuando opere la cortadora de revestimiento.
- Siempre tenga cuidado al reemplazar la hoja cortadora.
- Solo opere la cortadora con los materiales aprobados. Si se requiere una fuerza extrema para cortar un material, puede resultar en lesiones personales y/o daño a la cortadora de revestimiento.
- Use ropa de protección apropiada mientras opera la cortadora de revestimiento, incluyendo protección de ojos, oídos y ropa.
- Maneje todos los solventes y agentes de limpieza con cuidado y siga las instrucciones del fabricante sobre la seguridad y la disposición.

CALCOMANÍAS DE SEGURIDAD

Si las calcomanías de seguridad están dañadas, puede reemplazarlas comunicándose con servicio al cliente.



R6166



R7566

GARANTÍA

Este producto está garantizado solo al comprador original frente a defectos en material y mano de obra bajo un uso normal por 5 años a partir de la fecha de compra. MARSHALLTOWN® reparará o reemplazará, sin cargo alguno por piezas y mano de obra, dichas piezas que se determinen como defectuosas. Todos los cargos de transportación de las piezas de repuesto deberán ser pagados por el comprador.

Para obtener el servicio de garantía, el producto debe ser enviado, con prueba de la fecha de compra, a MARSHALLTOWN®. Comuníquese con el servicio al cliente de MARSHALLTOWN® para determinar el mejor método para enviar el producto que está bajo la garantía. El envío del producto debe realizarse a más tardar 30 días después del vencimiento del periodo de garantía.

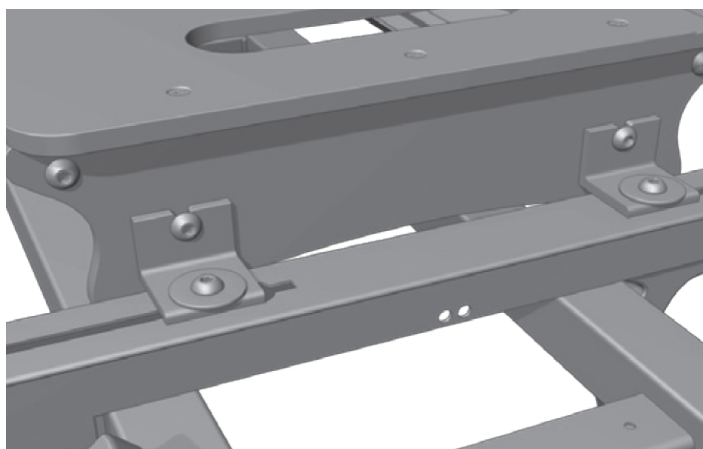
Todas las garantías implícitas, incluyendo aquellas de comerciabilidad e idoneidad para una finalidad en especial, están limitadas a un año a partir de la fecha de compra por parte el cliente minorista original y en la medida que lo permita la ley, además se excluyen y se renuncia a todas las garantías implícitas después del vencimiento de dicho periodo.

Algunos estados no permiten limitaciones sobre la duración del periodo de una garantía implícita, o la exclusión o limitaciones de daños indirectos o consecuentes, por lo que las limitaciones o exclusiones mencionadas pueden no aplicar a su caso. Esta garantía le otorga derechos legales específicos y es posible que usted tenga otros derechos que varían de estado a estado.

Exclusión de esta garantía:

1. Todos los daños consecuentes, incluyendo la recolección y entrega de la unidad, comunicación, cargos por kilometraje y/o renta de una unidad de reemplazo durante reparaciones no están cubiertos por esta garantía ni tampoco cualquier pérdida de ingresos y/u otras pérdidas que resulten por la falla de funcionamiento del producto debido a un defecto cubierto por la garantía.
2. Esta garantía no aplicará cuando el producto se vuelva inoperativo debido al mal uso, desgaste normal, negligencia, mantenimiento inadecuado, accidente o daño en el transporte; no ha sido operado y mantenido de conformidad con las instrucciones proporcionadas en el manual del operador o ha sido alterado o modificado sin la aprobación del Departamento de Servicio de la fábrica.
3. Ninguna pieza o producto debe regresarse a la fábrica sin la aprobación previa por escrito de la fábrica.

MONTAJE



INSTALE LOS SOPORTES DE MONTAJE Y FÍJELOS A LA ESTACIÓN O ESCUADRA DE CORTE

Use una broca T30 (incluida) y una llave o destornillador, desatornille los cuatro pernos de sujeción del riel inferior de $\frac{1}{4}$ " (6 mm). Deslice los soportes de montaje por encima de los pernos de sujeción del riel y apriételos firmemente. Fije a la escuadra de corte y sierra o estación de corte usando la tornillería correcta como pernos de $\frac{5}{16}$ " de diámetro o tornillos autorroscantes y las arandelas correspondientes (no incluidas). Cuando utilice una estación de corte tipo banco, es práctico colocar una madera dimensionada como 'espaciadores' antes de fijar la cortadora.

OPERACIÓN DEL PRODUCTO

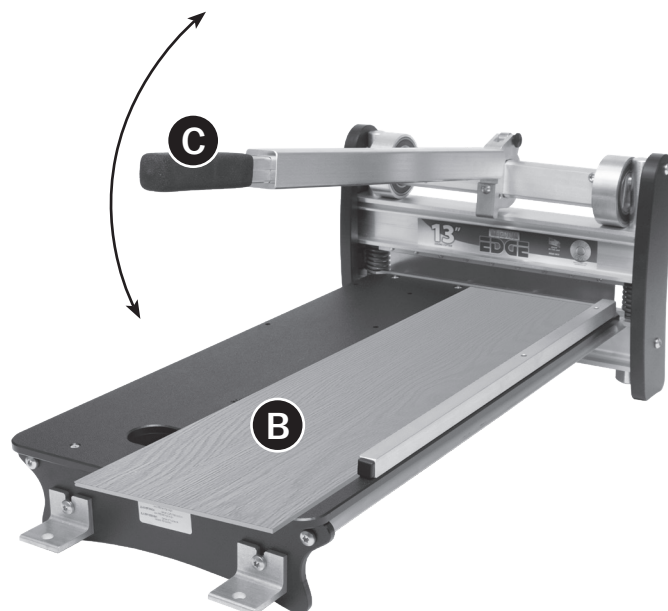
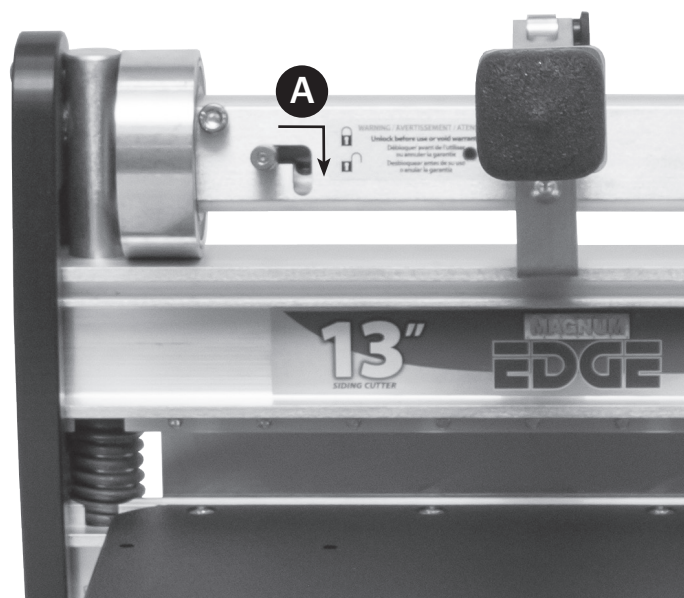


CUIDADO
LA HOJA ESTÁ EXTREMADAMENTE AFILADA
EXTREME SUS PRECAUCIONES



HACER LOS CORTES

La cortadora de revestimiento Magnum Edge se opera manualmente. El operador agarra el mango extensible de dos partes y lo empuja hacia abajo para efectuar el corte. UNA HOJA PARA REVESTIMIENTO ESTÁ PREVIAMENTE INSTALADA EN ESTA CORTADORA, NO LA USE PARA CORTAR MADERA DURA.



1. Para desbloquearla, presione suavemente el mango hacia abajo, deslice el

inmovilizador de leva (A) hacia adentro y abajo.

CONSEJO: CORTE DOBLE

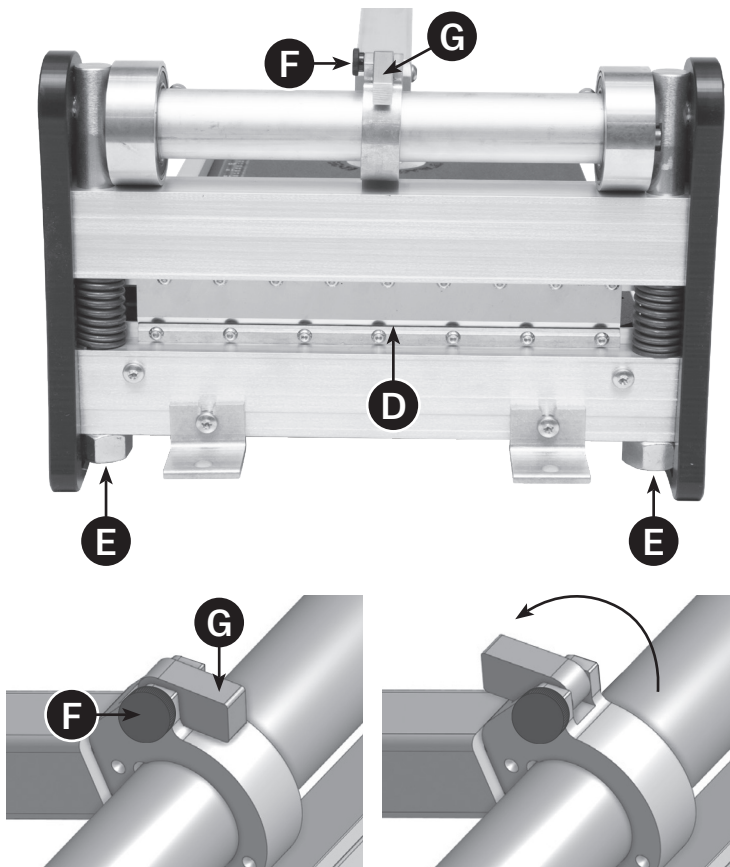
Se puede atravesar muy bien la mayoría de los materiales con un solo corte. Sin embargo, algunas marcas pueden requerir un corte doble para producir un corte mejor.

Simplemente haga su primer corte de $\frac{1}{8}$ " a $\frac{1}{4}$ " (de 3 a 6 mm) más largo que la marca, después regrese y haga un segundo corte sobre la marca. Esto es muy útil para crear un corte más limpio cuando no se puede usar una moldura o transición para cubrir el extremo del corte.

AJUSTES



AVISO
¡NO CORTE MADERA DURA CON ESTA CORTADORA!



AJUSTES DE LA PROFUNDIDAD

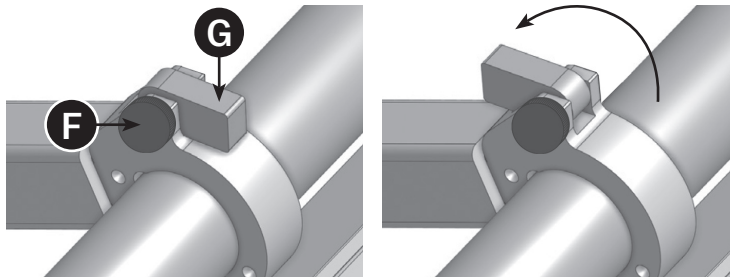
La hoja debe colocarse de modo que corte hasta el tope de plástico de la hoja (D) cuando el mango se presiona hacia abajo.

Para ajustar la profundidad de la hoja, gire las dos tuercas grandes (E) en el lado inferior de la base con una llave de 1½" (38 mm).

Asegúrese de que las dos se giren la misma cantidad de vueltas.

Ajústelas en incrementos de un cuarto de vuelta y verifique la profundidad de la hoja.

Para abrir la hoja a fin de cortar material de 1", afloje la perilla de antirretroceso (F) y gire el antirretroceso (G) hacia arriba.



ANTIRRETROCESO ABAJO

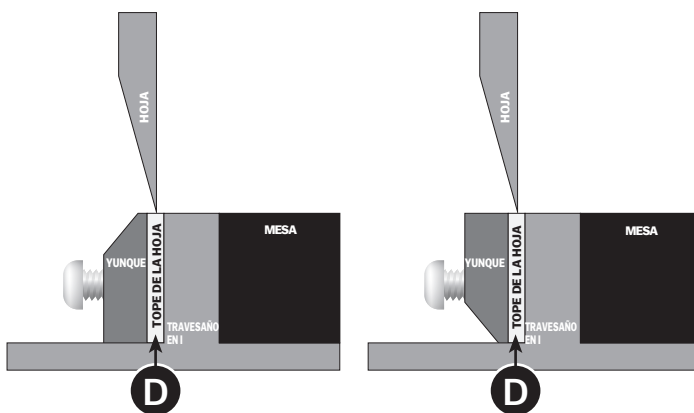
ANTIRRETROCESO ARRIBA

EL YUNQUE

El yunque tiene dos bordes: un borde angosto de 1/32" (0.75 mm) y un borde ancho de 3/16" (4.5 mm) de ancho. Cualquiera de los bordes puede usarse según el soporte que necesita para hacer un corte limpio. Algunos productos con reversos suaves requieren que se use el borde más ancho del yunque.

PARA CAMBIAR ENTRE BORDES DEL YUNQUE

Simplemente quite los tornillos del yunque y voltee el yunque bocabajo. Asegúrese de que el tope de la hoja esté instalado.



AVISO



Los materiales aprobados pueden variar en densidad y dureza. Si se requiere una presión extrema para cortar un producto, puede provocar daños a la máquina. Comuníquese con MARSHALLTOWN Tools antes de continuar.



La garantía se anula si un producto no aprobado daña la máquina.

AJUSTES



INMOVILIZADOR DE LEVA EN POSICIÓN BLOQUEADA



INMOVILIZADOR DE LEVA EN POSICIÓN DESBLOQUEADA

PASADOR DE SEGURIDAD

Para mayor seguridad, el pasador de seguridad se restablecerá automáticamente a la posición "bloqueada" a menos que se desacople. El pasador de seguridad puede desacoplarse deslizando la perilla hacia abajo y enganchándolo en la ranura.

TRANSPORTE

Es importante volver a enganchar el pasador y sujetar el mango sin extender en la posición hacia abajo cuando la cortadora de madera dura Magnum Edge se almacene, cargue o transporte.

MANTENIMIENTO

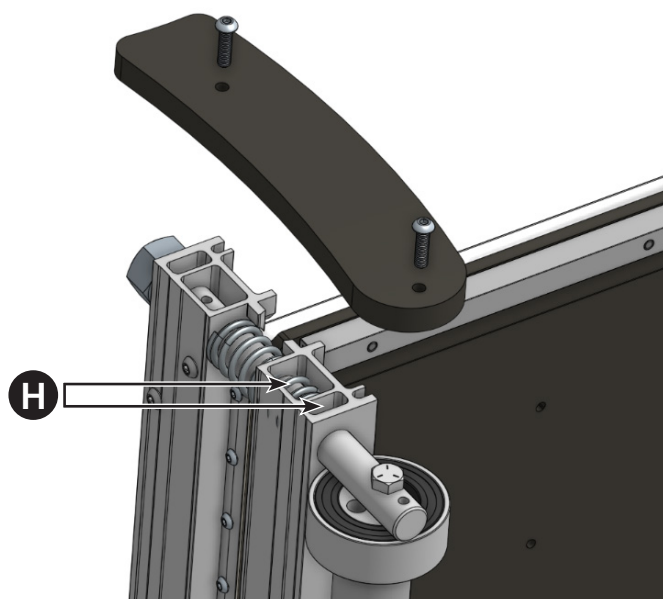
LUBRICACIÓN

La cortadora Magnum Edge se ha lubricado previamente con grasa debajo de los tapones. Vuelva a engrasarlos cada 2 años de uso o si la cortadora empieza a rechinar.

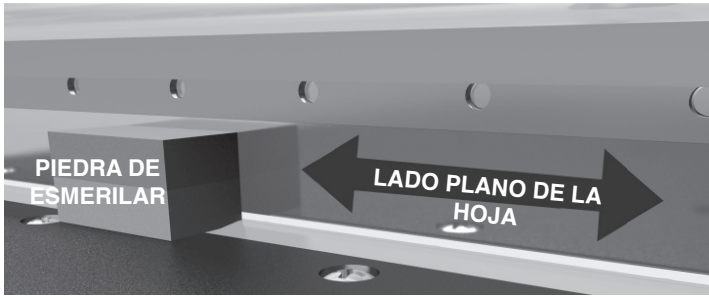
1. Bloquee el mango hacia abajo
2. Coloque la cortadora Magnum EDGE sobre un costado
3. Retire el tapón desatornillando los dos tornillos de cabeza redonda con una llave "Allen" hexagonal de 5 mm
4. Rellene la cavidad de grasa (H) con grasa
5. Vuelva a colocar el tapón
6. Repita el procedimiento en el otro lado

EL TOPE DE LA HOJA

El tope de la hoja puede desgastarse. Retire el yunque, voltee el tope de la hoja para usar el otro lado. Puede comprar reemplazos de esta pieza con su distribuidor.



MANTENIMIENTO



CÓMO AFILAR LA HOJA

Empuje el mango hacia abajo hasta que la hoja esté $\frac{1}{8}$ " (3 mm) por encima de la parte superior de la mesa. Coloque la piedra de esmerilar contra el lado plano de la hoja. Deslice la piedra de esmerilar desde un extremo de la hoja al otro 3 a 4 veces. Esto retirará cualquier rebaba de la hoja.

Cuando reciba su cortadora por primera vez, debería afilarla después de su quinto corte, después afile la hoja cada décimo corte durante los primeros 100 cortes hasta que la hoja se haya asentado. A partir de ahí, solo tendrá que afilarla una vez por trabajo. Tenga cuidado al afilar la hoja. La hoja está afilada y puede causar lesiones fácilmente. Se recomienda usar guantes resistentes a cortes cuando afile la hoja.



Para obtener más información sobre cómo afilar la hoja, siga el siguiente enlace de código QR o URL:

<https://marshalltown.com/honing-your-blade>



AFILADO DE LA HOJA

La hoja puede afilarse para restaurar un filo unilateral de 21° o 22°. Es importante tener en cuenta que la hoja debe estar afilada solo por el lado biselado, conservando la parte plana de esa manera.

Se recomienda que el afilado a presión solo se haga profesionalmente, ya que la hoja debe ser enfriada con fluido durante este proceso.

REEMPLAZO DE LA HOJA

1. DÉ VUELTA A LA CORTADORA DE FORMA QUE QUEDE BOCABAJO

Consejo: coloque la cortadora al borde de una mesa firme.

2. AFLOJE LA HOJA (I)

Con una llave "Allen" hexagonal de $\frac{5}{32}$ " (4 mm), quite los tornillos de sombrerete de cabeza hueca (J).

3. EXTRAIGA LA HOJA

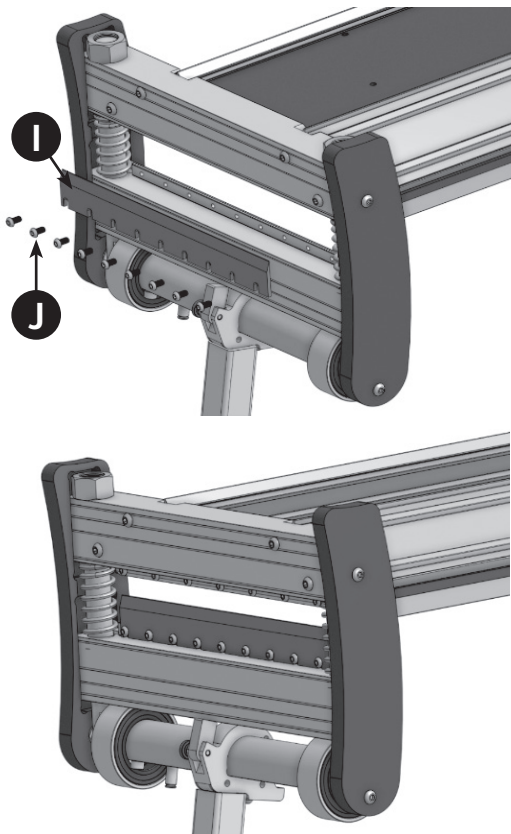
Sostenga la hoja por cada extremo y levántela con cuidado hasta sacarla de la cavidad

4. INSTALE LA HOJA

Sostenga la hoja por cada extremo y colóquela con cuidado dentro de la cavidad para la hoja en la parte delantera, manteniendo el lado plano de la hoja orientado hacia la mesa. Asegúrese de que esté firmemente asentada y la cavidad esté libre de residuos.

5. APRIETE LA HOJA

Con una llave "Allen" hexagonal de $\frac{5}{32}$ " (4 mm), vuelva a colocar y apriete los tornillos comenzando con el tornillo del centro.



ADVERTENCIA
¡EXTREME SUS PRECAUCIONES! La hoja está extremadamente afilada.



RESOLUCIÓN DE PROBLEMAS

Repase el manual antes de continuar con la resolución de problemas:

- ¿Su cortadora ha sido ensamblada apropiadamente?
- ¿Está siendo operada correctamente?
- ¿Se encuentra lubricada apropiadamente?
- ¿La hoja ha sido afilada según las recomendaciones?

Inspeccione visualmente la cortadora en busca de objetos que pudieran obstruir el movimiento de la hoja o la unidad de potencia:

- Presencia de materiales foráneos entre la hoja y el yunque, en los pasadores de resorte o debajo de la leva.
- Revise que la hoja no tenga astillas, fisuras o rebabas.
- Asegúrese de que los cojinetes estén intactos y lubricados. No deben girar/moverse en la leva durante el uso.

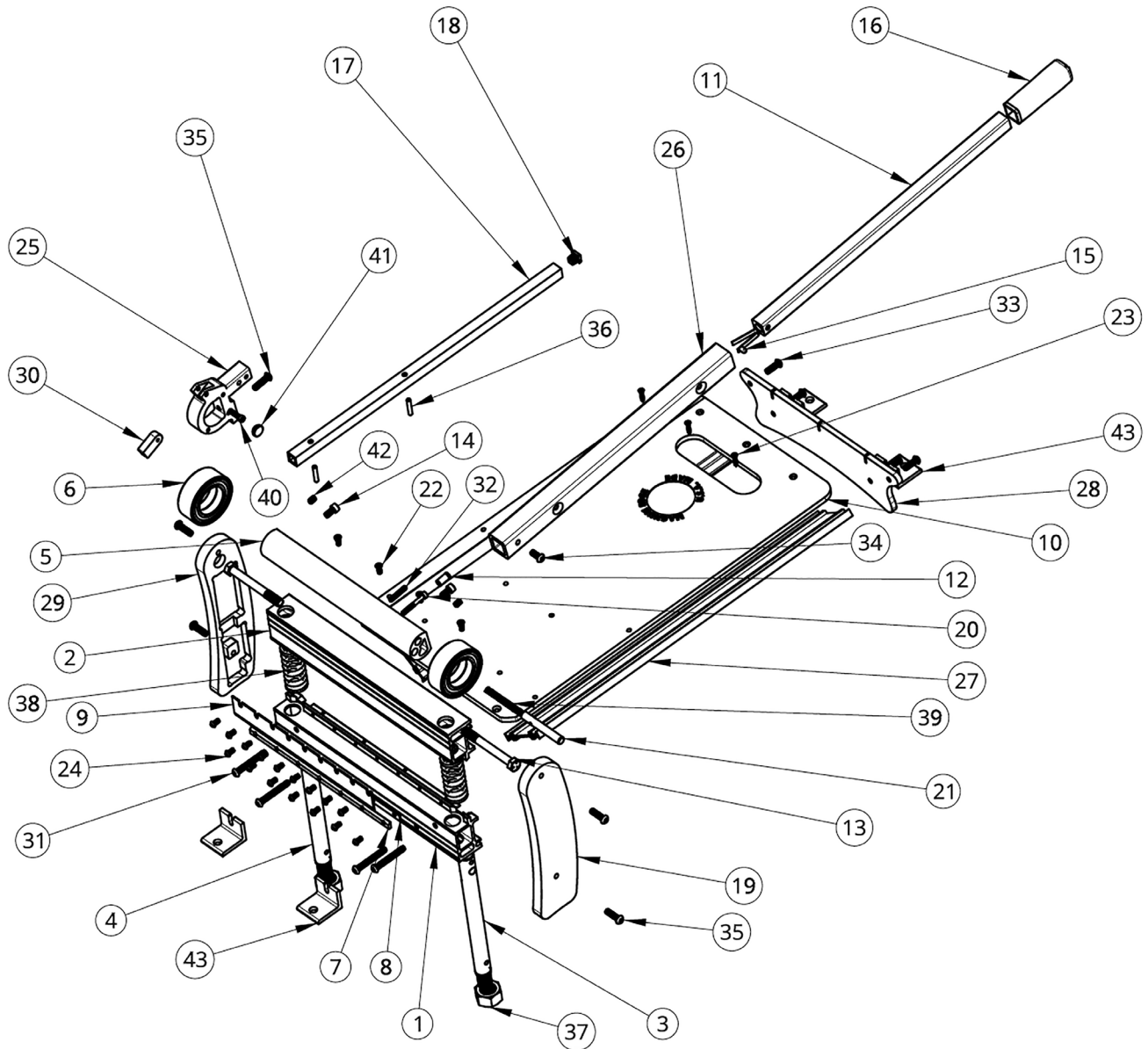
NOTA: Esta es la resolución de problemas para todas las cortadoras Bullet. Si no está seguro de que corresponda con su cortadora, comuníquese con el servicio al cliente de MARSHALLTOWN®.

PROBLEMA	REVISE EN PRIMER LUGAR	REVISE EN SEGUNDO LUGAR	REVISE EN TERCER LUGAR	REVISE EN CUARTO LUGAR
Dificultad al cortar	Asegúrese de que el inmovilizador de leva esté DESACTIVADO. Si está equipado, active los lóbulos de potencia (Modelo 226)	Asegúrese de que el mango se encuentre TOTALMENTE extendido	Verifique el filo/la condición de la hoja	Inspeccione y lubrique los cojinetes/pasadores
No corta por completo a través del material	Inspeccione los pasadores en busca de orificios oblongos/desplazados	Ajuste el tope del recorrido frontal (cortadoras MAGNUM)	Verifique que los cojinetes no estén desgastados o sueltos	Asegúrese de que la hoja esté a la altura nominal apropiada
La hoja se atora luego de terminar los cortes	Verifique los topes de hoja, retire y reemplace en caso de estar dañados	Asegúrese de que los tornillos de la hoja estén apretados	Retire el yunque, dele vuelta y reinstale	Verifique si hay marcas en el yunque (desgaste por solapamiento)
Cortes irregulares o destrozados	Verifique el grosor de la chapa de madera (máx = 1/16")	Verifique la condición de la hoja (astillas, rebabas, fracturas)	Asegúrese de que la hoja esté afilada	Revise la lista de los materiales aprobados
Los cortes no son exactos	Afloje los tornillos de la guía, alinee la guía y apriete	Verifique los pasadores en busca de desgaste irregular	Inspeccione la hoja y el yunque o el tope de la hoja en busca de contacto	
El mango no vuelve a la posición abierta	Asegúrese de que los pasadores estén lubricados	Aplique grasa en el área de contacto del cojinete	Lubrique los pernos del eje	Verifique que los resortes no estén rotos
El material no cabe en el área de corte	Verifique el grosor máximo del material para su cortadora	Revierta el tope del recorrido posterior	Asegúrese de que la hoja esté a la altura nominal apropiada	Si tiene dos cojinetes, cambie el cojinete que esté embragado
El pasador de inmovilización de leva está doblado o atascado	No levante o cargue la cortadora por el mango	Devuelva lentamente el mango a la posición abierta - no deje que "caiga libremente"	Desenganche el pasador de inmovilización de leva ANTES de cortar	
Melladuras de la hoja	Afile según se indica en el manual (aproximadamente 25 cortes, después a diario)	No corte bambú trenzado	No corte laminado de alta presión	Verifique el grosor de la chapa de madera (máx = 1/16")
Las aberturas del pasador se desplazan hacia afuera / oblongas por donde atraviesa el eje de la leva	No levante o cargue la cortadora por el mango	Devuelva lentamente el mango a la posición abierta - no deje que "caiga libremente"	Verifique el grosor de la chapa de madera (máx = 1/16")	Revise la lista de los materiales aprobados
No corta al borde del material	Verifique la alineación de la guía - ajuste si es necesario	No "doble" el material más allá del borde de la hoja	Asegúrese de que las guías angulares estén instaladas con el borde ANCHO hacia dentro (modelo 620)	

LISTA DE LA DESCRIPCIÓN DE LAS PIEZAS

N.º DE REF	EDI	NÚM. DE PIEZA	DESCRIPCIÓN	CANT.
1	R7089	CON-BSE-1913	BASE DE LA CORTADORA MAGNUM 1913	1
2	R7216	CON-HED-1913	CABEZAL DE LA CORTADORA MAGNUM 1913	1
3	WU948	COT-PIN-190L	PASADOR DE MAGNUM SERIE 1900 (IZQUIERDA) ENCHAPADO EN ZINC	1
4	WU966	COT-PIN-190R	PASADOR DE MAGNUM SERIE 1900 (DERECHA) ENCHAPADO EN ZINC	1
5	R7127	CON-CAM-1913	LEVA DE LA CORTADORA MAGNUM 1913	1
6	R7529	SUB-BNG-PCAM	CONJUNTO DE COJINETES, POWERCAM PARA CORTADORAS MAGNUM	2
7	R7023	CON-ANV-EX13	YUNQUE ES00-EX13	1
8	R7120	CON-BST-EX13	TOPE DE HOJA ES00-EX13	1
9	WX2591	RAW-BDE-213B	HOJA CORTADORA DE REVESTIMIENTO DE 13"	1
10	R7333	CON-TBL-1913	MESA DE LA CORTADORA MAGNUM 1913	1
11	R7207	CON-HAN-U900	MANGO SUPERIOR DE LA SERIE MAGNUM	1
12	WX2532	GEN-BUL-LET4	ESTUCHE USADO S&W 0.40	1
13	WR1508	FAS-BLT-9037	PERNO DE EJE ENCHAPADO GRADO 5 DE CABEZA HEXAGONAL DE ½ X 4½	2
14	WR1611	FAS-SCW-9040	TORNILLO DE CABEZA HUECA M8 X 16	2
15	WR1630	GEN-SPR-0847	BOTÓN CON RESORTE, HORQUILLA, ⅝	1
16	WK232	GEN-HAN-0868	AGARRADERA PARA MANGO, (1 x 1 x 5 x ⅝")	1
17	R7184	CON-FNC-9000	GUÍA UNIVERSAL	1
18	WL795	GEN-CAP-850E	TAPÓN, ⅝" SQ, LDPE BLK	1
19	R7173	CON-END-190L	TAPÓN IZQUIERDO MAGNUM SERIE 1900	1
20	WR1506	FAS-BLT-9010	TORNILLO DE CABEZA HUECA M6 X 45 MM	1
21	R7154	CON-CML-D900	PASADOR DEL INMOVILIZADOR DE LEVA DE ½" DE DIÁMETRO	1
22	WR1604	FAS-SCW-8569	TORNILLOS MECÁNICOS DE CABEZA PLANA PHILLIPS DE ZINC GALVANIZADO M6-1.0 x 16	4
23	WR1556	FAS-SCW-0010	TORNILLOS PHILLIPS DE CABEZA PLANA PARA CHAPA DE METAL #10 X 1	3
24	WR1585	FAS-SCW-5612	TORNILLOS DE CABEZA REDONDA DE HEXÁGONO INTERIOR DE ENCHAPADOS DE ZINC M6-1.0 x 12	16
25	R7296	CON-STB-1900	VÁSTAGO DEL MANGO MAGNUM SERIE 1900	1
26	R7191	CON-HAN-190L	MANGO INFERIOR DE LA CORTADORA MAGNUM SERIE 1900	1
27	WC1148	CON-RAL-1900	RIEL DE LA CORTADORA MAGNUM SERIE 1900	2
28	R7310	CON-TAL-1913	COLA DE LA MAGNUM 1913	1
29	R7174	CON-END-190R	TAPÓN DERECHO DE LA MAGNUM SERIE 1900	1
30	R7107	CON-BSS-19BS	TOPE DEL RECORRIDO POSTERIOR DE LA MAGNUM SERIE 1900	1
31	WR1597	FAS-SCW-7525	TORNILLO DE CORTE DE ROSCA PH TORX DE ⅝-18 X 2½	4
32	WR1610	FAS-SCW-9035	TORNILLO DE FIJACIÓN, M6 x 35 mm, PUNTA PLANA	1
33	WR1596	FAS-SCW-7510	TORNILLO DE CORTE DE ROSCA PH TORX DE ⅝-18 X 1	4
34	WR1587	FAS-SCW-5821	TORNILLOS DE CABEZA REDONDA DE HEXÁGONO INTERIOR DE ZINC GALVANIZADO M8-1.25 X 20	1
35	WR1588	FAS-SCW-5830	TORNILLOS DE CABEZA REDONDA DE HEXÁGONO INTERIOR DE ZINC GALVANIZADO M8-1.25 X 30	5
36	WR1541	FAS-PIN-0881	PASADOR DE ESPIGA, ¼" x 1¼"	2
37	WR1524	FAS-NUT-1014	TUERCA 1-14	2
38	WR1631	GEN-SPR-0859	RESORTE, 1.046 DIÁ INT x 3.5 LARGO	2
39	WR1640	GEN-SPR-D000	RESORTE, ⅝ x 3½", INMOVILIZADOR DE LEVA	1
40	WR1737	FAS-SCW-EZ04	TORNILLO DE CABEZA HUECA DE ZINC GALVANIZADO M6 X 25	1
41	WL814	GEN-KNB-931B	PERILLA ESTRIADA DE PRESIÓN M6 PARA TORNILLO DE CABEZA HUECA	1
42	WR1612	FAS-SCW-9041	CONJUNTO DE TORNILLOS M8 X 12, PUNTA PLANA	2
43	R7076	CON-BRK-1600	SOPORTE DE MONTAJE EN ESCUADRA PARA CORTADORA MAGNUM EDGE	4

DESCRIPCIÓN DE LAS PIEZAS



LISTA DE LAS PIEZAS DE REPUESTO

EDI	NÚM. DE PIEZA	DESCRIPCIÓN	INCLUYE NÚMEROS DE LOS DETALLES
29810	213B	HOJA CORTADORA DE REVESTIMIENTO DE 13"	9
29860	847-RP	PASADOR DE RESORTE PARA MANGO DE REPUESTO, 5/16" DE 1 LADO	15
29766	854-RP-1113	REPUESTO DE YUNQUE, 13" X 1/2" PARA CORTADORAS MARKSMAN Y MAGNUM EDGE	7
29768	869-RP-1113	REPUESTO DE TOPE DE LA HOJA, 13" X 1/2" PARA CORTADORAS MARKSMAN Y MAGNUM EDGE DE 13"	8
29907	868-RP-MAG	AGARRADERA PARA MANGO DE REPUESTO, 1" CUADRADA X 5"	16
29871	856-RP-I	GUÍA DE REPUESTO, EDGE, 220-SID, MAGNUM SERIE I	17,18,36
29883	858-RP-U900	MANGO DE REPUESTO SOLO SUPERIOR (EDGE 13 Y MAGNUM SERIE I)	11,15,16
29905	856UPG-RP	CONJUNTO DE COJINETES DE REPUESTO, 2 C/U COJINETES DE BOLAS PC C/CAMISAS	6
29763	860-MAG-RP	REPUESTO DE PASADOR DEL INMOVILIZADOR DE LEVA DE 1/2"	21
WR1585	FAS-SCW-5612	TORNILLOS DE CABEZA REDONDA DE HEXÁGONO INTERIOR DE ZINC GALVANIZADO M6-1.0 X 12	24

BULLET

B Y M A R S H A L L T O W N®

104 S. 8th Ave., Marshalltown, IA
Teléfono 800-888-0127 / 641-753-0127
Fax 800-477-6341 / 641-753-6341
www.MARSHALLTOWN.com
WS2643revA

BULLET

BY MARSHALLTOWN®

CISAILLE À BARDAGE MAGNUM EDGE

Réf. MS20-1613 | EDI 29986



104 S. 8th Ave. | Marshalltown, IA
Téléphone 800-888-0127 / 641-753-0127 | Télécopieur 800-477-6341 / 641-753-6341
www.MARSHALLTOWN.com
WS2643revA

INTRODUCTION

Merci d'avoir acheté une cisaille à bardage Magnum Edge de 13 po de marque Bullet by MARSHALLTOWN®. Cette cisaille haut-de-gamme de fabrication américaine est un outil robuste et polyvalent conçu à l'intention des professionnels du bardage.

La cisaille à bardage Magnum Edge présente les caractéristiques suivantes :

- Permet de couper sans poussière, bruit ni câbles électriques
- Une lame de cisaille plus est durable que 20 lames de scie
- Règle intégrée et nécessaire d'éclairage à DEL pour des coupes de précision
- Le guide mobile permet des coupes à 90 et 45 degrés
- Attaches de fixation universelles pour un montage facile sur banc de découpe, tréteau ou échafaudage
- Poussières de silice en suspension dans l'air inférieures aux seuils minimum de l'OSHA pour les PPE

Elle peut couper des matériaux de 1 po (25 mm) d'épaisseur et de 13 po (330 mm) de largeur, notamment :

- Bardage en fibro-ciment, vinyle et bois
- Bardage en OSB
- Caoutchouc
- Plastique tendre
- WPC
- Bardage en stratifié
- Moulure en PVC et OSB jusqu'à 4/4 ou 1 po d'épaisseur
- Bardage en panneau de fibres
- Bardeaux en goudron et en bois

Ce manuel de l'utilisateur fournit l'information nécessaire pour faire fonctionner et entretenir cette cisaille à bardage Magnum Edge. Veiller à lire avec attention et à respecter toutes les consignes de sécurité et d'utilisation de ce manuel. S'assurer que chaque utilisateur de cette cisaille à bardage a lu ce manuel avant d'utiliser l'appareil. Le remplacement de toute pièce de cette cisaille à bardage par une pièce autre qu'une pièce de rechange agréée par le fabricant peut avoir un effet contraire sur le fonctionnement, la durabilité ou la sécurité du produit.

Veiller à bien respecter les mesures de sécurité. Lire et respecter toutes les consignes de sécurité et d'utilisation figurant dans ce manuel de l'utilisateur. Le fabricant se réserve le droit de modifier ou d'améliorer le produit à tout moment sans préavis ni obligation. Le fabricant se réserve le droit de décider, à sa seule discrétion et à tout moment, d'abandonner ce produit ou certaines de ses pièces de rechange.


Ce manuel couvre la cisaille à bardage Magnum Edge. Pour les questions techniques ou les pièces de rechange, appeler le service après-vente de MARSHALLTOWN® au 1-800-888-0127 ou visiter www.MARSHALLTOWN.com.

TABLE DES MATIÈRES

Introduction	2
Mesures de sécurité	3
Autocollants de sécurité	4
Garantie	4
Mise en place	5
Fonctionnement du produit	5
Réglages	5-7
Entretien	7-8
Dépannage	9
Nomenclature des pièces	10-11
Pièces de rechange	11




MESURES DE SÉCURITÉ

- Les panonceaux DANGER et  AVERTISSEMENT sont placés à proximité de zones dangereuses particulières.
- Les panonceaux ATTENTION comportent des mesures générales de précaution.

Ce symbole apparaît avant les mises en garde dans le texte. Il signifie que l'étape qui suit doit être effectuée pour écarter les risques de blessures corporelles ou de mort. Ces mises en garde ont pour objet d'aider le technicien à éviter les dangers potentiels rencontrés durant les procédures normales d'entretien. Nous conseillons vivement au lecteur de tenir compte de l'information fournie afin d'éviter les blessures personnelles ou à autrui.

LES MESURES DE PRÉCAUTION SUIVANTES SONT CONSEILLÉES POUR ÉVITER LES ACCIDENTS. LE MEILLEUR UTILISATEUR EST UN UTILISATEUR PRUDENT. LA MAJORITÉ DES ACCIDENTS PEUVENT ÊTRE ÉVITÉS EN OBSERVANT CERTAINES PRÉCAUTIONS. POUR ÉVITER LES ACCIDENTS, LIRE ET RESPECTER LES MESURES DE PRÉCAUTION SUIVANTES AVANT D'UTILISER CE MATÉRIEL. LE MATÉRIEL DOIT ÊTRE UTILISÉ UNIQUEMENT PAR DES PERSONNES RESPONSABLES ET FORMÉES À SON UTILISATION.

 PROPOSITION 65 DE CALIFORNIE - AVERTISSEMENT : Ce produit peut exposer son utilisateur à des substances que l'État de Californie a déclarées responsables de cancer, malformations congénitales et autres effets nocifs sur la reproduction.

- Lire toutes les instructions d'utilisation et d'entretien avant d'utiliser ou d'entretenir la cisaille à bardage.
- Une cisaille à bardage est aussi sûre que son utilisateur seulement. Veiller à accorder toute son attention à l'utilisation de la cisaille à bardage.
- Savoir comment arrêter la cisaille à bardage instantanément.



NE JAMAIS utiliser la cisaille à bardage si certaines de ses pièces ont été retirées.

- Toujours tenir les personnes inexpérimentées et non autorisées à l'écart de la cisaille à bardage.
- Maintenir la cisaille à bardage en bon état de fonctionnement. Les pièces desserrées ou endommagées sont dangereuses.
- Éviter les vêtements amples susceptibles d'être pris dans les pièces en mouvement.



Tenir les mains et les pieds à l'écart des pièces en mouvement.

- Maintenir toutes les étiquettes d'avertissement, de mise en garde et d'instructions de sécurité en bon état. Remplacer les étiquettes manquantes, endommagées ou illisibles.
- Dégager la zone de travail autour de la cisaille pour éviter de trébucher ou de tomber dessus.
- Travailler sur une surface plane pour éviter que la cisaille à bardage se renverse.
- NE PAS UTILISER cette cisaille à bardage alors qu'on est sous l'emprise de l'alcool ou qu'on prend des médicaments qui altèrent les réflexes.
- Utiliser uniquement des pièces de rechange autorisées par l'usine.
- Porter des lunettes de sécurité durant l'utilisation de la cisaille à bardage.
- Toujours faire preuve de précaution lors du changement de la lame de cisaille.
- Utiliser la cisaille uniquement avec des matériaux approuvés. Si une force excessive est nécessaire pour couper un matériau, cela peut provoquer des blessures corporelles ou des dommages à la cisaille à bardage.
- Porter une tenue de protection adaptée durant l'utilisation de la cisaille à bardage, notamment des yeux, des oreilles et des vêtements.
- Manipuler tous les solvants et produits nettoyants avec précaution et suivre les instructions du fabricant concernant la sécurité et l'élimination.

AUTOCOLLANTS DE SÉCURITÉ

Si les autocollants de sécurité sont endommagés, ils peuvent être remplacés en s'adressant au service après-vente.



R6166



R7566

GARANTIE

Ce produit est garanti à l'acheteur initial seulement contre les défauts de matériau et de fabrication dans des conditions normales d'utilisation, pendant cinq ans à compter de la date d'achat. MARSHALLTOWN® s'engage à réparer ou à remplacer, sans frais de pièces ou de main-d'œuvre, toute pièce jugée défectueuse. Tous les frais de port pour les pièces de rechange seront à la charge de l'acheteur.

Pour recourir à la garantie, le produit doit être renvoyé à MARSHALLTOWN® accompagné d'un justificatif de la date d'achat. Communiquer avec le service après-vente de MARSHALLTOWN® pour déterminer la meilleure méthode de renvoi du produit sous garantie. Le produit devra être renvoyé au plus tard 30 jours après l'expiration de la période de garantie.

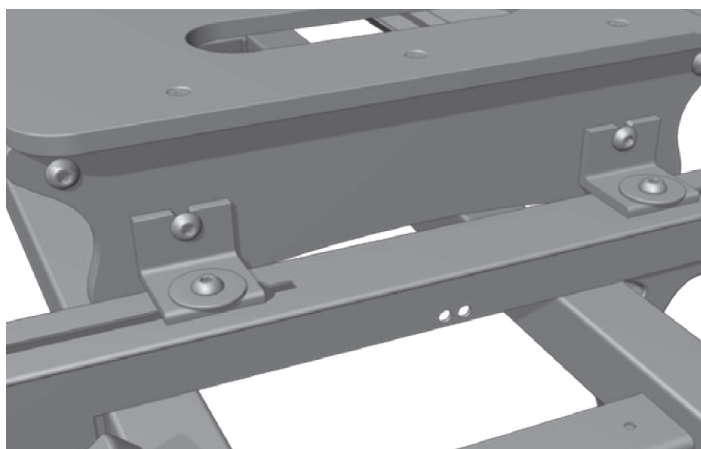
Toutes les garanties implicites, notamment de qualité marchande ou d'adaptation à un emploi particulier, sont limitées à une année à compter de la date d'achat par l'acheteur au détail initial et, dans la mesure permise par la loi, toutes les garanties sont exclues et rejetées après l'expiration de cette période.

Certains états ou provinces interdisent les limites de durée des garanties implicites ou l'exclusion ou la limitation des dommages accessoires ou indirects, par conséquent les limites ou exclusions ci-dessous peuvent ne pas s'appliquer à vous. La présente garantie vous confère des droits juridiques particuliers et vous pouvez également avoir d'autres droits, susceptible de changer d'une juridiction à l'autre.

Exclusions de la présente garantie :

1. Tous les dommages indirects, y compris l'enlèvement et la livraison de la machine, les communications, les frais de déplacement et la location de toute machine durant les réparations ne sont pas couverts aux termes de la présente garantie, ni aucun manque à gagner ou autre perte liée à un défaut de fonctionnement du produit en raison d'une défectuosité couverte par la garantie.
2. La présente garantie ne s'applique pas si le produit devient inopérant suite à une utilisation détournée, usure normale, négligence, entretien incorrect, accident ou dommages liés au transport ; s'il n'a pas été utilisé et entretenu conformément aux instructions figurant dans le manuel d'utilisation ; ou s'il a été altéré ou modifié sans l'autorisation du service après-vente du fabricant.
3. Ne pas renvoyer de pièces ou produits à l'usine sans autorisation écrite préalable du fabricant.

MISE EN PLACE



MONTER LES SUPPORTS DE FIXATION ET ATTACHER À UN BANC OU POSTE DE DÉCOUPE

À l'aide d'un embout T30 (fourni) et d'une douille ou d'un tournevis, dévisser les quatre vis de fixation sur rail de ¼ po (6 mm). Enfiler les supports de fixation sur les vis de fixation sur rail et serrer fermement. Attacher à un banc de scie à onglet ou à un poste de découpe à l'aide de la visserie appropriée, comme des vis de 5/16 po de diamètre ou des tire-fonds avec des rondelles adaptées (non fournis). Si un poste de type banc de découpe est utilisé, il peut être utile d'attacher du bois d'œuvre en tant que « cale d'espacement » avant de fixer la cisaille.

FONCTIONNEMENT DU PRODUIT

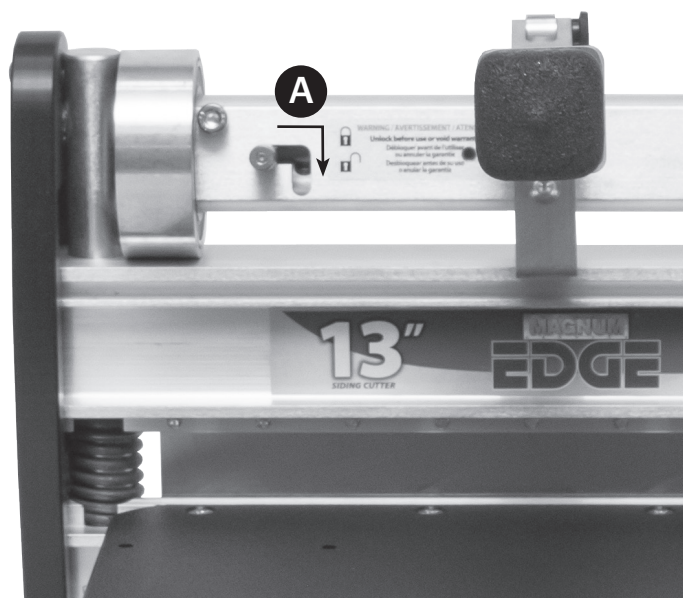


ATTENTION
LAME TRÈS COUPANTE - MANIPULER AVEC PRÉCAUTION

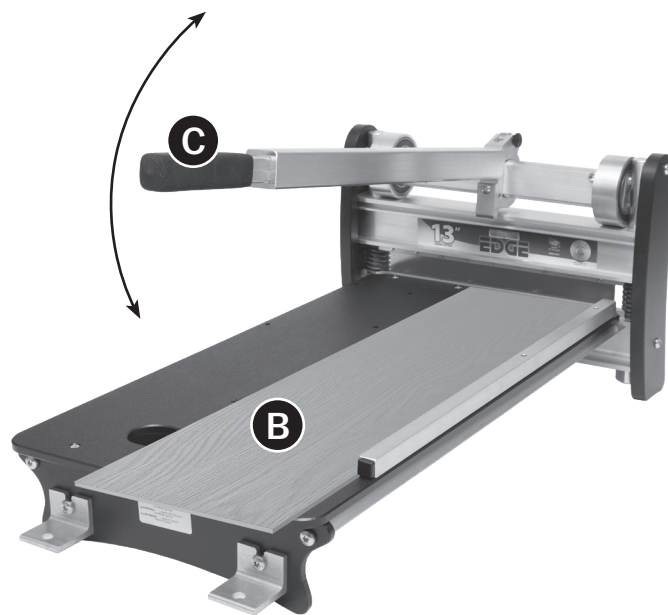


EFFECTUER DES COUPES

La cisaille à bardage Magnum Edge est un outil manuel. Pour effectuer une coupe, l'utilisateur saisit le levier télescopique et l'appuie vers le bas. **CETTE CISAILLE EST ÉQUIPÉE D'UNE LAME POUR BARDAGE. NE PAS L'UTILISER POUR COUPER DU BOIS FRANC.**



1. Pour déverrouiller, appuyer légèrement sur le levier, puis pousser le loquet (A) vers le côté et le bas.



2. Placer le matériau (B) sur le plateau et le glisser sous la lame dans la position souhaitée pour la coupe.

3. Appuyer sur le levier (C) jusqu'à ce que le matériau soit complètement coupé.

CONSEIL PRATIQUE : COUPES DOUBLES

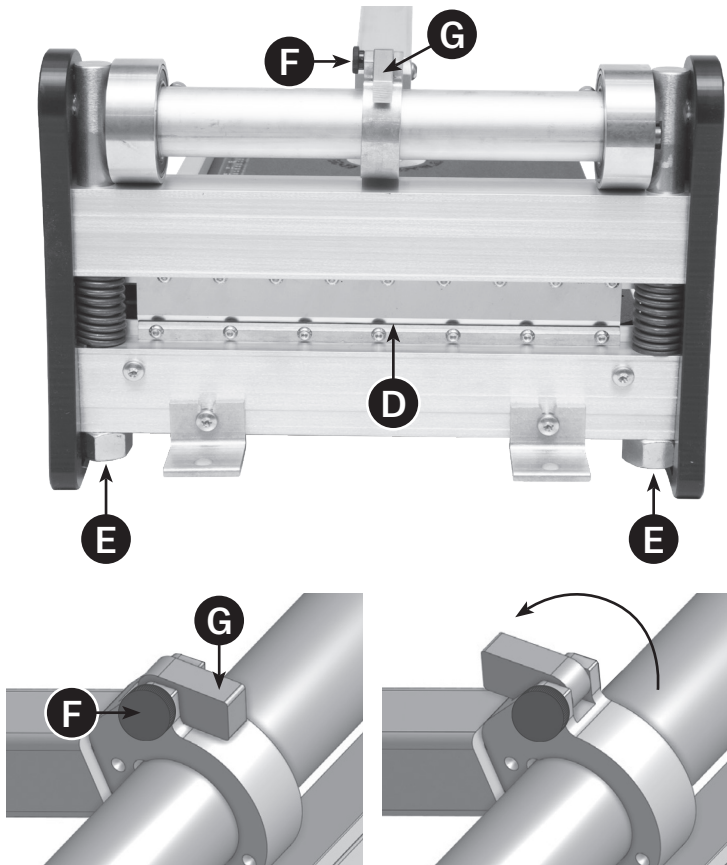
La majorité des matériaux se cisailent sans difficulté en une fois. Toutefois, certains produits peuvent nécessiter un cisaillement en deux temps pour produire une coupe plus propre.

Il suffit d'effectuer une première coupe à une distance de 1/8 po à 1/4 po (3 à 6 mm) au-delà du trait de coupe, puis de couper une deuxième fois directement sur le trait. Cela produit une coupe plus nette, ce qui est très utile s'il n'est pas possible d'utiliser une moulure ou une pièce de transition pour couvrir le bord coupé.

RÉGLAGES



NOTICE
NE PAS COUPER DE BOIS FRANC AVEC CETTE CISAILLE!



RÉGLAGES DE PROFONDEUR

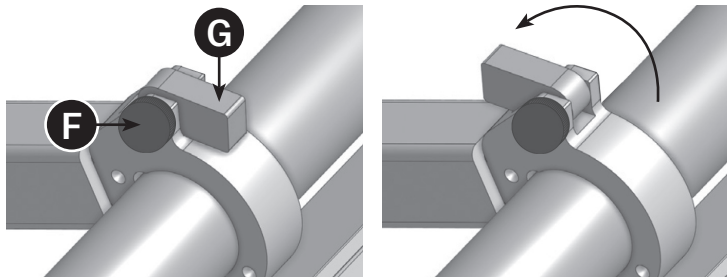
La lame doit être réglée de façon à entailler la butée de lame en plastique (D) lorsque le levier est poussé en position basse.

Pour ajuster la profondeur de la lame, tourner les deux gros écrous (E) sur la face inférieure de la base avec une clé de 1½ po (38 mm).

Veiller à les tourner tous les deux du même nombre de tours.

Régler par incréments d'un quart de tour et vérifier la profondeur de réglage de la lame.

Pour relever la lame afin de couper du matériau de 1 po (25 mm), desserrer le bouton de butée arrière (F) et basculer la butée arrière (G) vers le haut.



BUTÉE EN BAS

BUTÉE EN HAUT

LE CONTRE-OUTIL

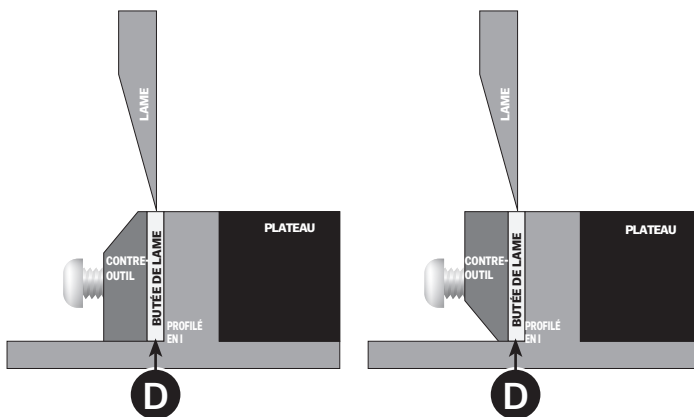
Le contre-outil comporte deux faces : une face étroite de 1/32 po (0,75 mm) et une face large de 3/16 po (4,5 mm).

L'une ou l'autre face peut être utilisée en fonction du support nécessaire pour effectuer une coupe nette.

Certains produits à endos souple nécessitent la face large du contre-outil.

POUR CHANGER DE FACE DU CONTRE-OUTIL

Il suffit de retirer les vis du contre-outil et de retourner le contre-outil. Vérifier que la butée de lame est en place.



NOTICE



Les matériaux approuvés peuvent présenter des densités et des duretés variées. Si une pression excessive est nécessaire pour couper un produit, cela peut endommager la machine. Communiquer avec MARSHALLTOWN Tools avant de poursuivre.



L'endommagement de la machine par un produit non approuvé a pour effet d'annuler la garantie.

RÉGLAGES



VERROU EN POSITION BLOQUÉE



VERROU EN POSITION DÉBLOQUÉE

VERROU DE BLOCAGE

Pour assurer une sécurité maximale, le verrou de blocage se rengage automatiquement en position verrouillée jusqu'à ce qu'on le débloque. Le verrou de blocage peut être désengagé en poussant le bouton vers le côté et le bas pour l'accrocher.

TRANSPORT

Il est important de se rengager le verrou et de bloquer le levier rétracté en position basse pour entreposer, porter ou transporter la cisaille à revêtement de sol Magnum Edge.

ENTRETIEN

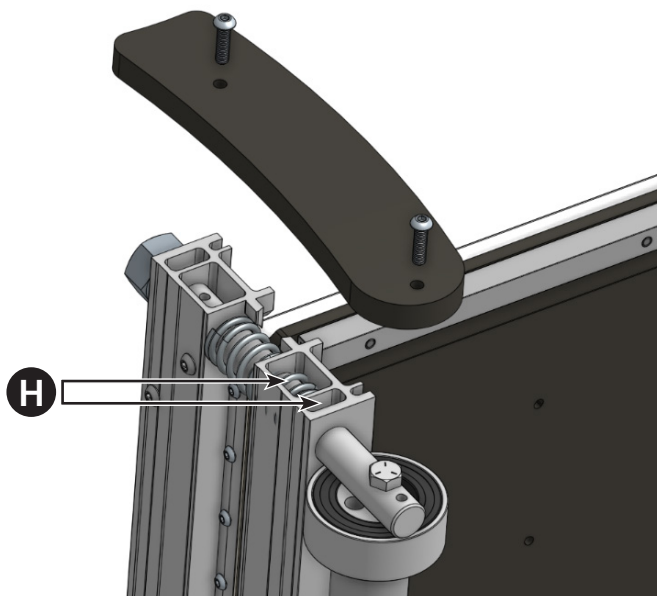
LUBRIFICATION

La cisaille Magnum EDGE est prélubrifiée à la graisse sous les chapeaux d'extrémité. Regraisser toutes les 2 années d'utilisation ou si la cisaille commence à grincer.

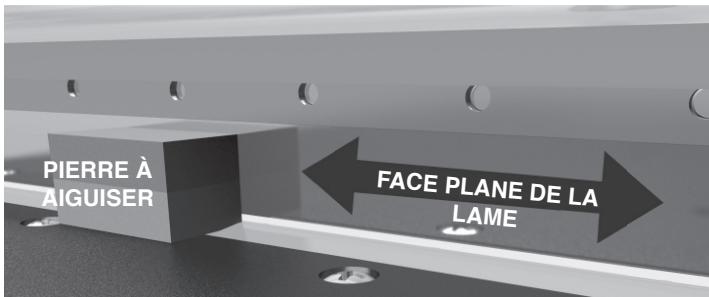
1. Bloquer le levier en position basse
2. Poser la cisaille Magnum EDGE sur le côté
3. Retirer le chapeau en dévissant les deux vis à tête ronde avec une clé « Allen » de 5 mm
4. Garnir la cavité (H) de graisse
5. Remonter le chapeau
6. Répéter l'opération de l'autre côté

LA BUTÉE DE LAME

La butée de lame peut finir par s'user. Démontez le contre-outil et retournez la butée de lame pour continuer de l'utiliser. Des pièces de rechange peuvent être achetées auprès du revendeur.



ENTRETIEN



AFFÛTER LA LAME

Pousser le levier vers le bas jusqu'à placer la lame à $\frac{1}{8}$ po (3 mm) au-dessus du plateau. Placer la pierre à aiguiser fournie contre le face plane de la lame. Glisser la pierre à aiguiser d'un bout à l'autre de la lame 3 à 4 fois de suite. Cela permet d'éliminer les ébarbures de la lame.

Lorsque la cisaille est neuve, il est conseillé de l'affûter après la 5^{ème} coupe. Affûter ensuite la lame toutes les 10 coupes jusqu'à la 100^{ème}, après quoi la lame est rodée. À partir de là, il suffit d'affûter une fois pour chaque tâche ou projet. Faire preuve de précaution lors de l'affûtage de la lame. La lame est tranchante et peut facilement provoquer des blessures. Il est conseillé de porter des gants résistants aux coupures pour affûter la lame.



Pour plus d'information sur l'affûtage de la lame, suivre le lien de ce code QR ou l'URL ci-dessous :

<https://marshalltown.com/honing-your-blade>



AIGUISER LA LAME

La lame peut être aiguisée pour rétablir un tranchant de 21 à 22 degrés. Il est important de noter que la lame doit être aiguisée uniquement sur la face biseautée, en laissant la face plane intacte.

Nous conseillons de confier le meulage à la machine exclusivement à un professionnel, car la lame doit être refroidie par un liquide durant l'opération.

CHANGER LA LAME

1. POSER LA CISAILLE À L'ENVERS

Conseil pratique : poser la cisaille au bord d'un établi solide.

2. DESSERRER LA LAME (I)

À l'aide d'une clé « Allen » de $\frac{5}{32}$ po (4 mm), retirer les vis à tête ronde six pans creux (J).

3. RETIRER LA LAME

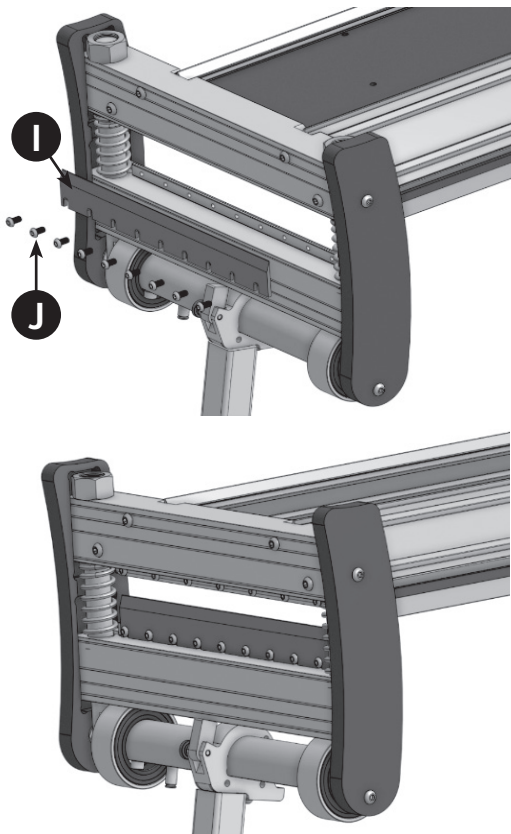
Saisir la lame aux deux extrémités et la soulever avec précaution hors de son logement.

4. REMONTER LA LAME

Tenir la lame aux deux extrémités et la placer avec précaution dans le logement de lame sur la tête de l'outil, avec la face plane de la lame du côté du plateau. S'assurer qu'elle est bien calée et qu'il n'y a aucune saleté dans le logement de lame.

5. SERRER LA LAME

À l'aide d'une clé « Allen » de $\frac{5}{32}$ po (4 mm), remettre les vis en place et les serrer en commençant par la vis du milieu.



AVERTISSEMENT



FAIRE PREUVE DE LA PLUS GRANDE PRUDENCE! La lame est très coupante.



DÉPANNAGE

Avant de dépanner, consulter le manuel :

- La cisaille est-elle correctement assemblée?
- Est-elle correctement utilisée?
- Est-elle correctement lubrifiée?
- La lame a-t-elle été affûtée conformément aux recommandations?

Contrôler visuellement la cisaille, pour vérifier l'absence d'obstructions au mouvement de la lame et de la tête :

- Présence de matières étrangères entre la lame et le contre-outil, dans les ressorts de tige ou sous la came.
- Voir si la lame présente des ébréchures, fissures ou ébarbures.
- Vérifier que les paliers sont en bon état et lubrifiés. Ils ne doivent pas tourner ou se déplacer sur la came durant l'utilisation.

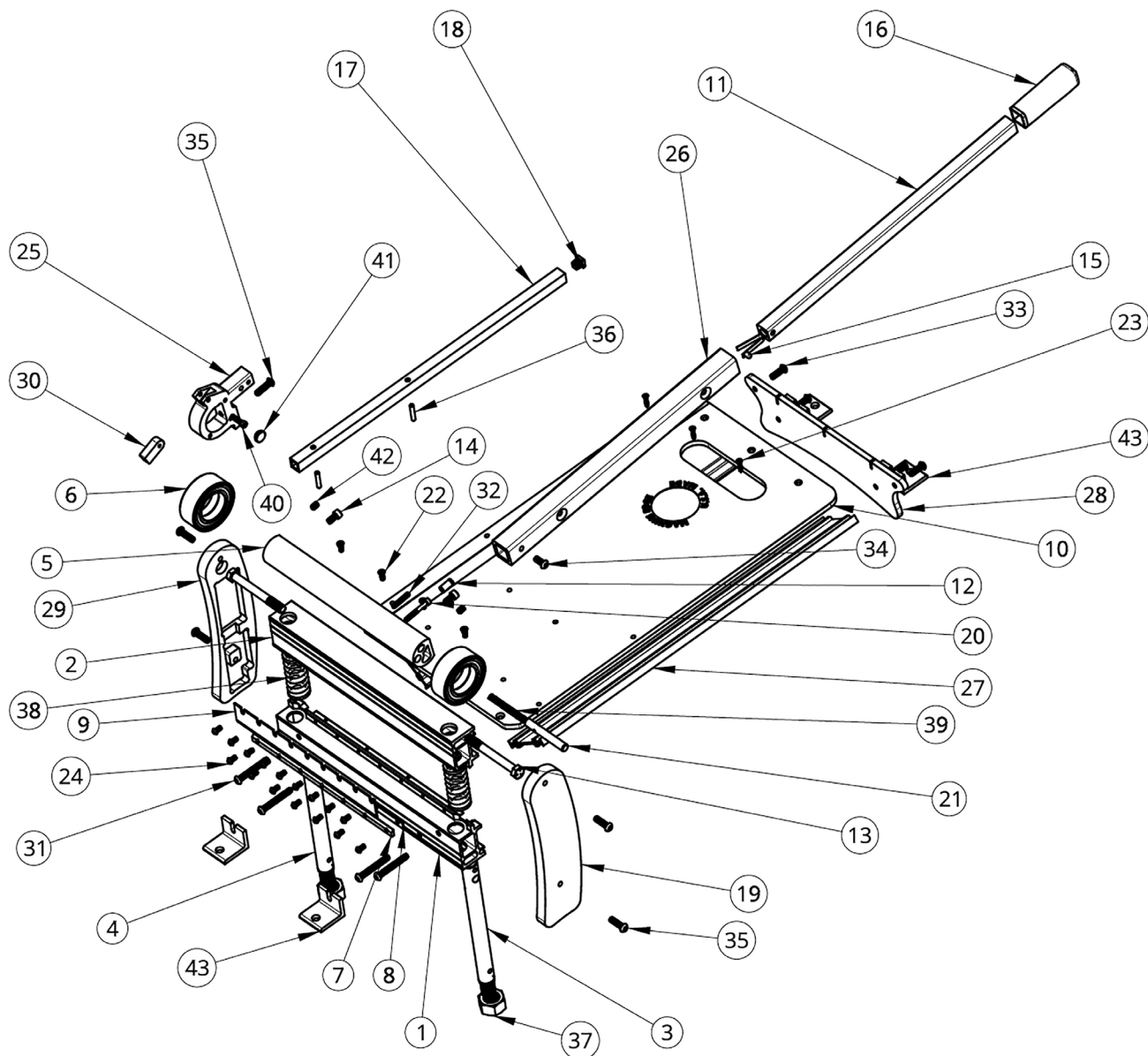
REMARQUE : Cette procédure de dépannage s'applique à toutes les cisailles Bullet. Si on n'est pas sûr qu'elle se rapporte à la cisaille, communiquer avec le service après-vente MARSHALLTOWN®.

PROBLÈME	1er CONTRÔLE	2e CONTRÔLE	3e CONTRÔLE	4e CONTRÔLE
Découpe difficile	Vérifier que la goupille de blocage de came est SORTIE. S'il y a lieu, engager les lobes de came (226)	Vérifier que le levier est COMPLÈTEMENT étendu	Vérifier l'affûtage/l'état de la lame	Contrôler et lubrifier les paliers/ axes
Ne coupe pas complètement à travers les matériaux	Voir si les orifices des axes de coulissement sont oblongs/déformés	Régler la butée de course avant (cisailles MAGNUM)	Contrôler l'usure/le jeu des paliers	Vérifier que la lame est à sa hauteur nominale
Grippage de la lame après les découpes	Contrôler/démonter et changer les butées de lame endommagées	Vérifier le serrage des vis de la lame	Démonter le contre-outil, le retourner et le remonter	Voir s'il y a des marques sur le contre-outil (dépassement de coupe)
Coupes grossières ou écrasées	Vérifier l'épaisseur du placage (Max = 1/16 po / 1,5 mm)	Vérifier l'état de la lame (ébréchures, ébarbures, cassures)	Vérifier que la lame est affûtée et aiguisée	Consulter la liste des matériaux approuvés
Les coupes ne sont pas d'équerre	Desserrer les vis du guide, aligner le guide et resserrer	Voir si les broches présentent une usure inégale	Contrôler le contact entre lame et contre-outil/ butée de lame	
Le levier ne revient pas en position ouverte	Vérifier que les axes sont lubrifiés	Graisser la surface de contact des paliers	Lubrifier les vis d'axe	Vérifier que les ressorts ne sont pas cassés
Le matériau ne passe pas dans l'espace de coupe	Vérifier l'épaisseur maximale de matériau pour la cisaille	Retourner la butée de course arrière	Vérifier que la lame est à sa hauteur nominale	Sur les modèles à deux paliers, changer le palier engagé
Goupille de blocage de came déformée/ coincée	Ne pas soulever ni transporter la cisaille par le levier	Ramener le levier lentement en position ouverte, ne pas lâcher brusquement	Extraire la goupille de blocage de came AVANT de couper	
La lame s'ébrèche	Affûter comme indiqué dans le manuel (~25 coupes, puis chaque jour)	Ne pas découper de bambou en fibres	Ne pas découper de stratifié haute pression	Vérifier l'épaisseur du placage (max = 1/16 po / 1,5 mm)
Orifices d'axe de came déformés/oblongs dans les axes de coulissement	Ne pas soulever ni transporter la cisaille par le levier	Ramener le levier lentement en position ouverte, ne pas lâcher brusquement	Vérifier l'épaisseur du placage (Max = 1/16 po / 1,5 mm)	Consulter la liste des matériaux approuvés
Ne coupe pas jusqu'au bord du matériau	Vérifier l'alignement du guide, ajuster s'il y a lieu	Ne pas « incliner » le matériau au-delà du tranchant de la lame	Vérifier que le ou les guides d'angle sont installés avec le bord LARGE vers l'intérieur (modèle 620)	

LISTE DES PIÈCES

REP.	EDI	RÉF. PIÈCE	DESCRIPTION	QTÉ
1	R7089	CON-BSE-1913	BASE MAGNUM 1913	1
2	R7216	CON-HED-1913	TÊTE MAGNUM 1913	1
3	WU948	COT-PIN-190L	AXE MAGNUM SÉRIE 1900 (GAUCHE) ZINGUÉ	1
4	WU966	COT-PIN-190R	AXE MAGNUM SÉRIE 1900 (DROIT) ZINGUÉ	1
5	R7127	CON-CAM-1913	CAME MAGNUM 1913	1
6	R7529	SUB-BNG-PCAM	PALIER DE CAME POUR CISAILLE MAGNUM	2
7	R7023	CON-ANV-EX13	CONTRE-OUTIL ES00-EX13	1
8	R7120	CON-BST-EX13	BUTÉE DE LAME ES00-EX13	1
9	WX2591	RAW-BDE-213B	LAME DE CISAILLE À BARDAGE 13 PO	1
10	R7333	CON-TBL-1913	PLATEAU MAGNUM 1913	1
11	R7207	CON-HAN-U900	LEVIER SUPÉRIEUR SÉRIE MAGNUM	1
12	WX2532	GEN-BUL-LET4	DOUILLE .40 S&W	1
13	WR1508	FAS-BLT-9037	VIS D'AXE ½ X 4½ GALVA GRADE 5 TÊTE HEXA	2
14	WR1611	FAS-SCW-9040	M8 x 16 SHCS 12.9	2
15	WR1630	GEN-SPR-0847	ÉPINGLE ÉLASTIQUE À BOUTON, ⅝	1
16	WK232	GEN-HAN-0868	POIGNÉE DE MANCHE (1 x 1 x 5 x ⅛ po)	1
17	R7184	CON-FNC-9000	GUIDE UNIVERSEL	1
18	WL795	GEN-CAP-850E	CAPUCHON ⅝ PO CARRÉ, LDPE NOIR	1
19	R7173	CON-END-190L	CHAPEAU GAUCHE MAGNUM SÉRIE 1900	1
20	WR1506	FAS-BLT-9010	VIS M6 X 45 MM SHCS	1
21	R7154	CON-CML-D900	GOUPILLE DE BLOCAGE DE CAME, ½ PO DIA.	1
22	WR1604	FAS-SCW-8569	VIS FHPMS M6-1.0 x 16 ZINGUÉE	4
23	WR1556	FAS-SCW-0010	VIS FHPMS N° 10 x 1	3
24	WR1585	FAS-SCW-5612	VIS BHSCS M6-1.0 x 12 ZINGUÉE	16
25	R7296	CON-STB-1900	EMBOUT POUR LEVIER MAGNUM SÉRIE 1900	1
26	R7191	CON-HAN-190L	LEVIER INFÉRIEUR MAGNUM SÉRIE 1900	1
27	WC1148	CON-RAL-1900	RAIL MAGNUM SÉRIE 1900	2
28	R7310	CON-TAL-1913	PIED ARRIÈRE MAGNUM 1913	1
29	R7174	CON-END-190R	CHAPEAU DROIT MAGNUM SÉRIE 1900	1
30	R7107	CON-BSS-19BS	BUTÉE DE COURSE ARRIÈRE MAGNUM SÉRIE 1900	1
31	WR1597	FAS-SCW-7525	VIS AUTO-TARAUDEUSE ⅝-18 X 2½ TORX PH	4
32	WR1610	FAS-SCW-9035	VIS SANS TÊTE, M6 x 3 mm BOUT CUVETTE	1
33	WR1596	FAS-SCW-7510	VIS AUTO-TARAUDEUSE ⅝-18 X 1 TORX PH	4
34	WR1587	FAS-SCW-5821	VIS M8-1.25 X 20 BHSCS ZINGUÉE	1
35	WR1588	FAS-SCW-5830	VIS M8-1.25 X 30 BHSCS ZINGUÉE	5
36	WR1541	FAS-PIN-0881	AXE ¼ PO X 1¼ PO	2
37	WR1524	FAS-NUT-1014	ÉCROU 1-14	2
38	WR1631	GEN-SPR-0859	RESSORT (D.I. X L) 1,046 x 3½	2
39	WR1640	GEN-SPR-D000	RESSORT, ⅝ X 3½ PO, LOQUET DE CAME	1
40	WR1737	FAS-SCW-EZ04	VIS SHCS M6 x 25 ZINGUÉE	1
41	WL814	GEN-KNB-931B	BOUTON MOLETÉ À ENFONCER M6 POUR SHCS	1
42	WR1612	FAS-SCW-9041	VIS SANS TÊTE M8 X 12 BOUT CUVETTE	2
43	R7076	CON-BRK-1600	SUPPORT DE FIXATION SUR BANC DE DÉCOUPE POUR MAGNUM EDGE	4

NOMENCLATURE DES PIÈCES



LISTE DES PIÈCES DE RECHANGE

EDI	RÉF. PIÈCE	DESCRIPTION	REPÈRE(S)
29810	213B	LAME DE CISAILLE À BARDAGE 13 PO	9
29860	847-RP	GOUPILLE ÉLAST. RECHANGE LEVIER 5/16 PO 1 CÔTÉ	15
29766	854-RP-1113	CONTRE-OUTIL DE RECHANGE, 13 PO X 0,5 PO POUR MARKSMAN ET MAGNUM EDGE	7
29768	869-RP-1113	BUTÉE DE LAME DE RECHANGE, 13 PO X 0,5 PO POUR MARKSMAN ET MAGNUM EDGE 13 PO	8
29907	868-RP-MAG	POIGNÉE DE RECHANGE, CARRÉ 1 PO X 5 PO	16
29871	856-RP-I	GUIDE DE RECHANGE, MAGNUM EDGE, 220-SID, MAGNUM SÉRIE I	17,18,36
29883	858-RP-U900	MANCHE DE LEVIER DE RECHANGE HAUT SEULEMENT (MAGNUM EDGE 13 ET SÉRIE I)	11,15,16
29905	856UPG-RP	JEU DE PALIERS DE RECHANGE, 2 ROULEMENTS À BILLES AVEC BAGUES	6
29763	860-MAG-RP	GOUPILLE DE BLOCAGE DE CAME 1/2 PO DE RECHANGE	21
WR1585	FAS-SCW-5612	VIS BHSCS M6-1.0 X 12 ZINGUÉE	24

BULLET

B Y M A R S H A L L T O W N®

104 S. 8th Ave., Marshalltown, IA
Téléphone 800-888-0127 / 641-753-0127
Télécopie 800-477-6341 / 641-753-6341
www.MARSHALLTOWN.com
WS2643revA