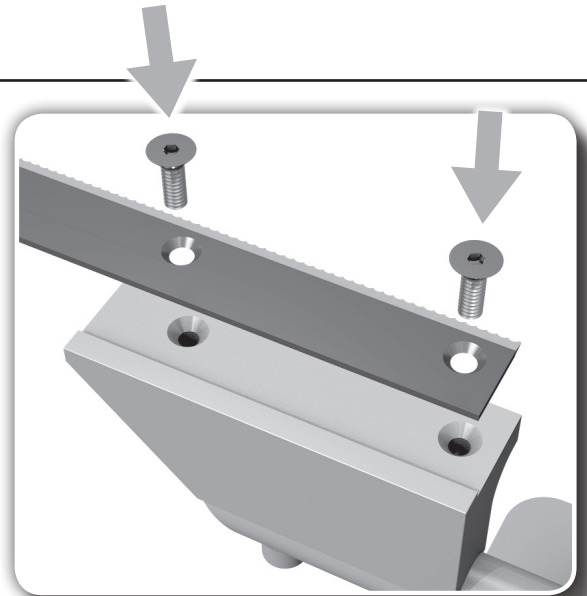




BULLET TOOLS
Cutting-Edge Solutions for Tradesmen

Super Shear™ Blade Installation

- Remove the blade attachment screws with a 3/16" allen wrench
- Align the blade (**as shown**) and fasten with blade attachment screws
- Tighten securely for proper operation



PLEASE REGISTER YOUR TOOL TO ACTIVATE YOUR WARRANTY

Warranty is null and void unless your Super Shear™ is registered within 60 days of purchase.

Registration is simple, just fill out the form at:
www.bullettools.com/support/product-registration

1 Year Warranty

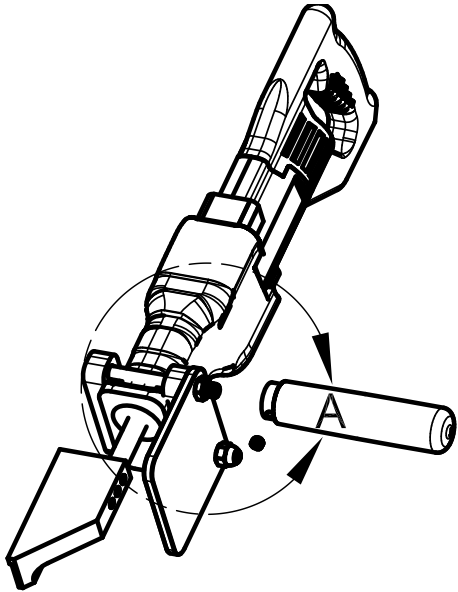
Bullet Tools™ on behalf of Sharemy Sales™ warrants only to the original purchaser of this product, when purchased from an authorized reseller or distributor, that this product will be free from defects in material and workmanship under normal use and service for one (1) year from initial purchase. This warranty includes all parts except the blade and other wear parts as indicated on this card, and cosmetic appearance (chips, dings, scratches) caused by normal use and wear. This warranty does not cover any damage due to accident, misuse, abuse or negligence. In order to recover under this limited warranty, the purchaser must register their shear with Bullet Tools™ (on behalf of Sharemy Sales™) within 60 days of purchase of the product. Bullet Tools™, at its option, shall repair or replace the defective unit covered by this warranty. To obtain warranty service, please contact Bullet Tools™ at 208-772-0175, or visit www.bullettools.com/warranty-claim for pre-authorization and further instructions. Sharemy Sales™ and Bullet Tools™ disclaim all warranties, express or implied, including all warranties of merchantability and/or fitness for a particular purpose. Additional rights may be available under the laws of your state or province. Any and all warranties, written or implied, are void with any alterations to the product. Note: Sharemy Sales™ and Bullet Tools™ shall not be liable for any special, incidental or consequential damages, including but not limited to lost revenue, lost profits, rental or replacement equipment, downtime, damage to property and third-party claims, arising out of any theory of recovery, including warranty, contract, statutory or tort.

Certain parts on your Super Shear™ wear out during normal use. These parts are not covered under warranty but are available to purchase through Bullet Tools or your nearest Milwaukee™ authorized tool repair center.

Common Wear Parts

Part No	Description
64-1622	Cordset
44-76-0210	Cord Protector
22-20-0065	Carbon Brush Assembly

T-Handle Installation on your SuperShear



Attach T-Handle **A** by screwing on to threaded stud **B**
Lock in place with set screw **C**

